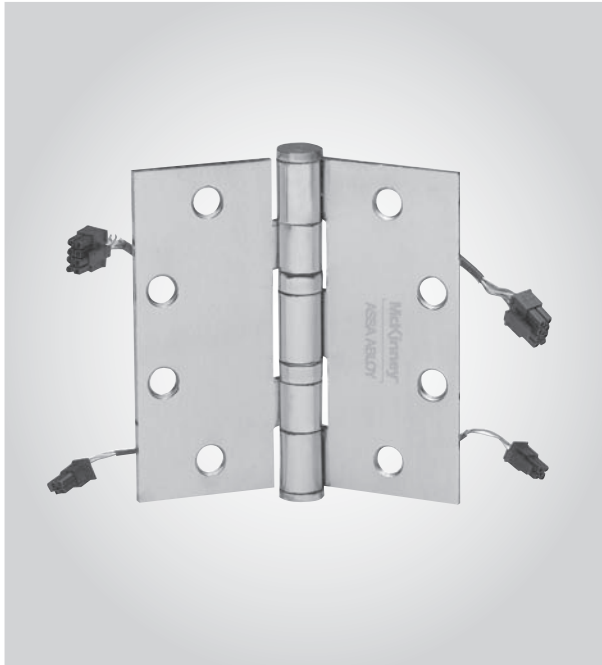


# McKinney Hinge Catalog



## McKinney Hinges:

- Standard
- Decorative
- Custom
- Specialty
- Electrified
- Continuous

© 2006-2012 McKinney Products Company

**McKinney**  
**ASSA ABLOY**

ASSA ABLOY, the global leader  
in door opening solutions

## Table of Contents

Page #

<b>Numerical Index</b>	<b>4</b>
<b>General Information</b>	<b>5-29</b>
Hinge types	7-8
Bearings	9
Knuckle Features	10
Tips	11
Pins	12
Applications / Hinge Selection	13-18
Reference Charts	19-24
Hand of Doors and Hinges	25
Hinge Swaging	26
Screws and Fasteners	27-28
Finishes	29
<b>Full Mortise Hinges</b>	<b>FM-1 - FM-17</b>
Full Mortise Plain Bearing Hinges - Two Knuckle Standard Weight Series	FM-1
Full Mortise Bearing Hinges - Two Knuckle Standard Weight Series	FM-2
Full Mortise Bearing Hinges - Two Knuckle Heavy Weight Series	FM-3
Full Mortise Plain Bearing Hinges - Three Knuckle Standard Weight Series	FM-4
Full Mortise Bearing Hinges - Three Knuckle Standard Weight Series	FM-5
Full Mortise Bearing Hinges - Three Knuckle Heavy Weight Series	FM-6
Full Mortise Institutional Hinges - Three Knuckle Heavy Weight Series	FM-7
Swing Clear Full Mortise Bearing Hinges - Three Knuckle Heavy Weight Series (Reversible)	FM-8
Full Mortise Plain Bearing Hinges - Five Knuckle Standard Weight Series	FM-19
Full Mortise Bearing Hinges - Five Knuckle Standard Weight Series	FM-10
Wide Throw Full Mortise Bearing Hinges - Five Knuckle Standard Weight Series	FM-11
Full Mortise Bearing Hinges - Five Knuckle Heavy Weight Series	FM-12
Wide Throw Full Mortise Bearing Hinges - Five Knuckle Heavy Weight Series	FM-13
Swing Clear Full Mortise Bearing Hinges - Five Knuckle Standard Weight Series (Reversible)	FM-14
Swing Clear Full Mortise Bearing Hinges - Five Knuckle Heavy Weight Series (Reversible)	FM-15
MacPro Full Mortise Hinge Standard Weight	FM-16
MacPro Full Mortise Hinge Heavy Weight	FM-17
<b>Full Mortise Anchor Hinge Sets</b>	<b>AH-1 - AH-4</b>
<b>Half Mortise Hinges</b>	<b>HM-1 - HM-7</b>
Half Mortise Plain Bearing Hinges - Five Knuckle Standard Weight Series (Reversible)	HM-1
Half Mortise Bearing Hinges - Three Knuckle Standard Weight Series (Reversible)	HM-2
Half Mortise Bearing Hinges - Five Knuckle Standard Weight Series (Reversible)	HM-3
Half Mortise Bearing Hinges - Three Knuckle Heavy Weight Series (Reversible)	HM-4
Half Mortise Bearing Hinges - Five Knuckle Heavy Weight Series (Reversible)	HM-5
Swing Clear Half Mortise Bearing Hinges - Three Knuckle Heavy Weight Series (Reversible)	HM-6
Swing Clear Half Mortise Bearing Hinges - Five Knuckle Heavy Weight Series (Reversible)	HM-7
<b>Half Surface Hinges</b>	<b>HS-1 - HS-8</b>
Half Surface Bearing Hinges - Three Knuckle Standard Weight Series (Reversible)	HS-1
Half Surface Bearing Hinges - Three Knuckle Standard Weight Series (Reversible)	HS-2
Half Surface Bearing Hinges - Five Knuckle Standard Weight Series (Reversible)	HS-3
Half Surface Bearing Hinges - Five Knuckle Standard Weight Series (Reversible)	HS-4
Half Surface Bearing Hinges - Five Knuckle Heavy Weight Series (Reversible)	HS-5
Swing Clear Half Surface Bearing Hinges - Three Knuckle Heavy Weight Series (Reversible)	HS-6
Swing Clear Half Surface Bearing Hinges - Five Knuckle Heavy Weight Series (Reversible)	HS-7
Hinge Back Plates	HS-8
<b>Full Surface Hinges</b>	<b>FS-1 - FS-5</b>
Full Surface Bearing Hinges - Three Knuckle Heavy Weight Series	FS-1
Full Surface Bearing Hinges - three Knuckle Heavy Weight Series	FS-2
Full Surface Bearing Hinges - Three Knuckle Standard Weight Series	FS-3
Full Surface Bearing Hinges - Five Knuckle Standard Weight Series	FS-4
Full Surface Swing Clear Bearing Hinges - Three Knuckle Heavy Weight Series	FS-5

<b>Spring Hinges &amp; Pivots</b>	<b>SH-1 - SH-14</b>
Full Mortise Single Acting Standard Weight Spring Hinge	SH-1
Full Mortise Single Acting Standard Weight Spring Hinge Set	SH-2
Half Surface Single Acting Standard Weight Spring Hinge	SH-3
MacPro Adjustable Spring Hinge	SH-4
Heavy Duty Double Acting Spring Butt Hinge	SH-5
Double Acting Door Spring	SH-6
Non-Template Double Acting Spring Hinge	SH-7 - SH-9
Template Double Acting Clamp Flange Spring Hinge	SH-10
Half Surface Double Acting Spring Butt Hinge	SH-11
Ajax Double Acting Horizontal Spring Pivot Hinge	SH-12
Sagless Double Acting Gate Spring Pivot Hinge	SH-13
Lightweight Double Acting Gravity Pivot Hinge	SH-14
<b>Rescue Hardware</b>	<b>RH-1 - RH-4</b>
Jamb Mount Pivot Set	RH-1
Combination Strike and Stop	RH-2
Emergency Door Stop	RH-3
Double Lipped Strike	RH-4
<b>Electrified Hinges</b>	<b>EH-1 - EH-10</b>
Electrolynx® Hinge (QC Option)	EH-1
Electrolynx® Retrofit Cables	EH-2
Concealed Circuit Electric Hinge (CC option)	EH-3
Electrolynx® Power over Ethernet	EH-4
Magnetic Monitoring Hinge (MM Option)	EH-5
Aluminum Continuous Electric Hinges (SER & ACC Option)	EH-6
Stainless Steel Pin & Barrel Continuous Electrified Hinges	EH-7
Electrical Power Transfer	EH-8
Electrified Hinge Service Kit	EH-9
Junction Box for Electric Hinges	EH-10
<b>Specialty Hinges</b>	<b>SP-1 - SP-6</b>
StormPro® Tornado Resistant Hinges	SP-1
Pocket Pivot Hinges	SP-2
Raised Barrel Full Mortise Standard and Heavy Weight Hinges	SP-3
Slip-In Full Mortise Type I and Type II Standard Weight Bearing Hinges	SP-4
Full Mortise Interim Hinge	SP-5
Residential Hinges	SP-6
<b>Aluminum Continuous Geared Hinges</b>	<b>CG-1 - CG-16</b>
Continuous Geared Hinge Guide	CG-1 - CG-4
Aluminum Continuous Hinge Clearance Dimensions	CG-5
Continuous Geared Hinge Fire Pins	CG-6
Full Mortise Edge Hung Flush Door Continuous Geared Hinges	CG-7 - CG-8
Full Mortise Edge Hung Inset Door Continuous Geared Hinges	CG-9
Full Surface Continuous Geared Hinges	CG-10
Full Mortise Edge Hung Continuous Geared Hinges	CG-11
Full Mortise Raised Gear Continuous Geared Hinges	CG-12
Half Surface Continuous Geared Hinges	CG-13
Full Surface Center Pivot Continuous Geared Hinges	CG-14
Wide Throw Full Mortise Continuous Geared Hinges	CG-15
Full Mortise Continuous Geared Safety Hinges	CG-16
<b>Pin and Barrel Hinges</b>	<b>CH-1 - CH-34</b>
Continuous Pin and Barrel Hinge Guide	CH-1 - CH-4
Continuous Pin and Barrel Hinges	CH-5 - CH-26
Edge Guards	CH-27 CH-30
Door Clearance Dimensions	CH-31 - CH-34
<b>Cross Reference</b>	<b>CR-1 - CR-10</b>
<b>QuickShip Program</b>	<b>QS-1 - QS-6</b>

## Numerical Index

451, 452, 453	SH-6	MCK-HG315	CH-15	TA2314	FM-10
1001	SH-7	MCK-HG322	CH-17	TA2371	FS-4
1400, 1414, 1458	SP-6	MCK-HG323	CH-18	TA2372	HS-4
1502, 1552	SH-1	MCK-HG326	CH-19	TA2374	HM-3
1522	SH-2	MCK-HG3505	CH-25	TA2395	FM-14
1572	SH-3	MCK-HM304	CH-9	TA2398	FM-11
3001	SH-12	MCK-HS303	CH-8	TA2714	FM-10
4007MRB, 4007RB	SH-13	MCK-HS3703	CH-8	TA2731	FM-2
8007	SH-14	MCK-WTFMHD	CG-15	TA2771	FS-4
9001	SH-9	MG-16	EH-10	TA2772	HS-4
19001	SH-10	MM Option	EH-5	TA2774	HM-3
Adjust-A-Screw™	CH-6	MP79, MPB79, MPB91	FM-16	TA2798	FM-11
ACC Option	EH-6	MPB68, MPB99	FM-17	TA2895	FM-14
BP-10, BP-11, BP-12	HS-8	MPS60, MPS679	SH-4	TA3331	FM-2
CC Option	EH-3	MTSP100	CH-30	TA3350	FM-3
CS1	SH-5	PH-4	SP-2	TA3374	HM-3
CSS-9	RH-2	QC Option	EH-1, EH-2	TA3750	FM-3
DLS-8	RH-4	QC-R002	EH-10	TA5391	AH-1
DS-6	RH-3	RB-TA2314, RB-TA2714	SP-3	TA5392	AH-2
EP-5J	RH-1	RB-T4A3386, RB-T4A3786	SP-3	TA5393	AH-3
FirePins	CG-6	SER Option	EH-6	TA5394	AH-4
H8007	SH-14	Slip-In Hinge	SP-4	TA5791	AH-1
HS1001	SH-11	SP3386	SP-1	TA5792	AH-2
HTA386-MSP	FM-7	SP3786	SP-1	TA5793	AH-3
HTB386	FM-7	T714	FM-4	TA5794	AH-4
HTB786	FM-7	T2314, T2714	FM-9	TCA2314, TCA2714	FM-10
Interim Hinge	SP-5	T2731	FM-1	TCA2771	FS-4
J3001	SH-12	T2772	HS-3	TCA2772	HS-4
K-MCK-12HD	CG-8	T2774	HM-1	TCA2774	HM-3
MCK-12HD	CG-7	TA314	FM-5	TCA3374	HM-3
MCK-14HD	CG-9	TA371	FS-3	TCA3381	FS-2
MCK-22HD	CG-10	TA372	HS-1	TCA3382	HS-5
MCK-25HD	CG-11	TA374	HM-2	TCA3384	HM-5
MCK-28HD	CG-12	TA381	FS-1	TCA3386	FM-12
MCK-35HD	CG-16	TA382	HS-2	TCA3781	FS-2
MCK-38HD	CG-16	TA384	HM-4	TCA3782	HS-5
MCK-54HD	CG-13	TA386	FM-6	TCA3784	HM-5
MCK-58HD	CG-14	TA391	AH-1	TCA3786	FM-12
MCK-EG308	CH-27	TA392	AH-2	T4A3381	FS-2
MCK-EGC308	CH-28	TA393	AH-3	T4A3382	HS-5
MCK-EGT308	CH-29	TA394	AH-4	T4A3384	HM-5
MCK-FM327	CH-20	TA714	FM-5	T4A3386	FM-12
MCK-FM3500	CH-21	TA771	FS-3	T4A3395	FM-15
MCK-FM3700	CH-5	TA772	HS-1	T4A3781	FS-2
MCK-FM300	CH-5	TA774	HM-2	T4A3782	HS-5
MCK-FS301	CH-6	TA781	FS-1	T4A3784	HM-5
MCK-FS302	CH-7	TA782	HS-2	T4A3786	FM-12
MCK-FS309	CH-12	TA784	HM-4	T4A3789	HM-7
MCK-FS321	CH-16	TA786	FM-6	T4A3795	FM-15
MCK-FS3501	CH-23	TA789	HM-6	T4A3796	HS-7
MCK-FS3502	CH-24	TA791	AH-1	T4A4795	FM-15
MCK-FS3701	CH-6	TA792	AH-2	TA4895	FM-14
MCK-FS3702	CH-7	TA793	AH-3	T6A3386, T6A3786	FM-12
MCK-HG305	CH-11	TA794	AH-4	TCA2371	FS-4
MCK-HG306	CH-11	TA795	FM-8	TCA2372	HS-4
MCK-HG310	CH-13	TA796	HS-6		
MCK-HG311	CH-14	TA797	FS-5		

McKinney Products Company designs and manufactures high quality architectural hinges for commercial use. With roots in Cincinnati OH, McKinney manufactured in the heart of the Pennsylvania steel industry for many years.

McKinney became an ASSA ABLOY Group company in 1996. With the resources of ASSA ABLOY, McKinney greatly expanded the research and development, and manufacturing capabilities. These capabilities have had the greatest impact on improving custom hinge manufacturing.

## Custom Manufacturing

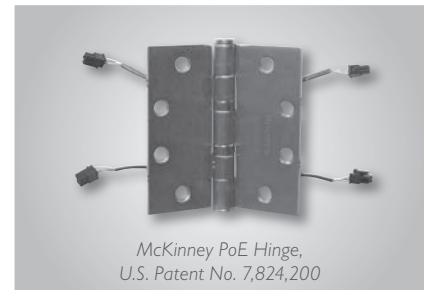
A variety of materials and hinge types can be custom manufactured in the Berlin, CT plant, including the ElectroLynx® hinges and Power over Ethernet hinges. For more information on custom manufactured hinges, call McKinney 1-800-346-7707.

## Innovation

To support today's need for electronic security applications, McKinney has developed a variety of electric hinges used in remote door monitoring and access control systems, and received a patent on the Power over Ethernet (PoE) hinge. In addition McKinney has teamed up with other ASSA ABLOY companies to offer StormPro tornado resistant solutions.




## Decorative Hinges

McKinney offers decorative architectural hinges with special tips and finishes. Designed to suite with hardware from ASSA ABLOY Group brands, these commercial decorative hinges open up a whole new world of design options for your door openings. See the McKinney Architectural Hinge Brochure for the complete offering.



**the good design studio**

The Good Design Studio - your resource for beautiful doors, frames and hardware from ASSA ABLOY Group brands. Visit [www.thegooddesignstudio.com](http://www.thegooddesignstudio.com) to learn more.

 CORBIN RUSSWIN 107 and SARGENT ME lever	 McKINNEY 2 knuckle hinge with square end tips	 ROCKWOOD small door pull
---	---	--

## LEED Certification Contribution

McKinney can help to achieve prerequisites and accumulate points in several categories and credit areas of LEED. For further information, please call 1-800-346-7707 or refer to our website [www.mckinneyhinge.com](http://www.mckinneyhinge.com).



ASSA ABLOY is a member of the USGBC and CaGBC  
U.S. Green Building Council logo is a trademark owned by the  
U.S. Green Building Council and is used with permission.



## Sales & Support



McKinney is represented by the ASSA ABLOY Door Security Solutions team.

Phone: 1-800-DSS-EZ4U (800-377-3948)  
 Address: 110 Sargent Drive, New Haven, CT 06511  
 Web site: [www.assaabloydss.com](http://www.assaabloydss.com)  
 Email: Contact your local ASSA ABLOY Door Security Solution Representative via e-mail by going to [www.assaabloydss.com](http://www.assaabloydss.com) and clicking on "Sales Support".

Customer Service Representatives are available during regular business hours at 1-800-346-7707 or email [customerservice@McKinneyhinge.com](mailto:customerservice@McKinneyhinge.com). The website is available 24/7 with the current catalogs, sell sheets and the most up-to-date templates.

McKinney has improved lead times through partnerships with other ASSA ABLOY facilities. A number of popular items are stocked and ready to ship from warehouses in Ventura CA, Pomona CA, Mason City IA, Memphis TN and Berlin CT. In addition, over 400 stock items are included in a 3-day QuickShip Program from the Berlin, CT plant. Details on the QuickShip program are available behind the QuickShip tab.

**Director of Operations:**  
 Tom Naples, 860-828-7215  
[tnaples@McKinneyhinge.com](mailto:tnaples@McKinneyhinge.com)

**Technical Product Support:**  
 Ed Soloski, 860-828-7221  
[esosloski@McKinneyhinge.com](mailto:esosloski@McKinneyhinge.com)

Visit [www.McKinneyhinge.com](http://www.McKinneyhinge.com)

## Terms & Conditions

Orders based on quotations for specific jobs will be invoiced at prices in effect on the date such orders are accepted. Other orders will be invoiced at prices in effect on the date of shipment. Errors and omissions are subject to correction on acknowledgement which in all circumstances supercedes all pricing shown herein. Accounts are net cash 30 days or with 2% discount for cash if paid on or before the 10th of the month following the date of invoice. No invoice will be rendered for less than \$50.00 net. On non-standard items a 5% over or under run constitutes a complete order.

## Terms

It is understood that McKinney may impose and charge a finance charge which is the lesser or one and one-half percent (1½) per month of the highest rate allowed by law on any amount which becomes past due and delinquent. Additionally the Customer shall be responsible for all collection costs, court costs and reasonable attorney's fees (where allowed by law) in connection with the recovery of any delinquent amount.

## Credit

Acceptance of orders and deliveries thereof shall at all times be subject to our approval of credit.

## Shipments

Once in the hands of the transportation company, the Purchaser assumes the risk of loss or damage in transit.

All goods are F.O.B. shipping point via the most economical routing, with carrier chosen by us. Full freight prepaid on shipments within Continental United States having a net value of \$1,000 or more. Spring Hinges and Contract Hinges may be combined with Continuous Gear Hinges.

## Returned Goods

No credit will be issued for returned goods unless such return is authorized. If such authorization is given by us, there will be a minimum handling charge of 45% or \$50.00 which ever is greater, for stock items shipped within a 90 day period from the date of the request. Non stock material (s/o) will be subjected to a minimum of 50% based upon select approval by the factory on an individual basis.

## Cancellations

We are unable to accept cancellations or changes on non-stock and special ordered (s/o) items once processing begins. A charge will be assessed based on manufacturing expense incurred.

## McKinney Warranty

McKinney products are guaranteed to be free of defects in both workmanship and materials for a period of one year. Any bending, defacing or modification of our product after leaving the factory will void the warranty. Liability shall be limited to the replacement of product or component determined to be defective and shall not include costs arising from removal or reinstallation of product. Cost of replacement shall not exceed original purchase price.

Written notice of damages must occur within the warranty period. A factory generated Return Goods Authorization will be provided as no goods will be accepted without prior approval. These defective goods must be returned to our factory in Berlin, CT, unless specified otherwise. Freight charges must be pre-paid unless noted otherwise.

This guarantee is only valid if the products are specified, applied and adjusted in accordance with the instructions contained in the General Information Section of the McKinney catalog and on frames and doors that are plumb and square.

## Hinge Types

McKinney offers the broadest range of full mortise hinges in a variety of metals, finishes, sizes, and weights to meet all your load bearing and security applications. They include two, three, and five knuckle styles, swing clear hinges, wide throw hinges, anchor hinges, electric hinges, institutional hinges, and pivots.

McKinney hinges conform to Government standards CS9-65 and SDI as well as the following standards approved by the Builders hardware Manufacturers / American National Standards Institute:

### **ANSI/BHMA Standard 156.1 -**

The American National Standard for Butts and Hinges

### **ANSI/BHMA Standard 156.7 -**

The American National Standard for Template Hinge Dimensions

### **ANSI/BHMA Standard 156.17 -**

The American National Standard for Self-Closing Hinges & Pivots

### **ANSI/BHMA Standard 156.18 -**

The American National Standard for Material and Finishes

## Full Mortise Hinges

McKinney offers the broadest range of full mortise hinges in a variety of metals, finishes, sizes, and weights to meet all your load bearing and security applications. They include two, three, and five knuckle styles, swing clear hinges, wide throw hinges, anchor hinges, electric hinges, institutional hinges, and pivots.

## Full Surface Hinges

Choose from regular and swing clear models for heavy weight bearing or standard weight bearing applications in a choice of metals, gauges, and sizes. Two knuckle, three knuckle, and five knuckle styles are available.

## Half Mortise Hinges

Available in a choice of metals, gauges, and sizes for a wide range of door thicknesses. You may specify plain bearing, standard weight bearing, or heavy weight bearing models. Regular and swing clear applications. Three knuckle, as well as five knuckle styles are available.

## Half Surface Hinges

Heavy weight bearing, standard weight bearing, and plain bearing hinges in a range of metals, gauges, and sizes. Regular and swing clear applications. Three knuckle, and five knuckle styles.

## Security Hinges

McKinney produces an assortment of electrical security hinges for a wide variety of control functions. Included are full mortise bearing hinges with either concealed circuitry or concealed switch. In addition, a unique, field-replaceable magnet monitoring hinge, featuring a magnetic reed concealed switch, is available. McKinney also produces full mortise institutional hinges for maximum security installations, and our full mortise single acting spring hinge is available with a Tamper Resistant Screw (TRS Option) which is screwed into the tension ratchet after proper tension has been set.

## Spring & Specialty Hinges

A full range of spring hinges are available for all types of door sizes, weights, and applications. Included are full mortise single acting hinges, single acting reverse spring hinges, full mortise double acting hinges, and half surface double acting hinges, plus our heavy duty spring butt hinge that permits doors to open 90° in either direction. In addition, McKinney produces a variety of hinges for special applications including anchor hinges, wide throw hinges, swing clear hinges, and pocket hinges.

## Electric Hinges

To meet today's need for greater security applications, McKinney developed a variety of electric hinges used in remote door monitoring and access control systems. These ElectroLynx® Hinges use convenient Molex connectors to make installation quick and simple.

Traditional wired connection electric hinges are available with 28 gauge and 18 gauge wires.

## Continuous Hinges

McKinney self-aligning continuous hinges extend the full height of the door. These hinges bond the door and frame into an integrated unit and present a streamlined, no-gap surface, affording privacy, safety, and outstanding performance. The high load capacity of these hinges makes them ideal for use in high-frequency areas where hinges are subject to abuse. The hinge design affords resistance to vandalism. McKinney aluminum continuous geared hinges are warranted for the life of the building. UL listed in both the USA and Canada up to 3 hour (A label) application. Pin and Barrel continuous hinges are available in stainless and steel.

## Miscellaneous

McKinney provides a standard duty center hung jamb mount pivot set.

Additionally, we provide emergency door stops, strikes, and stainless steel edge guards.

The most up to date templates are available on the website at [www.mckinneyhinge.com](http://www.mckinneyhinge.com)



## Hinge Bearings

McKinney offers a number of bearing choices. Door weight, height, width, thickness and frequency of operation are all factors in determining the proper hinge.

### Oil Impregnated Bearing (TA)

One piece, non-ferrous, and self-lubricating bearings ensure even longer-lasting wear and resistance to clogging, corrosion, and hinge failure. This feature is standard and supplied on all five knuckle bearing hinges.



### Ball Bearing (TB)

Ball bearings are available on all five knuckle bearing hinges.



### Concealed Bearing (TCA)

Concealed, anti-friction type bearings are available on all five knuckle bearing hinges, which provide long-lasting wear and consistency of hinge barrel design.

**Note:** All three and two knuckle bearing hinges are provided with concealed, anti-friction type bearings (designated TA).



### Plain Bearing

This is the designation for non-bearing hinges. Knuckles are machined with bearing-like surfaces to move against one another. These are not recommended for high frequency doors or doors with closing devices. These hinges are not approved for use in labeled openings.



## Number of Bearings

Standard gauge McKinney three knuckle and five knuckle bearing hinges (.123 - .160) are supplied with two bearings. These hinges are intended for use on doors subjected to average traffic in residential and light commercial construction. Four bearings can be specified (T4A2714/ T4A2314) on some five knuckle hinges.

Heavy gauge McKinney hinges (.180 - .203) are regularly furnished with four bearings. 8" five knuckle hinges supplied with six bearings. These hinges are intended for use on heavy doors and high frequency doors for all types of construction.

**Note:** One bearing carries the vertical load on two bearing hinges. On four bearing hinges, two bearings carry the load.

Door weight, height, width, thickness and frequency of operation are all factors in determining the proper hinge. Four bearing hinges should be specified whenever there is any question.

McKinney steel or stainless steel based Bearing Hinges are approved for use on Labeled Applications based upon Table 1 Reference NFPA-80 Table 6.4.3.1 Builders Hardware. See catalog page 24 for additional information.

## Hinge Knuckles

McKinney offers two, three and five knuckle hinges.

### Moderne Two Knuckle

This model offers the most security in a standard hinge. The bearing hinges have a concealed stainless steel oil-impregnated bearing. Also, an anti-friction bushing in the door leaf provides additional protection against vertical and lateral wear.

- Plain bearing hinges have an anti-friction component inserted between the two knuckles
- The Moderne two knuckle hinge is available in stainless steel
- Standard and heavy weight
- Pins in all bearing hinges are stainless steel
- Pins in plain bearing hinges are steel Stainless steel pins are available.
- Standard hinges are packed with all machine and all wood screws

- By design, pins are non-rising, non-removable and tamper protected by a flush, non-removable cap at the end of the barrel. A door can not be removed when in the closed position, thus affording maximum security. Intermediate hinges can be ordered opposite hand and installed upside down, to inhibit removal of the door in an open position
- Available non-removable door (NRD) hinges have a dowel in the barrel. One NRD hinge can be ordered per set
- Two knuckle hinges are handed
- Template hinges are made to conform to U.S. Government standards\*

### Three Knuckle

Bearing hinges have concealed vertical and lateral thrust twin anti-friction type bearings at both joints.

- Pins in all non-ferrous bearing hinges are stainless steel
- Pins in all ferrous hinges are steel
- Pins in all hinges are non-rising type
- Standard hinges are packed with all machine and all wood screws
- Hinges are reversible for right or left hand except anchor hinges and certain electric hinges
- Template hinges are made to conform to U.S. Government standards\*

### Five Knuckle

Bearing hinges are furnished with either an oil-impregnated bearing (TA)\*\* or ball bearing (TB). (TA is standard unless TB is specified.) Concealed bearings (TCA) are available.

- Pin stems in all non-ferrous bearing hinges are stainless steel
- Pins in all ferrous hinges are steel
- Pins in all hinges are non-rising type
- Template hinges are made to conform to U.S. Government standards\*

\*\*Refer to our website at [www.mckinneyhinge.com](http://www.mckinneyhinge.com) for additional information regarding McKinney bearings.

\*Template hinges are made in sizes, gauges, and with screw holes located to conform to ANSI/BHMA A156.7 and U.S. Government standards CS9-65 and SDI. Templates are available on request.

### PSF - Prison Safety Feature

A 7/8" diameter stud projects from the back of each leaf which slips into a hole in the hinge reinforcing plates in both the door and the frame. This prevents the hinge from being removed even if the screws have been sheared off. This option is available on the HTB786 steel and HTB386 stainless prison hinge only.



### SSF - Safety Stud Feature

A stud attached to the face of one leaf rotates into a cavity in the opposite leaf when the door is closed. This option interlocks the two leaves together, preventing the removal of the door even if the pin is removed.



## Hinge Tips

Select tips for additional functionality or to add to the decor.

### Button Tips (Standard)

Button Tips and plugs are standard on McKinney five knuckle hinges and can be furnished on three knuckle hinges as an option. These tips can be specified on three knuckle hinges by adding the suffix "ET" (exposed tip).



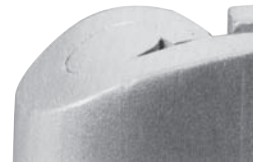
### Flush Pins (Standard)

Flush pins and plugs are furnished on our two and three knuckle hinges.



### Hospital Tips

Hospital tips which feature a one-piece non-removable pin with tapered tips. To order this option prefix our hinge number by "HT". The hospital tip feature by design makes the pin virtually non-removable.



### Decorative Tips

Decorative tips enhance your design by dressing up your hinges. Available for the two or three knuckle hinge in flat tip or round tip styles. These hinges are designed to suite with doors and hardware from the ASSA ABLOY Group Brands.



### Ball Tips

Ball Tips, made of solid brass, are available on three and five knuckle hinges for a more decorative hinge appearance. To order this option add the suffix "BT" to the hinge number.



### Steeple Tips

Steeple Tips, made of solid brass, are available on three and five knuckle hinges for a more decorative hinge appearance. To order this hinge option, add the suffix "ST" to the hinge number.



## Hinge Pins

Pins, by design, are non-rising.



### Two Knuckle

Plain Bearing pins are furnished in steel and can be ordered with stainless steel pins as an option. To order this option, add the suffix "SSP" to the hinge number. Pins on bearing hinges are furnished in stainless steel.



### Three Knuckle

Pin stems in all non-ferrous bearing hinges are stainless steel. Pins in all ferrous hinges are steel.



### Five Knuckle

Pins on all non-ferrous bearing hinges are stainless steel with button tips.

Pins on all ferrous hinges are steel. These hinges are available with optional stainless steel pins. To order these options, add the suffix "SSP"

## Non-Removable Pins

### NRP

A set screw is driven into the barrel of the hinge that is inaccessible when the door is in the closed position. To order, add the suffix "NRP" to the hinge number.

### NRD

Two knuckle hinges are available with a non-removable pin which features a dowel which is force fitted into the jamb leaf. When the door is hung, the pin is completely concealed and impossible to remove. One doweled hinge is usually furnished per set of three. To order, add the suffix "NRD" to the hinge number.

## Options

### Round Corner Option

Furnished as  $\frac{1}{4}$ " radius unless specified otherwise.  $\frac{5}{32}$ " or  $\frac{5}{8}$ " may be specified on full mortise hinges. Specify option "RC".

RCT2714



## Applications

This section will seek to address different variations of door, frame and wall conditions which you might encounter in hanging the door and the product solutions offered by McKinney.

Included are some of the more common conditions and some of the not-so-common conditions. The focus here will

be on the type of hinge to use within a given door/frame/wall condition. The following examples are not intended to cover every possible situation in which a particular type hinge might be used, but only a representative sampling. Consult the factory for any unusual installation requirements not shown here.

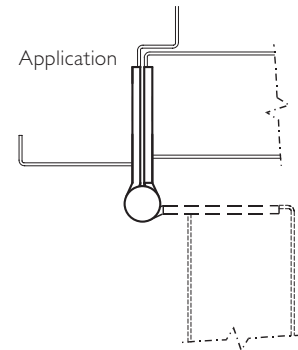
## Common Applications

### Full Mortise Hinge

The most common application is a flush door/frame/wall condition using a hollow metal frame with a standard hollow metal or wood door which is flush or  $\frac{1}{16}$ " inset from the face of the frame, with a wall which is either flush (or inset from the face of the frame). Recommended to hang door for 180° swing: Full Mortise Hinge. The same hinge could be used with a wood or aluminum frame provided the door/frame/wall conditions are flush.

**Note:** A fire labeled wood door requires sufficient hinge reinforcement to use this type hinge.

TA2714

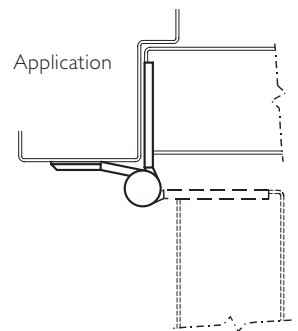


## Less Common flush door/frame/wall application

### Half Mortise Hinge

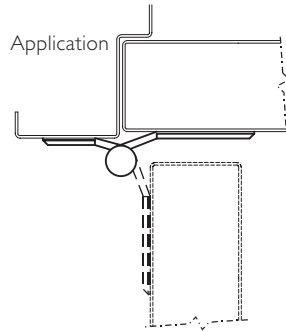
A hollow metal or wood door with channel iron frame. Recommended to hang door for 180° swing: Half Mortise Hinge.

TA2774



Less Common flush door/frame/wall application

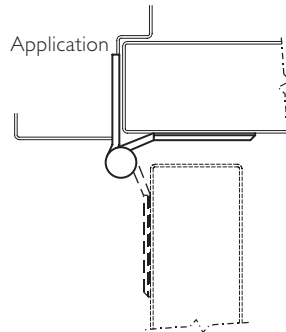
TA2771



Full Surface Hinge

A fire labeled wood door (without sufficient hinge reinforcement) or a kalamein (metal-clad wood door) with channel iron frame. Recommended to hang door for 80° swing: Full Surface Hinge. On fire labeled wood doors, the door leaf is hung using a back plate with grommet nuts and bolts. Another popular application for this type hinge is a tubular steel gate hung on a channel iron frame.

TA2772

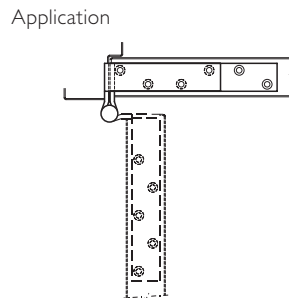


Half Surface Hinge

A fire labeled wood door (without sufficient hinge reinforcement) or a kalamein (metal-clad wood door) with channel iron frame. Recommended to hang door for 180° swing: Half Surface Hinge. On fire labeled wood doors, the door leaf is hung using a back plate with grommet nuts and bolts.

Special Applications

TA792



Anchor Hinge

On high frequency and/or heavy wood or metal doors, additional anchoring of the hinges into the door and jamb may be necessary. This is a common application in schools, hospitals or any other buildings where heavy traffic and unusual strain on the doors, jamb and hinges is experienced. Recommended to hang door for 80° swing: **Full Mortise Anchor Hinge**. Sold in sets of one full mortise anchor hinge and two heavy weight full mortise hinges.

**Note:** Anchor hinges are handed and self for either square edge doors on hinge side or beveled ( $\frac{1}{8}$ " in 2") edge doors on hinge side. Hand and bevel (McKinney uses a "5" in front of the item number to indicate  $\frac{1}{8}$ " in 2" bevel. Example: TA5792 should be specified.

## Special Applications

### Spring Hinge

Some door/frame/wall and even ceiling conditions make door closers impractical. An alternative closing device is the Spring Hinge. Generally, at least two hinges on a door must be spring hinges to provide adequate closing force.

**Note:** NFPA requires a minimum of two (2) spring hinges on fire labeled doors. With adjustable spring tension on the hinge, the closing speed of the door is determined by the amount of closing force set on the hinge. Spring hinges may not be suitable for applications requiring a closing device with non-critical closing and latching speed adjustments. With respect to meeting ADA requirements for closing devices, carpeting and/or gasketing can interfere with latching. McKinney offers both **Full Mortise** and **Half Surface Spring Hinges**. McKinney now offers a Reverse Action, 1502R, (by special request) which allows the door to remain in the open position. In addition, for high security applications, we offer the TRS option. This Tamper Resistant Screw is screwed into the tension ratchet after the proper tension has been set.

**1502**  
(Full Mortise Type)



**1572**  
(Half Surface Type)

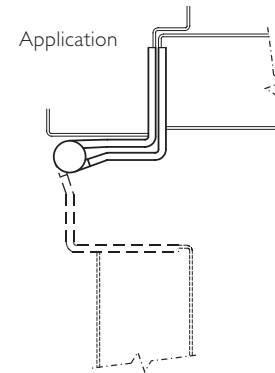


### Swing Clear Hinge

A condition which is common in barrier free openings, and especially in hospitals, is how to remove the door edge from the opening at 90° of swing with flush door/wall/ frame conditions. Recommended to hang door with swing to 80°: Full Mortise Swing Clear Hinge. The solution offered by this hinge is the offset of the hinge barrel to a location along the face of the hinge jamb, thereby removing the door edge and the barrel of the hinge as obstacles in the opening at 90° or more of swing. If the door is beveled on the hinge side, specify the appropriate beveled hinge and handing for your application\*.

\* Consult individual Swing Clear catalog pages for beveled hinge product numbers.

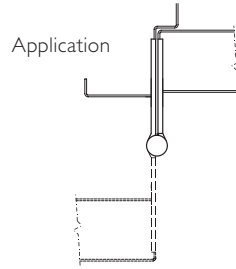
**TA2895**



Meets or exceeds  
ANSI A117.1 - 1986  
*Providing Accessibility  
and Usability for Physically  
Handicapped People*

## Non-Flush Door/Wall/Frame Applications

### TA2798



### Wide Throw Hinge

If the door is not flush with the frame, is sitting back in a deep reveal from the face of the frame with or without additional obstacles created by applied trim on the face of the frame or a deeper reveal caused by a projecting wall, and the door is to swing 180°, then a **Full Mortise Wide Throw Hinge** may be used in hanging the door.

Important in this regard is how to calculate the proper width of a wide throw hinge (rounded to the next higher whole number if result is not a whole number: e.g., 6", 7", 8", etc.)

## How To Calculate The Proper Wide Throw Hinge Width

1. If the door is sitting inside a deep frame reveal with no other obstacles (i.e., projecting trim or wall), add the depth of the reveal (distance from the face of the frame to the face of the door) to the recommended width of hinge used under flush conditions.

Example: A 6" wide (wide throw) hinge would replace a 4½" wide regular mortise hinge (used under flush conditions) if the depth of the reveal is 1½".

2. If the door is to clear projecting trim or wall and the barrel of the hinge is not obstructed, then calculate as follows:
  - (a) double the size of the door
  - (b) subtract ½" if the door thickness is less than or equal to 2¼" or subtract ¾" if the door thickness is greater than 2¼"
  - (c) add for the additional depth from the face of the obstruction to the face of the door
  - (d) add for clearance between the door and the face of the obstruction at 180° of swing (generally 1" or more).

If, for instance, you have a 1¾" thick door:

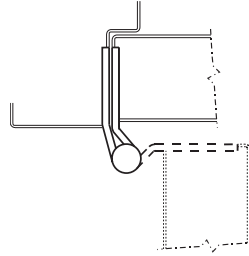
- (a) 1¾" door thickness × 2 = 3½"
- (b) less ½" equals 3"
- (c) plus 3" for the additional depth from the face of the wall to the face of the door equals 6"
- (d) plus 1" for the clearance between the door and the face of the obstruction at 180° of swing equals 7" overall hinge width.



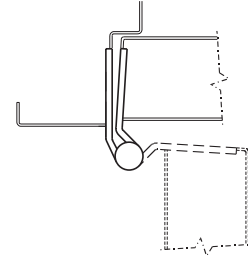
## Raised Barrel Hinge

If the door is not flush with the frame but rather is sitting back in a deep reveal from the face of the frame a **Full Mortise Raised Barrel Hinge** may be used in hanging the door. The solution offered by this hinge is the offset of the hinge barrel away from the hinge jamb. Bevel of door edge should be specified.

Raised Barrel  
Square Edge Door



Raised Barrel  
Beveled Edge Door



## Pocket Hinge

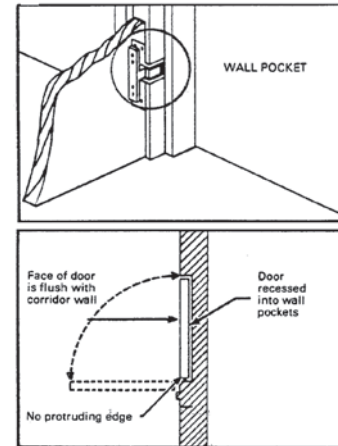
An increasingly popular door, frame and wall condition in corridors is cross-corridor or double egress pairs of doors standing in wall pockets at 90° of swing, so as to be clear of the initial opening and out of the corridor altogether. Solution: **Pocket Hinge**.

As corridor doors are often fire labeled, the hardware must be approved for use in fire labeled openings. Solution: the **McKinney PH-4 Pocket Hinge**. U.L. approved for use on both hollow metal and steel covered composite fire doors rated up to 3 hours and on wood core type fire doors rated 20 minutes.

PH-4



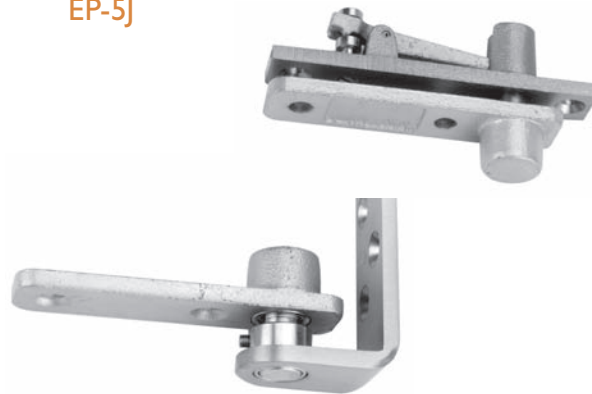
Application



## Pivots

Recommended for use on average frequency double acting doors in schools, hospitals, institutions and other public buildings. Not for use on labeled doors and frames.

EP-5j



### Full Mortise

Edge Hung Flush Door  
MCK-12HD Series



### Full Surface

Swing Clear  
MCK-22HD Series



### Full Mortise

Edge Hung Inset Door  
MCK-14HD Series



### Full Mortise

Edge Hung  
MCK-25HD Series



Hardwiring Made Easy™



## Aluminum Continuous Geared Hinges

McKinney provides aluminum continuous geared hinges for application on wood, aluminum, and hollow metal doors and frames. Mortising is not necessary as all leaves fit on the edge or the face of the door.

The continuous geared hinge has no pin; instead it uses two geared sections with a continuous cap concealing the gears and the wear surfaces.

This design minimizes lateral wear and virtually eliminates door sag. The gear design keeps each leaf in perfect alignment for the full length of the hinge, causing the door to swing evenly from top to bottom.

McKinney Continuous Geared Hinges can be electrically modified in three ways:

- SER- Serviceable/Removable hinges are provided in three sections allowing the current carrying cable to be serviced or replaced without removing the door from the frame
- ACC- Accessible feature is provided in a single section with leaves modified to pivot at the location of the current carrying cable to allow access to the cables and connected wiring
- QC- Quick Connect hinges are provided in a single section with the wires already run through the hinge

### MCK-FM300

Stainless Edge Mounted  
Application  
MCK-FM3700 Series Steel



### Stainless Steel

MCK-FS302 or  
MCK-FS3702  
Steel Surface Applied



## Steel and Stainless Steel Continuous Hinges

McKinney steel and stainless continuous hinges are the clear choice for institutional, industrial or any other high frequency applications where maximum door support is required. Consistent high quality manufacturing and performance levels make door aligning easy for maintenance free, long lasting results. A full complement of electrical options is available. Many models are windstorm rated.

### MCK-HM304 or MCK-FS3702

Steel Half Mortise  
Stainless Application



### Edge Guards

Stainless Steel



**Note:** Not all products shown. Refer to pages CG-1 thru CH-36 for additional information on our Continuous Hinges

**Quick Reference Chart**

Door, Frame Wall Conditions	Frame Type	Door Type	Hinge Type	Variation of Basic Hinge Type Shown Below (See Note 2)	McKinney Example (See Note 3)
Flush*	Wood or Metal	Wood or Metal	Full Mortise	(not applicable)	TA2714
Flush*	Channel Iron	Wood or Metal	Half Mortise	(not applicable)	TA2774
Flush*	Channel Iron	Kalamein or Fire Labeled Wood Door (See Note 1)	Full Surface	(not applicable)	TA2771
Flush*	Metal	Kalamein or Fire Labeled Wood Door (See Note 1)	Half Surface	(not applicable)	TA2772
Flush*	Metal	Heavy and/or High Frequency Wood or Metal	Anchor	Full Mortise	TA792
Flush*	Wood or Metal	Wood or Metal Requiring Alternative Closing Device	Spring	Full Mortise Half Surface	1502, 1572
Flush*	Wood or Metal	Wood or Metal Required to Clear Opening at 90° of Swing	Swing Clear	Full Mortise	TA2895
Deep Frame Reveal	Wood or Metal	Wood or Metal with Maximum Swing of 90° to 110°	Raised Barrel	Full Mortise	RBTA2714
Deep Frame Reveal with or without Trim on the Face of the Frame or a Projecting Wall	Wood or Metal	Wood or Metal with swing to 180°	Wide Throw	Full Mortise	TA2798
Wall Pocket at 90° of swing	Metal	Wood or Metal	Pocket Hinge	(not applicable)	PH-4

\* Includes door and frame conditions of up to 1/8" inset

**Notes:**

1. Fire labeled wood door without sufficient hinge reinforcement. Door leaf is hung using back plate with grommet nuts and bolts.
2. The four basic hinge types are full mortise, half mortise, full surface and half surface. Variations (i.e. anchor, swing clear, raised barrel, wide throw) are available in the basic types shown above but may not be available in all basic hinge types. Consult individual catalog pages for availability.
3. Consult individual catalog pages for available sizes, weights, materials, versions, bearings and finishes. Hinges for doors beveled (1/8" in 2") on hinge side use 5000 series for 3K hinges (e.g. TA5792); use 4000 series for 5K hinges (e.g., TA4895).

## Door Weights

The following wood and metal door weights are provided as a convenience to catalog users. They are approximate and will vary slightly among door manufacturers. The weight of the door hardware should be added to the weights listed below. For any thickness not shown, the individual manufacturer's catalog should be consulted.

### Door Weights\* (Based upon 3' 0" x 7' 0" Door Size)

Hollow Metal Door Weights by Gauge		Wood Door Weights by Door Thickness		
Door Gauge —	# Per Square Foot			# Per Square Foot
20 Gauge Door	4	Door Thickness	1 <sup>3</sup> / <sub>8</sub> "	13/4"
18 Gauge Door	5	Particle/Mineral Core	4.75	5.25
16 Gauge Door	6	Stave Core Wood	3.75	4.25
14 Gauge Door	7	Hollow Core Wood	1.3	1.5

\* Weights do not include hardware.

## How to Determine the Proper Hinge Width

Knowing the door thickness and trim projection, use the following formula for determining minimum hinge width for all full mortise hinges:

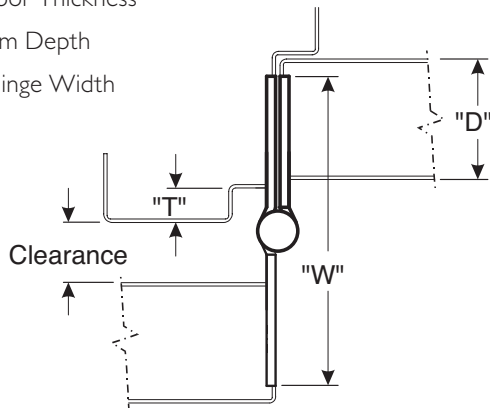
1. Door thickness
2. Backset
3. Required Clearance
4. Inset

**Door thickness - Backset x 2 + Required Clearance + Inset (if applicable) = the proper hinge width**

D = Door Thickness

T = Trim Depth

W = Hinge Width



For doors up to 2<sup>1</sup>/<sub>2</sub>" thick: **W = (2 x D) + T**

For doors 2<sup>1</sup>/<sub>2</sub>" to 3" thick: **W = (2 x D) + (2 x T) + 1/4"**

The table below indicates the trim clearance provided by hinges of specified widths on flush doors, not inset, of standard thickness. For doors of other thicknesses, apply the proper formula.

#### Trim Clearance

Door Thickness	Hinge Width	Max Clearance Provided
3/8"	3 1/2"	1 1/4"
	4"	1 3/4"
3/4"	4"	1"
	4 1/2"	1 1/2"
	5"	2"
	6"	3"
2"	4 1/2"	1"
	5"	1 1/2"
	6"	2 1/2"
2 1/4"	5"	1"
	6"	2"

The hinge widths of half mortise, half surface and full surface hinges are standard, depending on the hinge length. Note that in these hinge types, the amount of clearance available is determined by the amount of offset and not by the hinge width.

#### Recommended Size of Hinges per Door (Wood or Metal)

Door Thickness in Inches (mm)	Door Width in Inches (mm)	Hinge Height in Inches (mm)	Hinge Gauge
1 3/8" (35)	Up to 36" (914)	3 1/2" (89)	.123
1 3/8" (35)	Over 36" (914)	4" (102)	.130
1 3/4" (44)	Up to 36" (914)	4 1/2" (114)	.134
1 3/4" (44)	36" – 48" (914 – 1219)	5" (127)	.134
1 3/4" (44)	Over 48" (1219)	6" (152)	.160
2" – 2 1/2" (51 – 64)	Up to 42" (1067)	5" (127) HW*	.190
2" – 2 1/2" (51 – 64)	Over 42" (1067)	6" (152) HW*	.203

\* Heavy Weight hinges should be used on all extra heavy doors or those exposed to high frequency use. Consult the factory for doors wider than 3'0". Five knuckle heavy weight hinges are four bearing.

The following gauges of metal may apply:

Heavy weight 4 1/2" (114) high = .180 gauge

Heavy weight 5" (127) high = .190 gauge

Heavy weight 6" (152) high = .203 gauge

**Note:** Five knuckle 8" (203) high hinges have six bearings.

**Note:** On hinge size the dimension shown is the hinge height. Where full mortise or other hinges with two dimensions are used, the first dimension given is always the height. The second dimension is the hinge width when open.

**Expected Frequency of Door Operations**

Installation Type	Expected Frequency*		
	Daily	Yearly	
<b>Commercial</b>			
Commercial Store Entrance	5,000	1,500,000	High
Office Building Entrance	4,000	1,200,000	
Theater Entrance	1,000	450,000	
School Entrance	1,250	225,000	
School Restroom Door	1,250	225,000	
Store or Bank Entrance	500	150,000	
Office Building Restroom Door	400	118,000	Average
School Corridor Door	80	15,000	
Office Building Corridor Door	75	22,000	
Store Restroom Door	60	18,000	
<b>Residential</b>			
Entrance	40	15,000	Low
Restroom Door	25	9,000	
Corridor Door	10	3,600	
Closet Door	6	2,200	

\* One cycle = one complete opening and closing.

**Note:** We recommend that bearing hinges be used on all above categories other than "Residential".

**Recommended Number of Hinges per Door 3'0" Wide (Wood or Metal)**

Door Height in Inches (mm)	# of Hinges Per Door
Up to 60 (1524)	2
60 – 90 (1524 – 2286)	3
90 – 120 (2286 – 3048)	4

**Note:** An additional hinge is required for each additional 30".

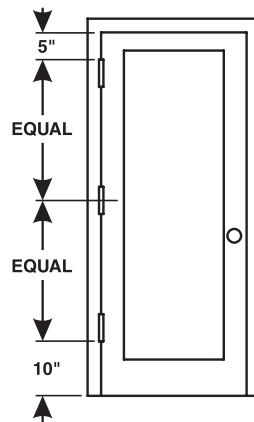
## Underwriters' Laboratories Requirements

The requirements of the Underwriters' Laboratories, Inc., for fire door hardware are determined by door label, which in turn is established by the location of the opening. The following are the classifications of Underwriter's Laboratories, Inc.

Door Situation	Location
Class A	Fire Walls
Class B	Vertical Shafts
Class C	Corridor & Room Partitions
Class D	Exterior Walls (severe fire exposure)
Class D	Exterior Fire Escapes (severe fire exposure)
Class E	Exterior Wall (moderate fire exposure)
Class E	Exterior Fire Escapes (moderate fire exposure)

On all public and some private heavy construction three hinges are required for each door. This practice is standard under U.S. Government specifications and is required under most building codes and Fire Underwriters' specifications.

Three hinges assure proper door alignment and enable other hardware to function properly. There is less door warping and less hinge wear. On light wood doors the alignment problem is as great as on heavy doors so less than three hinges should never be considered.



The top of the top hinge should be 5" from the jamb header.

The bottom of the bottom hinge should be 10" from the finished floor.

The center of the center hinge should be equidistant from the other two hinges.

**EXCEPTION:**

The McKinney Anchor Hinge mounts at the very top of the door. On doors over 7'6" high, four hinges are required.

**Table 1 Reference NFPA-80  
Table 6.4.3.1 2010 Builders Hardware Mortise, Surface, and Full-Length Hinges,  
Pivots or Spring Hinges for Swinging Doors**

Mortise and Surface Hinges, Pivots or Spring Hinges for Swinging Doors. Doors up to 60" (1.52 m) in height shall be provided with two hinges and an additional hinge for each additional 30" (0.76 m) of door height or fraction thereof. The distance between hinges shall be permitted to exceed 30" (0.76 m). Where spring hinges are used, at least two shall be provided.

Maximum Door Rating Hr.	Maximum Door Size		Minimum Hinge Size		Type Hinge
	Width ft. (m)	Height ft. (m)	Height in. (mm)	Thickness in. (mm)	
<b>For 1¾" (44.5mm) or Thicker Doors</b>					
3" or less	4 (1.22)	10 (3.05)	4½" (114.3)	0.180 (4.57)	Steel, Mortise or Surface
3" or less	4 (1.22)	8 (2.44)	4½" (114.3)	0.134 (3.40)	Steel, Mortise or Surface
1½" or less	3½ (0.96)	8 (2.44)	6" (152.4)	0.225 (5.72)	Steel-Olive Knuckle or Paumelle
3" or less	4 (1.22)	10 (3.05)	4" (101.6)	0.225 (5.72)	Steel Pivots (including top, bottom and intermediate)
1½" or less	3 (0.91)	5 (1.52)	4" (101.6)	0.130 (3.30)	Steel, Mortise or Surface
1½" or less	2 (0.61)	3 (0.91)	3" (76.2)	0.092 (2.34)	Steel, Mortise or Surface
3" or less	3 (0.91)	7 (2.13)	4½" (114.3)	0.134 (3.40)	Steel, Mortise or Surface (labeled self closing spring type)
3" or less	3 (0.91)	7 (2.13)	4" (101.6)	0.105 (2.67)	Steel, Mortise or Surface (labeled self closing spring type)
<b>For 1⅝" (34.93mm) Doors</b>					
3" or less	3 (0.91)	7 (2.13)	3½" (88.9)	0.123 (3.12)	Steel, Mortise or Surface
3" or less	2⅝" (0.81)	7 (2.13)	3½" (88.9)	0.105 (2.67)	Steel, Mortise (spring closing)

**6.4.3\* Builders Hardware.**

**6.4.3.1 Hinges.** Hinges shall be as specified in individual door manufacturer's published listings or Table 6.4.3.1.

**6.4.3.1.1 Doors up to 60 in. (1.52 m) in height shall be provided with two hinges and an additional hinge for each additional 30 in. (0.76 m) of door height or fraction thereof.**

**6.4.3.1.1.1** The distance between hinges shall be permitted to exceed 30 in. (0.76 m).

**6.4.3.1.1.2** Where spring hinges are used, at least two shall be provided.

**6.4.3.1.2** All hinges or pivots, except spring hinges, shall be of the ball bearing type.

**6.4.3.1.2.1** Hinges or pivots employing other antifriction bearing surfaces shall be permitted if they meet the requirements of ANSI/ BHMA A156.1, Standard for Butts and Hinges.

**6.4.3.1.2.2** Spring hinges shall be labeled and shall meet the requirements of ANSI/BHMA A156.17, Standard for Self Closing Hinges & Pivots, Grade 1.

**6.4.3.1.3** Hinges 4½ in. (114 mm) high and 0.180 in. (4.57 mm) thick shall be permitted for use on wide and heavy doors or doors that are subjected to heavy use or unusual stress.

**6.4.3.1.4** Fire doors with hinges of lighter weight that are not of the ball bearing type shall be permitted under the following conditions:

- (1) They are part of a listed assembly.
- (2) They meet the test requirements of ANSI/ BHMA A156.1, Standard for Butts and Hinges.
- (3) They have been tested to a minimum of 350,000 cycles.

**6.4.3.1.5** Pivot sets made up of components that are smaller or of a lighter gauge than that shown in Table 6.4.3.1 shall be permitted to be used, provided they meet the requirements of ANSI/BHMA A156.4, Standard for Door Control (Closers), and are in accordance with the manufacturer's label service procedures.

Reproduced with permission from NFPA 80-2010, Fire Doors and Other Opening Protectives, Copyright 2009, National Fire Protection Association. This reprinted material is not the complete and official position of the NFPA on the referenced subject, which is represented only by the standard in its entirety.



## Hand of Doors

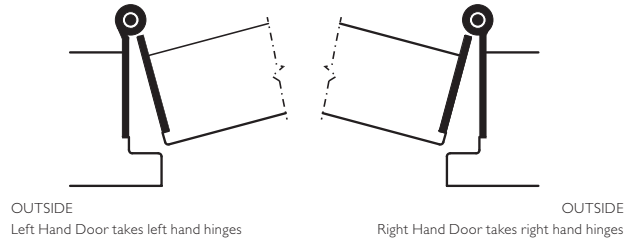
All doors are handed - right or left. The following illustrations indicate clearly this "handing" as it is understood within the hardware industry.

Hand of door is determined from the outside.

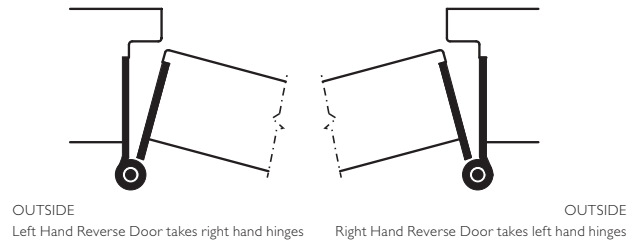
When standing on outside of door and hinges are on the right, it is right hand. When hinges are on the left, it is left hand.

A double acting door opens from you and toward you, therefore it is not called reverse like a single acting door.

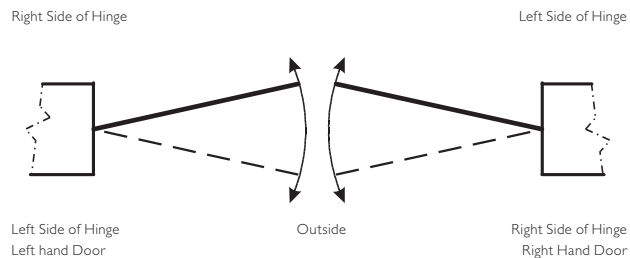
### Regular Doors Opening In



### Reverse Doors Opening Out



### Double Acting Doors

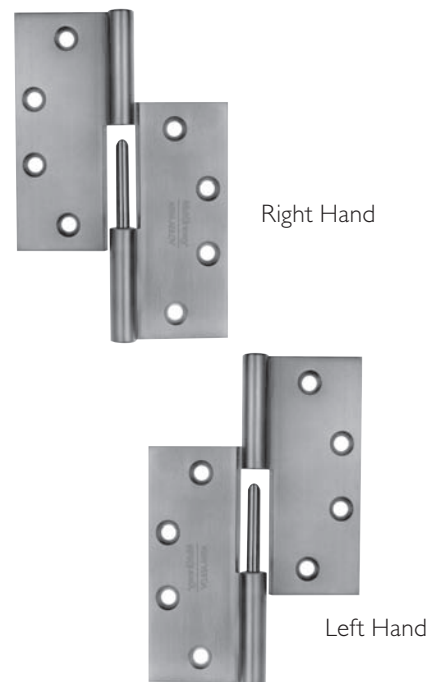


## Hand of Hinges

All doors are handed - right or left. The following illustrations indicate clearly this "handing" as it is understood within the hardware industry.

A simple method of determining the hand of all loose joint hinges is to open the hinge full with the countersunk screw holes in view. If the hinge can be held by the right hand leaf and it does not fall apart, it is a right hand (RH) hinge. If the hinge must be held by the left hand leaf to keep it from falling apart, it is a left hand (LH) hinge.

The hand of hinges may be specified by suffixing the symbols RH or LH to the catalog number.



## Hinges Swaging

Swaging is the slight offset in the hinge leaves which permits them to close to a parallel position as the door closes.

Hinge Opened



Hinge Closed



## Full Mortise

All hinges for full mortise applications are swaged. Normal swaging on standard and heavy gauge hinges provides a clearance of  $\frac{1}{16}$ " when the leaves are parallel.

Hinge Opened



Hinge Closed



## Full Surface

Hinges for full surface applications are not swaged. Blank hinges are for full surface welded application and are always furnished "flat back" unless specified otherwise when ordered.

Hinge Opened



Hinge Closed



## Beveled Door

Hinges for beveled door applications have one leaf swaged at an angle of  $3\frac{1}{2}^\circ$  ( $\frac{1}{8}$ " in 2") to maintain proper door and frame clearance when doors are beveled on the hinge side. Specify handing on these hinges.

Hinge with One Leaf Swaged



## One Leaf Swaged

When only one leaf is swaged, the non-swaged leaf is approximately  $\frac{1}{16}$ " shorter as a standard. For all hollow metal door and frame applications, both leaves must be the same width. On your order, specify "**Leaves must be equal**".

Hinge with One Leaf Swaged Flat



## One Leaf Swaged Flat

When only one leaf is swaged flat, the non-swaged leaf is approximately  $\frac{3}{32}$ " shorter as a standard. For all hollow metal door and frame applications, both leaves must be the same width. On your order, specify "**Leaves must be equal**".

## Screws and Fasteners

### Templated Screw Holes

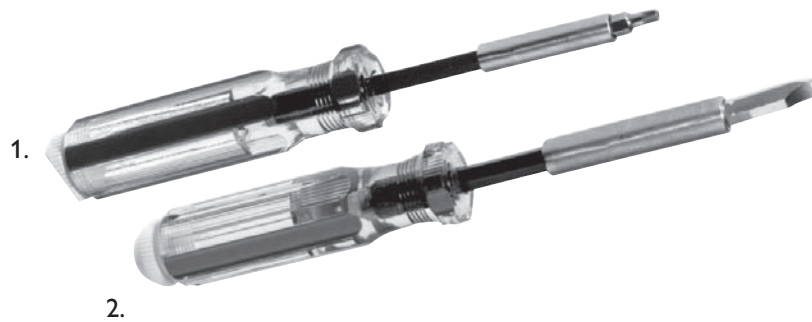
McKinney hinges are manufactured with templated screw hole locations and tolerances which conform to the American National Standards Institute (ANSI/BHMA A-156.7). McKinney publishes a complete listing of templates which list the overall hinge size, material gauge and exact screw hole location. The most current templates are found on our website [www.mckinneyhinge.com](http://www.mckinneyhinge.com). These templates should be consulted prior to any door or frame preparation.



### Torx Driver & Spanner Driver

Shown:

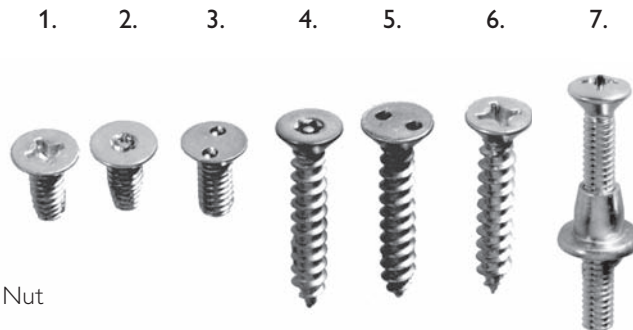
1. Torx Bit and Driver
2. Spanner Bit and Driver



### Machine and Wood Screws

Shown:

1. Phillips Head Machine Screw
2. Torx Head Machine Screw
3. Spanner Head Machine Screw
4. Torx Head Wood Screw
5. Spanner Head Wood Screw
6. Phillips Head Wood Screw
7. Oval Phillips Head Machine Screw with Grommet Nut



**Full Mortise Hinges**

Size of Hinge	Machine Screws	Wood Screws
3½" × 3½"*	½" × 10-24	1 × 10
3½" × 5"	½" × 10-24	1 × 10
4" × 4"*	½" × 12-24	1¼ × 12
4½" × 4"	½" × 12-24	1¼ × 12
4½" × 4½"	½" × 12-24	1¼ × 12
4" × 6"	½" × 12-24	1¼ × 12
4" × 7"	½" × 12-24	1¼ × 12
4½" × 6"	½" × 12-24	1¼ × 12
4½" × 7"	½" × 12-24	1¼ × 12
4½" × 8"	½" × 12-24	1¼ × 12
5" × 4"	½" × 12-24	1¼ × 12
5" × 4½"	½" × 12-24	1¼ × 12
5" × 5"	½" × 12-24	1¼ × 12
5" × 7"	½" × 12-24	1¼ × 12
5" × 8"	½" × 12-24	1½ × 14
6" × 5"	½" × ¼"-20	1½ × 14
6" × 6"	½" × ¼"-20	1½ × 14
8" × 6"	½" × ¼"-20	1½ × 14
8" × 8"	½" × ¼"-20	1½ × 14

**\*1400-1414-1458 Residential Guide**

Size of Hinge	Wood Screws
3½" × 3½"	3/4 × 9
4" × 4"	1 × 9

**Packing:**

All full mortise hinges are packed all machine × all wood screws.

**Half Mortise Hinges**

Size of Hinge	Machine Screws
4½"	½" × 12-24
5"	½" × 12-24
6"	½" × ¼-20

**Swing Clear Hinges**

Size of Hinge	Machine Screws	Wood Screws
4½"	½ × 12-24	1¼ × 12
5"	½ × 12-24	1¼ × 12

**Full Surface Hinges**

Size of Hinge	Machine Screws	Thru Bolts & Grommet Nut
4½"	½ × 12-24	2 × ¼-20
5"	½ × 12-24	2 × ¼-20
6"	½ × ¼-20	2 × ¼-20

**Half Surface Hinges**

Size of Hinge	Machine Screws	Thru Bolts & Grommet Nut
4½"	½ × 12-24	2 × ¼-20
5"	½ × 12-24	2 × ¼-20
6"	½ × ¼-20	2 × ¼-20

McKinney hinge finishes meet or exceed the American National Standards for materials and finishes (ANSI/BHMA - A156.18 and BHMA 1301).

### McKinney and B.H.M.A. Finish Symbols

B.H.M.A. Code	Finish Description	Base Material	McKinney Equivalent
600	Primed for Painting	Steel	USP
602	Zinc Plated, Commercial	Steel	US2C
603	Zinc Plated, Governmental	Steel	US2G
605	Bright Brass	Brass	US3
606	Dull Brass	Brass	US4
609	Dull Brass, Oxidized	Brass	US5
610	Brass, Nickel Oxidized, Bright Relieved	Brass	US7
611	Bright Bronze	Bronze	US9
612	Dull Bronze	Bronze	US10
613	Antiqued Bronze, Oiled	Bronze	US10B
616	Dull Bronze, Oxidized	Bronze	US11
618	Bright Nickel Plated	Brass, Bronze	US14
619	Dull Nickel Plated	Brass, Bronze	US15
620	Nickel Oxidized Relieved	Brass, Bronze	US15A
621	Half Polished Iron, Smooth	Brass, Bronze	US17A
623	Statuary Bronze, Light	Bronze	US20
624	Statuary Bronze, Dark	Bronze	US20A
625	Bright Chromium	Brass, Bronze	US26
626	Dull Chromium	Brass, Bronze	US26D
629	Polished Stainless Steel	Stainless Steel 300 Series	US32
630	Dull Stainless Steel	Stainless Steel 300 Series	US32D
632	Bright Brass	Steel	US3
633	Dull Brass	Steel	US4
636	Dull Brass, Oxidized	Steel	US7
637	Bright Bronze	Steel	US9
639	Dull Bronze	Steel	US10
640	Antique Bronze, Oiled	Steel	US10B
643	Dull Bronze, Oxidized	Steel	US11
645	Bright Nickel Plated	Steel	US14
646	Dull Nickel Plated	Steel	US15
647	Nickel Oxidized Relieved	Steel	US15A
648	Half Polished Iron, Smooth	Steel	US17A
649	Statuary Bronze, Light	Steel	US20
650	Statuary Bronze, Dark	Steel	US20A
651	Bright Chromium	Steel	US26
652	Dull Chromium	Steel	US26D

Every effort is made by McKinney to furnish finishes which do comply with the U.S. Standard. However, we cannot guarantee that our finish will match other manufacturers' finish. Where a special finish or a matched finish is required, a sample must be submitted with the order.



As part of their promise to provide innovative solutions to their customers, certain ASSA ABLOY Group brands offer the MicroShield® technology, a silver-based antimicrobial coating designed to inhibit the growth of bacteria.

- Suppresses microbes
- Long lasting
- Non-toxic
- Available on McKinney stainless hinges
- Lasts for the life of the hardware
- Specify MicroShield®



Agion's silver antimicrobial has been certified for its material content, recyclability, and manufacturing characteristics, Cradle To Cradle Certified<sup>CM</sup> products meet established standards for human health, environmental health and recyclability.

Cradle To Cradle Certified<sup>CM</sup> is a certification mark of MBDC.

### McKinney Custom Finishes

Description	Symbol
Aluminum	AP
White	PW
Bright Brass w/ Clear Powder Coat	3-C
Dull Brass w/ Clear Powder Coat	4-C
Dull Nickel w/ Clear Powder Coat	15-C
Dark Brown	D-3
Black	D-4
Custom Powder Coat	*
Prime Coat	P
Stainless Steel with Clear Powder	CPC
Antique Bronze, Over Stainless	32D x 10B
MicroShield®	32DBIO

\* Consult the factory for availability of these finishes.

MicroShield® is a registered trademark of Yale Security Inc., an ASSA ABLOY Group company.



## Two Knuckle Standard Weight Series

The full mortise plain bearing hinge is recommended for low frequency doors

- Two knuckle design has a clean finished look
- For doors without closing devices
- Specify right or left hand when ordering
- Decorative tips are available
- For available finishes see page 29

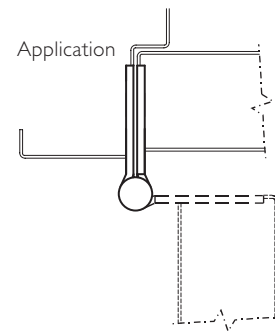
**T2731**



No.	ANSI Cross Reference	Base Material	Weight
T2731	A8133	Steel	STD

### Specifications

Inches	mm	Gauge	No. of Holes	Fasteners	
				Machine	Wood
3½" x 3½"	88.9 x 88.9	.123	6	½ x 10-24	1 x 10
4" x 4"	101.6 x 101.6	.130	8	½ x 12-24	1¼ x 12
4½" x 4"	114.3 x 101.6	.134	8	½ x 12-24	1¼ x 12
4½" x 4½"	114.3 x 114.3	.134	8	½ x 12-24	1¼ x 12



### Options:

Code	Description
NRD	Non-Removable Door – one set screwed hinge furnished per set
RC	Round Corner - ¼" radius furnished unless specified otherwise
SSF	Safety Stud Feature

## Two Knuckle Standard Weight Series

Recommended for standard weight, medium frequency doors, or doors with closing devices

- Full mortise bearing hinges are commonly used for the flush door/frame/wall application
- Two knuckle design has a clean finished look
- Specify right or left hand when ordering
- Decorative tips are available
- For available finishes see page 29

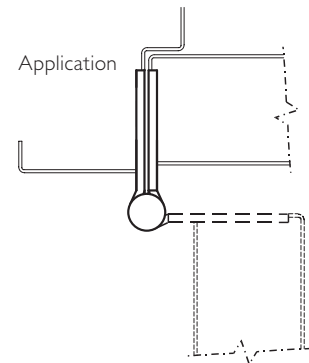
TA3331  
TA2731



No.	ANSI Cross Reference	Base Material	Weight
TA3331	A5112	Stainless	STD
TA2731	A8112	Steel	STD

### Specifications

Inches	mm	Gauge	No. of Holes	Fasteners	
				Machine	Wood
3½" x 3½"	88.9 x 88.9	.123	6	½ x 10-24	1 x 10
4" x 4"	101.6 x 101.6	.130	8	½ x 12-24	1¼ x 12
4½" x 4"	114.3 x 101.6	.134	8	½ x 12-24	1¼ x 12
4½" x 4½"	114.3 x 114.3	.134	8	½ x 12-24	1¼ x 12
5" x 4½"	127 x 114.3	.146	8	½ x 12-24	1¼ x 12
5" x 5"	127 x 127	.146	8	½ x 12-24	1¼ x 12



### Options:

Code	Description
NRD	Non-Removable Door-one set screwed hinge furnished per set
RC	Round Corner - ¼" radius furnished unless specified otherwise
SSF	Safety Stud Feature
MM	Magnetic Monitoring
QC	ElectroLynx® hinge 2,4,6 or 8 wire available
CC	Concealed Circuit 2,4,6 or 8 wire available

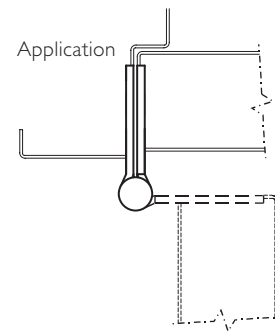


## Two Knuckle Heavy Weight Series

Recommended for use on high frequency and/or heavy wood or metal doors in schools, hospitals or other public buildings where heavy traffic is experienced.

- Use for the common flush door/frame/wall application
- Heavy weight hinges should be used on all extra heavy doors or those exposed to high frequency use
- Two knuckle design has a clean finished look
- For Beveled Edge (where doors are beveled on hinge side) specify TA5350 or TA5750
- Specify right or left hand when ordering
- For available finishes see page 29

TA3350  
TA3750



No.	ANSI Cross Reference	Base Material	Weight
TA3350	A5111	Stainless	HVY
TA3750	A8111	Steel	HVY

### Specifications

Inches	mm	Gauge	No. of Holes	Fasteners	
				Machine	Wood
4½" x 4½"	114.3 x 114.3	.180	8	½ x 12-24	1¼ x 12
5" x 4½"	127 x 114.3	.190	8	½ x 12-24	1¼ x 12
5" x 5"	127 x 127	.190	8	½ x 12-24	1¼ x 12

### Options:

Code	Description
NRD	Non-Removable Door – one set screwed hinge furnished per set
RC	Round Corner - ¼" radius furnished unless specified otherwise
SSF	Safety Stud Feature
MM	Magnetic Monitoring
QC	ElectroLynx® hinge 2, 4, 6 or 8 wire available
CC	Concealed Circuit 2, 4, 6 or 8 wire available

## Three Knuckle Standard Weight Series

Recommended for low frequency door without closing devices

- Use for the common flush door/frame/wall application
- The full mortise plain bearing hinge is recommended for low frequency doors
- Decorative tips are available
- For available finishes see page 29

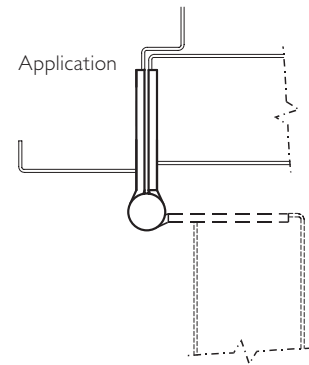
**T714**



No.	ANSI Cross Reference	Base Material	Weight
T714	A8133	Steel	STD

### Specifications

Inches	mm	Gauge	No. of Holes	Fasteners	
				Machine	Wood
3½" x 3½"	88.9 x 88.9	.123	6	½ x 10-24	1 x 10
4" x 4"	101.6 x 101.6	.130	8	½ x 12-24	1¼ x 12
4½" x 4"	114.3 x 101.6	.134	8	½ x 12-24	1¼ x 12
4½" x 4½"	114.3 x 114.3	.134	8	½ x 12-24	1¼ x 12
5" x 4½"	127 x 114.3	.146	8	½ x 12-24	1¼ x 12
5" x 5"	127 x 127	.146	8	½ x 12-24	1¼ x 12



### Options:

Code	Description
NRP	Non-Removable Pin
ET	Exposed Tip
RC	Round Corner - ¼" radius furnished unless specified otherwise
SSF	Safety Stud Feature

## Three Knuckle Standard Weight Series

The full mortise bearing hinge is recommended for standard weight, medium frequency doors, or doors with closing devices.

- Use for the common flush door/frame/wall application
- Decorative tips are available
- For available finishes see page 29

TA314  
TA714

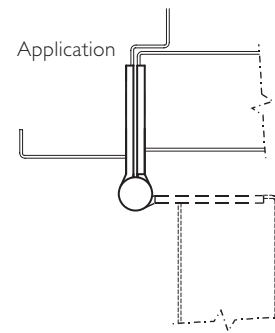


No.	ANSI Cross Reference	Base Material	Weight
TA314	A5112	Stainless	STD
TA314	A2112	Brass	STD
TA714	A8112	Steel	STD

### Specifications

Inches	mm	Gauge	No. of Holes	Fasteners	
				Machine	Wood
3½" × 3½"*	88.9 × 88.9	.123	6	½ × 10-24	1 × 10
4" × 4"*	101.6 × 101.6	.130	8	½ × 12-24	1¼ × 12
4½" × 4"	114.3 × 101.6	.134	8	½ × 12-24	1¼ × 12
4½" × 4½"	114.3 × 114.3	.134	8	½ × 12-24	1¼ × 12
5" × 4½"*	127 × 114.3	.146	8	½ × 12-24	1¼ × 12
5" × 5"*	127 × 127	.146	8	½ × 12-24	1¼ × 12

\* Not available in Brass Base material



### Options:

Code	Description
NRP	Non-Removable Pin
ET	Exposed Tip
RC	Round Corner - ¼" radius furnished unless specified otherwise
HT	Hospital Tip
SSF	Safety Stud Feature
QC	ElectroLynx® Hinge - 2, 4, 6, 8, 10 or 12 wire available
CC	Concealed Circuit - 2, 4, 6, 8, 10 or 12 wire available
CC-18	Concealed Circuit - 2, 4, 6, 8 or 10 wire available (2-18AWG wires and the remainder 28AWG wires)
MM	Magnetic Monitoring

## Three Knuckle Heavy Weight Series

Recommended for use on high frequency and/or heavy wood or metal doors in schools, hospitals or other public buildings where heavy traffic is experienced.

- Heavy weight hinges should be used on all extra heavy doors or those exposed to high frequency use
- Use for the common flush door/frame/wall application
- Beveled Edge - where doors are beveled on hinge side specify TA5386 or TA5786
- For available finishes see page 29

TA386  
TA786



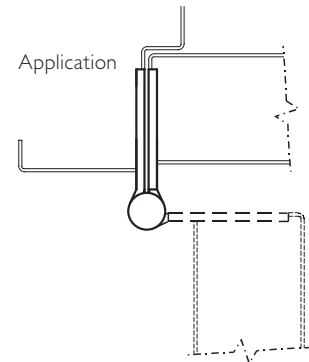
No.	ANSI Cross Reference	Base Material	Weight
TA386	A5111	Stainless	STD
TA386	A2111	Brass	STD
TA786	A8111	Steel	STD

### Specifications

Inches	mm	Gauge	No. of Holes	Fasteners	
				Machine	Wood
4½" x 4"	114.3 x 101.6	.180	8	½ x 12-24	1¼ x 12
4½" x 4½"	114.3 x 114.3	.180	8	½ x 12-24	1¼ x 12
5" x 4½"	127 x 114.3	.190	8	½ x 12-24	1¼ x 12
5" x 5"*	127 x 127	.190	8	½ x 12-24	1¼ x 12
6" x 5"*	152.4 x 127	.203	10	½ x ¼-20	1½ x 14
6" x 6"*	152.4 x 152.4	.203	10	½ x ¼-20	1½ x 14
8" x 6"**	203.2 x 152.4	.225	16	½ x ¼-20	1½ x 14

\* Not available in Brass Base material

\*\* 8 x 6 furnished in Steel only (hole pattern differs from photo shown)



### Options:

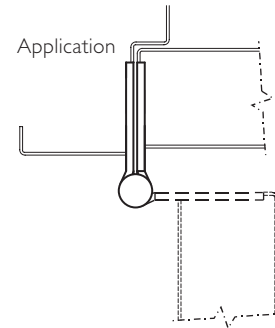
Code	Description
NRP	Non-Removable Pin
ET	Exposed Tip
RC	Round Corner - ¼" radius furnished unless specified otherwise
HT	Hospital Tip
SSF	Safety Stud Feature
QC	ElectroLynx® Hinge - 2, 4, 6, 8, 10 or 12 wire available
CC	Concealed Circuit - 2, 4, 6, 8, 10 or 12 wire available
CC-18	Concealed Circuit - 2, 4, 6, 8 or 10 wire available (2-18AWG wires and the remainder 28AWG wires)
MM	Magnetic Monitoring

## Three Knuckle Hospital Tip Heavy Weight Series

Recommended for use on high frequency and/or heavy wood or metal doors in schools, hospitals or other public buildings where security requirements exist.

- Institutional hinges feature hospital tipped ends and concealed bearing assemblies
- The prison safety feature is available on non-electric hinges
- MSP-A is a set of three hospital tipped hinges with concealed bearing assemblies. Top and bottom hinge have prison safety feature and safety studs
- MSP-B is a set of three hospital tipped hinges with concealed bearing assemblies. Top and bottom hinge have prison safety feature and safety studs. Center hinge is furnished with QC-8 ElectroLynx® connectors. Specify 4,6,8,10,12 wires
- Heavy weight hinges should be used on all extra heavy doors or those exposed to high frequency use
- Use for the common flush door/frame/wall application
- Beveled Edge - where doors are beveled on hinge side specify HTB5386 or HTB5786
- Torx Pin Head Fasteners Available
- For available finishes see page 29

**HTB386**  
**HTB786**



No.	ANSI Cross Reference	Base Material	Weight
HTB386	A5111	Stainless	HVY
HTB786	A8111	Steel	HVY
HTA386 MSP-A*	A5111	Stainless	HVY
HTA386 MSP-B*	A5111	Stainless	HVY

\*Set of three hinges

### Specifications

Inches	mm	Gauge	No. of Holes	Fasteners	
				Machine	Wood
4½" x 4½"	114.3 x 114.3	.180	8	½ x 12-24	1¼ x 12
5" x 4½"	127 x 114.3	.190	8	½ x 12-24	1¼ x 12

### Options:

Code	Description
PSF	Prison Safety Feature
MM	Magnetic Monitoring*
QC	ElectroLynx® Hinge 2, 4, 6, 8, 10 or 12 wire available. (10 and 12 wire not available with PSF)
CC	Concealed Circuit 2, 4, 6, 8, 10 or 12 wire available. (10 and 12 wire not available with PSF)

\* Not Available with PSF option

### Three Knuckle Heavy Weight Series (Reversible)

Recommended for use on high frequency and/or heavy wood or metal doors in schools, hospitals or other public buildings where heavy traffic is experienced.

- Hinge allows for maximum clearance for passage of beds, tables or other equipment through doorway
- Pressed steel jambs require no special reinforcing
- Steel base materials
- For Beveled Edge, where doors are beveled on hinge side, specify TA5795
- For available finishes see page 29

**TA795**

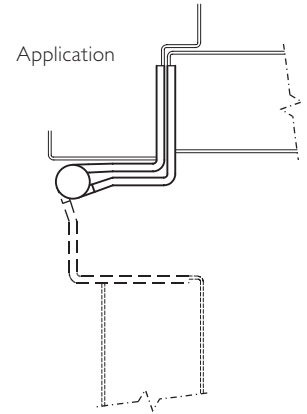


No.	ANSI Cross Reference	Base Material	Weight
TA795	A8121	Steel	HVY

**Specifications**

Inches	mm	Gauge	No. of Holes	Fasteners	
				Machine	Wood
4½"	114.3	.180	8	½ x 12-24	1¼ x 12
5"	127	.190	8	½ x 12-24	1¼ x 12

**Note:** The pin is held in place by an NRP set screw which allows the hinge to be reversible



**Options:**

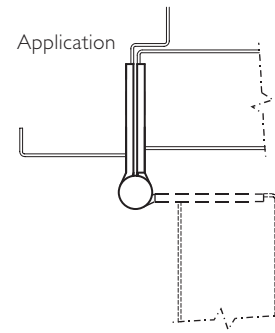
Code	Description
RC	Round Corner - ¼" radius furnished unless specified otherwise
HT	Hospital Tip
SSF	Safety Stud Feature
MM	Magnetic Monitoring

## Five Knuckle Standard Weight Series

The full mortise plain bearing hinge is recommended for low frequency doors.

- Use for the common flush door/frame/wall application
- Available on the QuickShip program
- T2314 stainless steel base material- For available finishes see page 29
- T2714 steel base material- For available finishes see page 29
- For Beveled Edge, where doors are beveled on hinge side, specify T4314 or T4714

**T2314**  
**T2714**



No.	ANSI Cross Reference	Base Material	Weight
T2314	A5133	Stainless	STD
T2714	A8133	Steel	STD

### Specifications

Inches	mm	Gauge	No. of Holes	Fasteners	
				Machine	Wood
3½" × 3½"*	88.9 × 88.9	.123	6	½ × 10-24	1 × 10
4" × 3½"	101.6 × 88.9	.130	8	½ × 12-24	1¼ × 12
4" × 4"	114.3 × 114.3	.130	8	½ × 12-24	1¼ × 12
4½" × 4½"	114.3 × 114.3	.134	8	½ × 12-24	1¼ × 12
5" × 4½"	127 × 114.3	.146	8	½ × 12-24	1¼ × 12
5" × 5"	127 × 127	.146	8	½ × 12-24	1¼ × 12
6" × 6"	152.4 × 152.4	.160	10	½ × ¼-20	1½ × 14

\*Available with reverse hole pattern

### Options:

Code	Description
NRP	Non-Removable Pin
RC	Round Corner - ¼" radius furnished unless specified otherwise
HT	Hospital Tip
BT	Ball Tip
ST	Steeple Tip
SSF	Safety Stud Feature

## Five Knuckle Standard Weight Series

Recommended for standard weight, medium frequency doors, or doors with closing devices.

- Use for common flush door/frame/wall applications
- For Beveled Edge, where doors are beveled on hinge side, specify TA4314 or TA4714
- For available finishes see page 29

**TA2314**  
**TA2714**

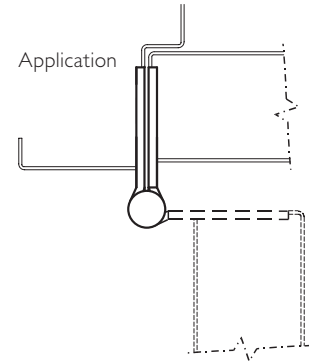


No.	ANSI Cross Reference	Base Material	Weight
TA2314	A5112	Stainless	STD
TA2314	A2112	Brass	STD
TA2714	A8112	Steel	STD

### Specifications

Inches	mm	Gauge	No. of Holes	Fasteners	
				Machine	Wood
3½" x 3½"*	88.9 x 88.9	.123	6	½ x 10-24	1 x 10
4" x 4"*	101.6 x 101.6	.130	8	½ x 12-24	1¼ x 12
4½" x 4"	114.3 x 101.6	.134	8	½ x 12-24	1¼ x 12
4½" x 4½"	114.3 x 114.3	.134	8	½ x 12-24	1¼ x 12
5" x 4½"*	127 x 114.3	.146	8	½ x 12-24	1¼ x 12
5" x 5"*	127 x 127	.146	8	½ x 12-24	1¼ x 12
6" x 6"*	152.4 x 152.4	.160	10	½ x ¼-20	1½ x 14

\* Not available in Brass base material



### Options:

Code	Description
<b>NRP</b>	Non-Removable Pin
<b>TB</b>	Ball Bearing
<b>TCA</b>	Concealed Bearing
<b>RC</b>	Round Corner - ¼" radius furnished unless specified otherwise
<b>HT</b>	Hospital Tip
<b>BT</b>	Ball Tip
<b>ST</b>	Steeple Tip
<b>SSF</b>	Safety Stud Feature
<b>QC</b>	ElectroLynx® Hinge - 2, 4, 6, 8, 10 or 12 wire available
<b>CC</b>	Concealed Circuit - 2, 4, 6, 8, 10 or 12 wire available
<b>CC-18</b>	Concealed Circuit - 2, 4, 6, 8 or 10 wire available (2-18AWG wires and the remainder 28AWG wires)
<b>MM</b>	Magnetic Monitoring

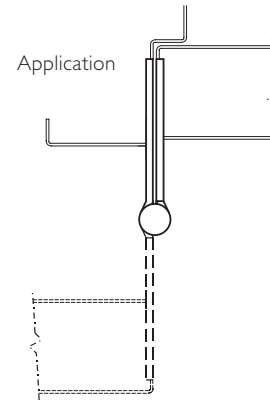


## Five Knuckle Standard Weight Series

Wide throw hinges are utilized where a door is recessed from the face of the frame.

- The wide throw full mortise bearing hinge is recommended for use on standard weight, medium frequency doors where it is necessary to open the door around a large reveal
- For information on calculating the proper width of a wide throw hinge see page 16
- For Beveled Edge, where doors are beveled on hinge side, specify TA4314 or TA4714
- For available finishes see page 29

**TA2398**  
**TA2798**



No.	ANSI Cross Reference	Base Material	Weight
TA2398	A5112	Stainless	STD
TA2798	A8112	Steel	STD

### Specifications

Inches	mm	Gauge	No. of Holes	Fasteners	
				Machine	Wood
3½" x 5"	88.9 x 127	.123	6	½ x 10-24	1 x 10
3½" x 6"	88.9 x 152.4	.123	6	½ x 10-24	1 x 10
4" x 6"	114.3 x 152.4	.130	8	½ x 12-24	1¼ x 12
4" x 7"	101.6 x 177.8	.130	8	½ x 12-24	1¼ x 12
4½" x 6"	114.3 x 152.4	.134	8	½ x 12-24	1¼ x 12
4½" x 7"	114.3 x 177.8	.134	8	½ x 12-24	1¼ x 12
4½" x 8"	114.3 x 203.2	.134	8	½ x 12-24	1¼ x 12
5" x 7"	127 x 177.8	.146	8	½ x 12-24	1¼ x 12
5" x 8"	127 x 203.2	.146	8	½ x 12-24	1¼ x 12

### Options:

Code	Description
NRP	Non-Removable Pin
TB	Ball Bearing
TCA	Concealed Bearing
RC	Round Corner - ¼" radius furnished unless specified otherwise
HT	Hospital Tip
BT	Ball Tip
ST	Steeple Tip
SSF	Safety Stud Feature
QC	ElectroLynx® Hinge - 2, 4, 6, 8, 10 or 12 wire available*
CC	Concealed Circuit - 2, 4, 6, 8, 10 or 12 wire available*
CC-18	Concealed Circuit - 2, 4, 6, 8 or 10 wire available (2-18AWG wires and the remainder 28AWG wires)*
MM	Magnetic Monitoring

\* Maximum 6" width

## Five Knuckle Heavy Weight Full Mortise Series

Recommended for use on high frequency and/or heavy wood or metal doors in schools, hospitals or other public buildings where heavy traffic is experienced.

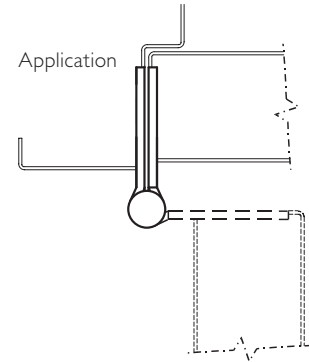
- Heavy weight hinges should be used on all extra heavy doors or those exposed to high frequency use
- T4A3386- Stainless steel base or available in brass base material polished
- T4A3786- Steel base material
- For Beveled Edge, where doors are beveled on hinge side, specify T4A4386 or T4A4786
- For available finishes see page 29

**T4A3386**  
**T4A3786**



**Note:** 8" x 6" and 8" x 8" have six bearings. Specify T6B3386 or T6B3786

No.	ANSI Cross Reference	Base Material	Weight
T4A3386	A5111	Stainless	HVY
T4A3386	A2111	Brass	HVY
T4A3786	A8111	Steel	HVY



### Specifications

Inches	mm	Gauge	No. of Holes	Fasteners	
				Machine	Wood
4½" x 4"	114.3 x 101.6	.180	8	½ x 12-24	1¼ x 12
4½" x 4½"	114.3 x 114.3	.180	8	½ x 12-24	1¼ x 12
5" x 4½"	127 x 114.3	.190	8	½ x 12-24	1¼ x 12
5" x 5"*	127 x 127	.190	8	½ x 12-24	1¼ x 12
6" x 5"*	152.4 x 127	.203	8	½ x ¼-24	1¼ x 14
6" x 6"*	152.4 x 152.4	.203	10	½ x ¼-20	1½ x 14
8" x 6"*	203.2 x 125.4	.203	16	½ x ¼-20	1½ x 14
8" x 8"*	203.2 x 203.2	.203	16	½ x ¼-20	1½ x 14

\* Not available in brass base material

### Options:

Code	Description
NRP	Non-Removable Pin
T4B	Ball Bearing
TCA	Concealed Bearing
RC	Round Corner - ¼" radius furnished unless specified otherwise
HT	Hospital Tip
BT	Ball Tip
ST	Steeple Tip
SSF	Safety Stud Feature
RB	Raised Barrel*
QC	ElectroLynx® Hinge - 2, 4, 6, 8, 10 or 12 wire available
CC	Concealed Circuit - 2, 4, 6, 8, 10 or 12 wire available
CC-18	Concealed Circuit - 2, 4, 6, 8 or 10 wire available (2-18AWG wires and the remainder 28AWG wires)
MM	Magnetic Monitoring

\* Refer to page SP-3 for Raised Barrel

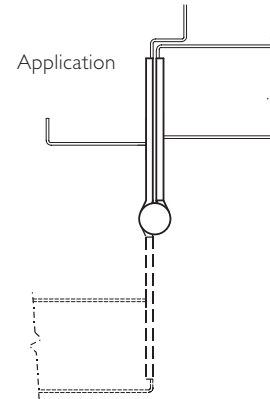
## Five Knuckle Heavy Weight Wide Throw Series

Recommended for use on high frequency and/or heavy wood or metal doors in schools, hospitals or other public buildings where heavy traffic is experienced and it is necessary to open the door around a large reveal.

**T4A3386**

**T4A3786**

- Heavy weight hinges should be used on all extra heavy doors or those exposed to high frequency use
- T4A3386- Stainless steel base
- T4A3786- Steel base material
- For Beveled Edge, where doors are beveled on hinge side, specify T4A4386 or TA4786
- For available finishes see page 29



No.	ANSI Cross Reference	Base Material	Weight
T4A3386	A5111	Stainless	HVY
T4A3786	A8111	Steel	HVY

### Specifications

Inches	mm	Gauge	No. of Holes	Fasteners	
				Machine	Wood
4½" x 5"	114.3 x 127	.180	8	½ x 12-24	1¼ x 12
4½" x 6"	114.3 x 152.4	.180	6	½ x 10-24	1¼ x 12
4½" x 7"	114.3 x 177.8	.180	8	½ x 12-24	1¼ x 12
4½" x 8"	114.3 x 203.2	.180	8	½ x 12-24	1¼ x 12
5" x 6"	127 x 152.4	.190	8	½ x 12-24	1¼ x 12
5" x 7"	127 x 177.8	.190	8	½ x 12-24	1¼ x 12
5" x 8"	127 x 203.2	.190	8	½ x 12-24	1¼ x 12

### Options:

Code	Description
NRP	Non-Removable Pin
T4B	Ball Bearing
TCA	Concealed Bearing
RC	Round Corner - ¼" radius furnished unless specified otherwise
HT	Hospital Tip
BT	Ball Tip
ST	Steeple Tip
SSF	Safety Stud Feature
QC	ElectroLynx® Hinge - 2, 4, 6, 8, 10 or 12 wire available*
CC	Concealed Circuit - 2, 4, 6, 8, 10 or 12 wire available*
MM	Magnetic Monitoring

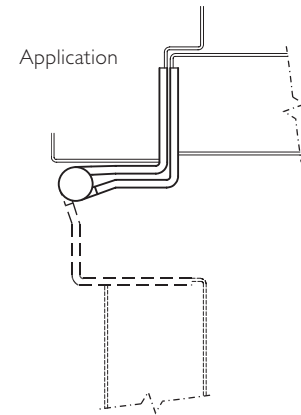
\* QC and CC options available on hinges up to 6" wide

## Five Knuckle Standard Weight Swing Clear Series (Reversible)

Swing Clear Hinges create barrier free openings by moving the hinge barrel and door edge out of the way.

- Recommended for use on standard weight, medium frequency doors in schools, hospitals or other public buildings
- Hinge allows for maximum clearance for passage of beds, tables or other equipment through the doorway
- Meets ADA Requirements and ANSI A117.1-1986
- Pressed steel jambs require no special reinforcing
- Pin is held in place by an NRP set screw, which allows the hinge to be reversible
- For Beveled Edge, where doors are beveled on hinge side, specify TA4895 or TA4395
- For available finishes see page 29

TA2395  
TA2895



No.	ANSI Cross Reference	Base Material	Weight
TA2395	N/A	Stainless	STD
TA2895	A8122	Steel	STD

### Specifications

Inches	mm	Gauge	No. of Holes	Fasteners	
				Machine	Wood
4½"	114.3	.134	8	½ × 12-24	1¼ × 12
5"	127	.146	8	½ × 12-24	1½ × 12

### Options:

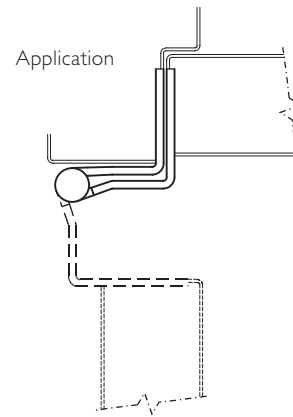
Code	Description
TB	Ball Bearing
HT	Hospital Tip
SSF	Safety Stud Feature
QC	ElectroLynx® Hinge - 2, 4, 6, 8, 10 or 12 wire available
CC	Concealed Circuit - 2, 4, 6, 8, 10 or 12 wire available
CC-18	Concealed Circuit - 2, 4, 6, 8 or 10 wire available (2-18AWG wires and the remainder 28AWG wires)
MM	Magnetic Monitoring

## Five Knuckle Heavy Weight Swing Clear Series (Reversible)

Swing Clear Hinges create barrier free openings by moving the hinge barrel and door edge out of the way

- Recommended for use on high frequency and/or heavy wood or metal doors in schools, hospitals or other public buildings where heavy traffic is experienced
- Hinge allows for maximum clearance for passage of beds, tables or other equipment through the doorway
- Meets ADA Requirements and ANSI A117.1-1986
- Pressed steel jambs require no special reinforcing
- Pin is held in place by an NRP set screw, which allows the hinge to be reversible
- For Beveled Edge, where doors are beveled in hinge side, specify T4A4395 or T4A4795
- For available finishes see page 29

**T4A3395**  
**T4A3795**



No.	ANSI Cross Reference	Base Material	Weight
T4A3395	A5121	Stainless	HVY
T4A3795	A8121	Steel	HVY

### Specifications

Inches	mm	Gauge	No. of Holes	Fasteners	
				Machine	Wood
4½"	114.3	.180	8	½ x 12-24	1¼ x 12
5"	127	.190	8	½ x 12-24	1¼ x 12

### Options:

Code	Description
TB	Ball Bearing
HT	Hospital Tip
SSF	Safety Stud Feature
QC	ElectroLynx® Hinge - 2, 4, 6, 8, 0 or 2 wire available
CC	Concealed Circuit - 2, 4, 6, 8, 0 or 2 wire available
CC-18	Concealed Circuit - 2, 4, 6, 8 or 0 wire available (2-8AWG wires and the remainder 28AWG wires)
MM	Magnetic Monitoring

**MACPRO**® by McKinney Five Knuckle Standard Weight Series

The MacPro line by McKinney offers contract grade hinges to get the job done right. High quality and lower prices equal an extraordinary value, ideal when you need large quantities of standard hinges.

- Plain bearing hinges are for standard weight doors only
- For doors with a closing device, MPB79 bearing hinge must be used
- For heavy weight doors with a closing device, select a MPB68, heavy weight bearing hinge
- MacPro by McKinney templated hinges are made to conform to ANSI/BHMA 156.1, 156.7
- For available finishes consult the factory

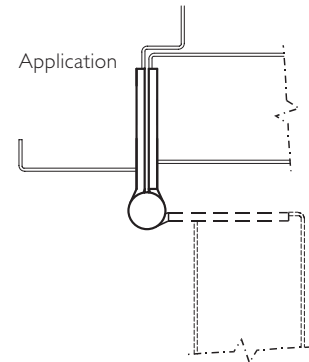


No.	Base Material	Weight	Bearing
MP79	Steel	STD	Plain Bearing
MPB79	Steel	STD	Bearing
MPB91	Stainless*	STD	Bearing

\*4½" x 4½"

**Specifications**

Inches	mm	Gauge	No. of Holes	Fasteners	
				Machine	Wood
4½" x 4"	114.3 x 101.6	.134	8	½ x 12-24	1¼ x 12
4½" x 4½"	114.3 x 114.3	.134	8	½ x 12-24	1¼ x 12



**Options:**

Code	Description
NRP	Non-Removable Pin

## MACPRO<sup>®</sup> by McKinney Five Knuckle Heavy Weight Series

The MacPro line by McKinney offers contractor grade hinges to get the job done right. High quality and lower prices equal an extraordinary value, ideal when you need large quantities of standard hinges.

- For doors with a closing device, bearing hinge must be used
- For heavy weight doors with a closing device, select a MPB68, heavy weight bearing hinge
- MacPro by McKinney templated hinges are made to conform to ANSI/BHMA 156.1, 156.7
- For available finishes consult the factory

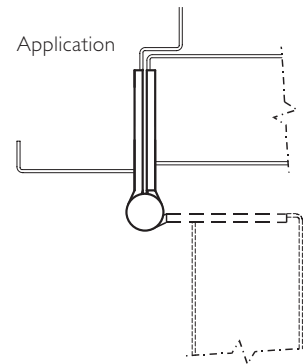
MPB99  
MPB68



No.	Base Material	Weight	Bearing
MPB99	Stainless	HVY	Bearing
MPB68	Steel	HVY	Bearing

### Specifications

Inches	mm	Gauge	No. of Holes	Fasteners	
				Machine	Wood
4½" x 4½"	114.3 x 114.3	.180	8	½ x 12-24	1¼ x 12



### Options:

Code	Description
NRP	Non-Removable Pin





## Three Knuckle Heavy Weight Anchor Hinges Series – Concealed Door Closers

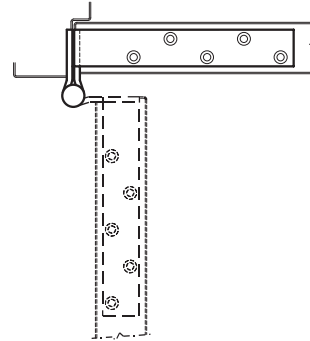
Anchor hinge sets are used on doors where high traffic, abuse, or other door hardware place an unusual strain on the door, jamb, and hinges.

- Recommended for use on high frequency and/or heavy wood or metal doors in schools, hospitals or other public buildings where heavy traffic is experienced
- For use with concealed door holders or door closers
- Set includes one anchor hinge and two 5" x 4½" full mortise hinges
- Sets require handing and are packed with all machine and all wood screws
- The pin is inserted from the bottom of the barrel on the anchor hinge, and is held in place by an NRP set screw
- Anchor plate for door header only, permits use of holders and closers concealed in the top of the jamb
- For Beveled Edge, where doors are beveled in hinge side, specify TA5391 or TA5791
- For available finishes see page 29

TA391  
TA791



Application



No.	ANSI Cross Reference	Base Material	Weight
TA391	A5551	Stainless	HVY
TA791	A8551	Steel	HVY

### Specifications

Inches	mm	Gauge	No. of Holes	Fasteners	
				Machine	Wood
5" x 4½"	127 x 114.3	.190	13	½ x 12-24	1¼ x 12

### Options:

Code	Description
SSF	Safety Stud Feature
QC	ElectroLynx® Hinge - 2, 4, 6, 8, 10 or 12 wire available
MM	Magnetic Monitoring

## Three Knuckle Heavy Weight Anchor Hinge Series – Surface Applied Door Closers

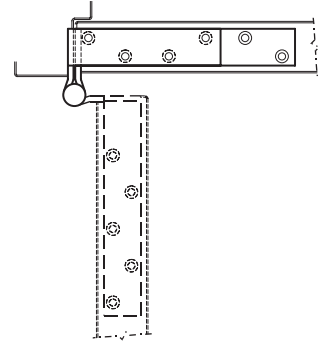
Anchor hinge sets are used on doors where high traffic, abuse, or other door hardware place an unusual strain on the door, jamb, and hinges.

- Recommended for use on high frequency and/or heavy wood or metal doors in schools, hospitals or other public buildings where heavy traffic is experienced
- Anchor plate for jamb and door header permits use of surface applied holders and closers
- Set includes one anchor hinge and two 5" x 4½" full mortise hinges. One mortise hinge can be electrified
- Sets require handing and are packed with all machine and all wood screws
- The pin is inserted from the bottom of the barrel on the anchor hinge, and is held in place by an NRP set screw
- For Beveled Edge, where doors are beveled in hinge side, specify TA5392 or TA5792
- For available finishes see page 29

TA392  
TA792



Application



No.	ANSI Cross Reference	Base Material	Weight
TA392	A5551	Stainless	HVY
TA792	A8551	Steel	HVY

### Specifications

Inches	mm	Gauge	No. of Holes	Fasteners	
				Machine	Wood
5" x 4½"	127 x 114.3	.190	17	½ x 12-24	1¼ x 12

### Options:

Code	Description
SSF	Safety Stud Feature
QC *	ElectroLynx® Hinge - 2, 4, 6, 8, 10 or 12 wire available
MM *	Magnetic Monitoring

\*On center hinge of set only

## Three Knuckle Heavy Weight Anchor Hinge Series – Concealed Door Closers

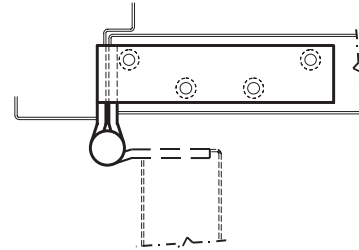
Anchor hinge sets are used on doors where high traffic, abuse, or other door hardware place an unusual strain on the door, jamb, and hinges.

- Recommended for use on high frequency and/or heavy wood or metal doors in schools, hospitals or other public buildings where heavy traffic is experienced
- For use with concealed door holders or door closers
- Set includes one anchor hinge and two 5" x 4½" full mortise hinges
- Sets require handing and are packed with all machine and all wood screws
- The pin is inserted from the bottom of the barrel on the anchor hinge, and is held in place by an NRP set screw
- Anchor plate for jamb header only, permits use of holders and closers concealed in the top of the door
- For Beveled Edge, where doors are beveled in hinge side, specify TA5393 or TA5793
- For available finishes see page 29

**TA393**  
**TA793**



Application



No.	ANSI Cross Reference	Base Material	Weight
TA393	A5551	Stainless	HVY
TA793	A8551	Steel	HVY

### Specifications

Inches	mm	Gauge	No. of Holes	Fasteners	
				Machine	Wood
5" x 4½"	127 x 114.3	.190	12	½ x 12-24	1¼ x 12

### Options:

Code	Description
SSF	Safety Stud Feature
QC*	ElectroLynx® Hinge - 2, 4, 6, 8, 10 or 12 wire available
MM*	Magnetic Monitoring

\* On center hinge of set only

## Three Knuckle Heavy Weight Anchor Hinge Series – With 4" Door Leg

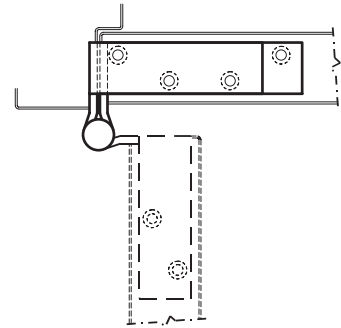
Anchor hinge sets are used on doors where high traffic, abuse, or other door hardware place an unusual strain on the door, jamb, and hinges.

- Recommended for use on high frequency and/or heavy wood or metal doors in schools, hospitals or other public buildings where heavy traffic is experienced
- Set includes one anchor hinge and two 5" x 4½" full mortise hinges
- Sets require handing and are packed with all machine and all wood screws
- The pin is inserted from the bottom of the barrel on the anchor hinge, and is held in place by an NRP set screw
- Anchor plate for jamb and door header permits use of surface applied holders and closers
- For Beveled Edge, where doors are beveled in hinge side, specify TA5394 or TA5794
- For available finishes see page 29

TA394  
TA794



Application



No.	ANSI Cross Reference	Base Material	Weight
TA394	A5551	Stainless	HVY
TA794	A8551	Steel	HVY

### Specifications

Inches	mm	Gauge	No. of Holes	Fasteners	
				Machine	Wood
5" x 4½"	127 x 114.3	.190	14	½ x 12-24	1¼ x 12

### Options:

Code	Description
SSF	Safety Stud Feature
QC*	ElectroLynx® Hinge - 2, 4, 6, 8, 10 or 12 wire available
MM*	Magnetic Monitoring

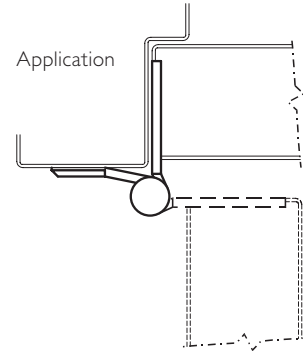
\* On center hinge of set only

## Five Knuckle Standard Weight Half Mortise Series (Reversible)

Half Mortise Plain Bearing Hinges are for low frequency and light weight doors

- Recommended for use on low frequency and/or light weight wood or stock hollow metal doors in residences, apartments or other very low frequency doors in commercial construction
- The hinges may be used on channel iron jambs
- The jamb leaf is applied to the surface of the jamb with machine screws. The door leaf is mortised into the edge of the door
- The pin is held in place by an NRP set screw, which allows the hinge to be reversible
- For Beveled Edge, where doors are beveled in hinge side, specify T4774
- For available finishes see page 29

**T2774**



No.	ANSI Cross Reference	Base Material	Weight
T2774	A8233	Steel	STD

### Specifications

Inches	mm	Gauge	No. of Holes	Fasteners Machine
4½"	114.3	.134	7	½ x 12-24

### Options:

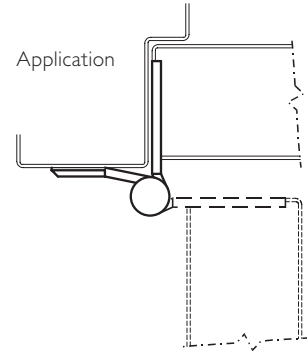
Code	Description
HT	Hospital Tip

## Three Knuckle Standard Weight Half Mortise Series (Reversible)

Half Mortise Bearing Hinges are for greater frequency and weight than the Plain Bearing hinges

- Recommended for use on average frequency and/or medium weight wood or metal doors in schools, hospitals or other public buildings where medium traffic is experienced
- The hinges may be used on channel iron jambs
- The jamb leaf is applied to the surface of the jamb with machine screws. The door leaf is mortised into the edge of the door
- The pin is held in place by an NRP set screw, which allows the hinge to be reversible
- For Beveled Edge, where doors are beveled in hinge side, specify TA5374 or TA5774
- For available finishes see page 29

TA374  
TA774



No.	ANSI Cross Reference	Base Material	Weight
TA374	A5212	Stainless	STD
TA774	A8212	Steel	STD

### Specifications

Inches	mm	Gauge	No. of Holes	Fasteners
				Machine
4½"	114.3	.134	7	½ × 12-24
5"	127.0	.146	8	½ × 12-24

### Options:

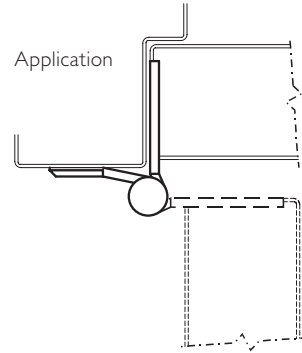
Code	Description
HT	Hospital Tip

## Five Knuckle Standard Weight Half Mortise Series (Reversible)

Half Mortise Bearing Hinges are for greater frequency and weight than the Plain Bearing hinges

- Recommended for use on average frequency and/or medium weight wood or metal doors in schools, hospitals or other public buildings where medium traffic is experienced
- The hinges may be used on channel iron jambs
- The jamb leaf is applied to the surface of the jamb with machine screws. The door leaf is mortised into the edge of the door
- The pin is held in place by an NRP set screw, which allows the hinge to be reversible
- For Beveled Edge, where doors are beveled in hinge side, specify TA4374 or TA4774
- For available finishes see page 29

TA2374  
TA2774



No.	ANSI Cross Reference	Base Material	Weight
TA2374	A522	Stainless	STD
TA2774	A822	Steel	STD

### Specifications

Inches	mm	Gauge	No. of Holes	Fasteners
				Machine
4½"	114.3	.134	7	½ x 12-24
5"	127.0	.146	8	½ x 12-24

### Options:

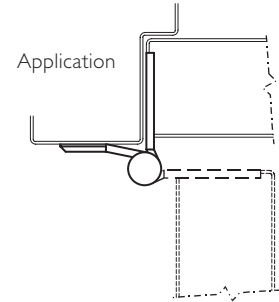
Code	Description
TB	Ball Bearing
TCA	Concealed Bearing
HT	Hospital Tip

## Three Knuckle Heavy Weight Half Mortise Series (Reversible)

Half Mortise Bearing Heavy Weight Hinges are for greater frequency and weight than the Plain Bearing or standard hinges

- Recommended for use on high frequency and/or heavy wood or metal doors in schools, hospitals or other public buildings where heavy traffic is experienced
- The hinges may be used on channel iron jambs
- The jamb leaf is applied to the surface of the jamb with machine screws. The door leaf is mortised into the edge of the door
- The pin is held in place by an NRP set screw, which allows the hinge to be reversible
- For Beveled Edge, where doors are beveled on hinge side, specify TA5384 or TA5784
- For available finishes see page 29

TA384  
TA784



No.	ANSI Cross Reference	Base Material	Weight
TA384	A5211	Stainless	HVY
TA784	A8211	Steel	HVY

### Specifications

Inches	mm	Gauge	No. of Holes	Fasteners
				Machine
4½"	114.3	.180	7	½ × 12-24
5"	127.0	.190	8	½ × 12-24
6"*	152.4	.203	9	½ × ¼-20

### Options:

Code	Description
HT	Hospital Tip

\* Advise door thickness 1¾" or 2¼"

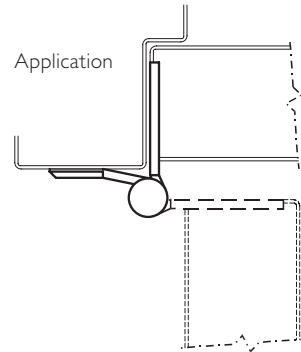


## Five Knuckle Heavy Weight Series (Reversible)

Half Mortise Bearing Heavy Weight Hinges are for greater frequency and weight than Plain Bearing or standard hinges

- Recommended for use on high frequency and/or heavy wood or metal doors in schools, hospitals or other public buildings where heavy traffic is experienced
- The hinges may be used on channel iron jambs
- The jamb leaf is applied to the surface of the jamb with machine screws. The door leaf is mortised into the edge of the door
- The pin is held in place by an NRP set screw, which allows the hinge to be reversible
- For Beveled Edge, where doors are beveled in hinge side, specify T4A4384 or T4A4784
- For available finishes see page 29

**T4A3384**  
**T4A3784**



No.	ANSI Cross Reference	Base Material	Weight
T4A3384	A5211	Stainless	HVY
T4A3784	A8211	Steel	HVY

### Specifications

Inches	mm	Gauge	No. of Holes	Fasteners
				Machine
4½"	114.3	.180	7	½ × 12-24
5"	127.0	.190	8	½ × 12-24
6"*	152.4	.203	9	½ × ¼-20

\* Advise door thickness 1¾" or 2¼"

### Options:

Code	Description
T4B	Ball Bearing
TCA	Concealed Bearing*
HT	Hospital Tip

\*Not available in 6"

## Three Knuckle Heavy Weight Swing Clear Series (Reversible)

The swing of these hinges allows maximum clearance for passage of beds, tables or other equipment through door openings.

- Recommended for use on high frequency and/or heavy wood or metal doors in schools, hospitals or other public buildings where heavy traffic is experienced
- The hinges may be used on channel iron jambs
- The jamb leaf is applied to the surface of the jamb with machine screws. The door leaf is mortised into the edge of the door
- The pin is held in place by an NRP set screw, which allows the hinge to be reversible
- For Beveled Edge, where doors are beveled on hinge side, specify TA5789
- For available finishes see page 29

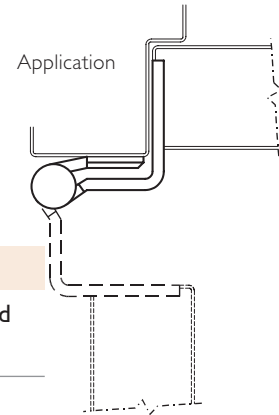
**TA789**



No.	ANSI Cross Reference	Base Material	Weight
TA789	A8221	Steel	HVY

### Specifications

Inches	mm	Gauge	No. of Holes	Fasteners		
				Jamb Machine	Door Machine	Door Wood
5"	127.0	.190	8	1/2 x 1/4-20	1/2 x 12-24	1 1/4 x 12



### Options:

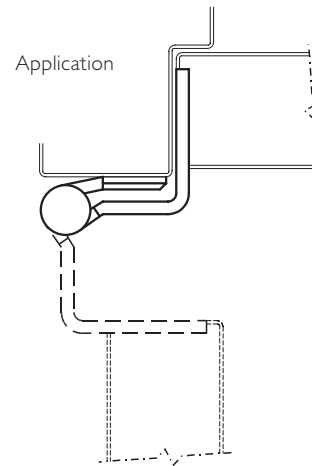
Code	Description
HT	Hospital Tip

## Five Knuckle Heavy Weight Swing Clear Series (Reversible)

The swing of these hinges allows maximum clearance for passage of beds, tables or other equipment through door openings.

- Recommended for use on high frequency and/or heavy wood or metal doors in schools, hospitals or other public buildings where heavy traffic is experienced
- The hinges may be used on channel iron jambs
- The jamb leaf is applied to the surface of the jamb with machine screws. The door leaf is mortised into the edge of the door
- The pin is held in place by an NRP set screw, which allows the hinge to be reversible
- For Beveled Edge, where doors are beveled in hinge side, specify T4A4789
- For available finishes see page 29

**T4A3789**



No.	ANSI Cross Reference	Base Material	Weight
T4A3789	A8221	Steel	HVY

### Specifications

Inches	mm	Gauge	No. of Holes	Fasteners		
				Jamb Machine	Door Machine	Door Wood
5"	127.0	.190	8	1/2 x 1/4-20	1/2 x 12-24	1 1/4 x 12

### Options:

Code	Description
T4B	Ball Bearing
HT	Hospital Tip

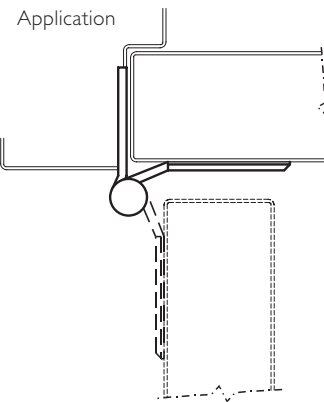


## Three Knuckle Standard Weight Series (Reversible)

Recommended for use on average frequency and/or medium weight wood or metal doors in schools, hospitals or other public buildings where medium traffic is experienced.

- Standard weight half surface hinges are packed with all machine screws and thru bolts and grommet nuts
- The jamb leaf is fastened to the mortise with machine screws. The door leaf is applied full surface with thru bolts and grommet nuts
- The pin is held in place by an NRP set screw, which allows the hinge to be reversible
- For available finishes see page 29
- Specify if the door thickness is greater than 13/4" to insure that proper bolt is packed

**TA372**  
**TA772**



No.	ANSI Cross Reference	Base Material	Weight
TA372	A5212	Stainless	STD
TA772	A8212	Steel	STD

### Specifications

Inches	mm	Gauge	No. of Holes	Machine Screws	
				Door	Jamb
4½"	114.3	.134	7	2 × ¼-20	½ × 12-24
5"	127.0	.146	8	2 × ¼-20	½ × 12-24

### Options:

Code	Description
HT	Hospital Tip
BP-10	Back Plate*

\* Refer to page HS-8 for BP-10

### Three Knuckle Heavy Weight Series (Reversible)

Recommended for use on high frequency and/or heavy weight wood or metal doors in schools, hospitals or other public buildings where heavy traffic is experienced.

- Heavy weight half surface hinges are packed with all machine screws and thru bolts and grommet nuts
- The jamb leaf is fastened into the mortise with machine screws. The door leaf is applied full surface with thru bolts and grommet nuts
- The pin is held in place by an NRP set screw, which allows the hinge to be reversible
- Specify if the door thickness is greater than 1¾" to insure that proper bolt is packed
- For available finishes see page 29

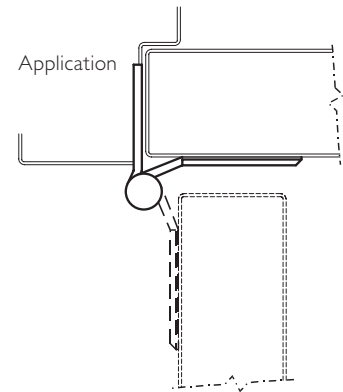
**TA382**  
**TA782**



No.	ANSI Cross Reference	Base Material	Weight
TA382	A5411	Stainless	HVY
TA782	A8411	Steel	HVY

#### Specifications

Inches	mm	Gauge	No. of Holes	Machine Screws	
				Door	Jamb
4½"	114.3	.180	7	2 × ¼-20	½ × 12-24
5"	127.0	.190	8	2 × ¼-20	½ × 12-24



#### Options:

Code	Description
HT	Hospital Tip
BP-10	Back Plate*

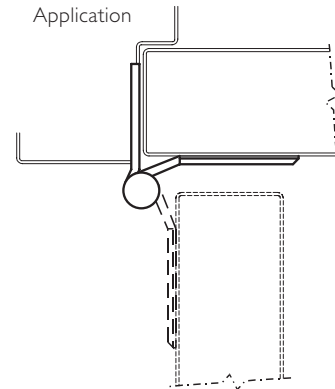
\* Refer to page HS-8 for BP-10

## Five Knuckle Standard Weight Series (Reversible)

Recommended for use on low frequency and/or light weight wood or stock hollow metal doors in residences, apartments or other very low frequency doors in commercial construction.

- Plain bearing hinges are recommended for low frequency doors
- Standard weight half surface hinges are packed with all machine screws and thru bolts and grommet nuts
- The jamb leaf is fastened into the mortise with machine screws. The door leaf is applied full surface with thru bolts and grommet nuts
- The pin is held in place by an NRP set screw, which allows the hinge to be reversible
- Specify if the door thickness is greater than 13/4" to insure that proper bolt is packed
- For available finishes see page 29

**T2772**



No.	ANSI Cross Reference	Base Material	Weight
T2772	A8433	Steel	STD

### Specifications

Inches	mm	Gauge	No. of Holes	Machine Screws	
				Door	Jamb
4½"	114.3	.134	7	2 x ¼-20	½ x 12-24

**Note:** Bearing hinges should be used on high and average frequency doors and all doors equipped with door closers and/or door holders.

### Options:

Code	Description
HT	Hospital Tip
BP-10	Back Plate*

\* Refer to page HS-8 for BP-10

## Five Knuckle Standard Weight Series (Reversible)

Recommended for use on average frequency and/or medium weight wood or metal doors in schools, hospitals or other public buildings where medium traffic is experienced.

- Standard weight half surface hinges are packed with all machine screws and thru bolts and grommet nuts
- The jamb leaf is fastened into the mortise with machine screws. The door leaf is applied full surface with thru bolts and grommet nuts
- The pin is held in place by an NRP set screw, which allows the hinge to be reversible
- Specify if the door thickness is greater than 13/4" to insure that proper bolt is packed
- For available finishes see page 29

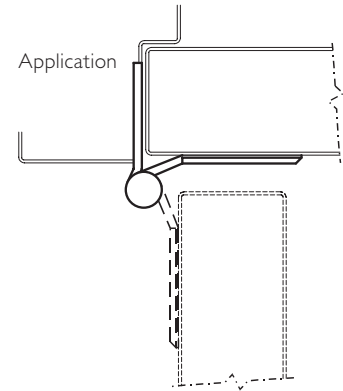
TA2372  
TA2772



No.	ANSI Cross Reference	Base Material	Weight
TA2372	A5412	Stainless	STD
TA2772	A8412	Steel	STD

### Specifications

Inches	mm	Gauge	No. of Holes	Fasteners	
				Jamb Machine	Door Machine
4½"	114.3	.134	7	½ × 12-24	2 × ¼-20
5"	127.0	.146	8	½ × 12-24	2 × ¼-20



### Options:

Code	Description
BP-10	Back Plate*
TB	Ball Bearing
TCA	Concealed Bearing
HT	Hospital Tips

\* Refer to page HS-8 for BP-10

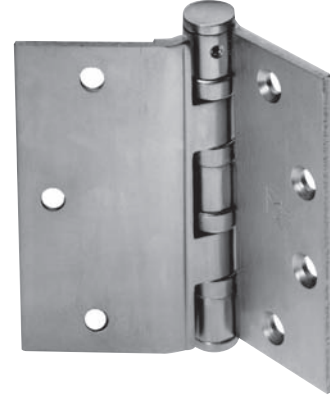


## Five Knuckle Heavy Weight Series (Reversible)

Recommended for use on high frequency and/or heavy weight wood or metal doors in schools, hospitals or other public buildings where heavy traffic is experienced.

- Heavy weight half surface hinges are packed with all machine screws and thru bolts and grommet nuts
- The jamb leaf is fastened into the mortise with machine screws. The door leaf is applied full surface with thru bolts and grommet nuts
- The pin is held in place by an NRP set screw, which allows the hinge to be reversible
- Specify if the door thickness is greater than 13/4" to insure that proper bolt is packed
- For available finishes see page 29

**T4A3382**  
**T4A3782**

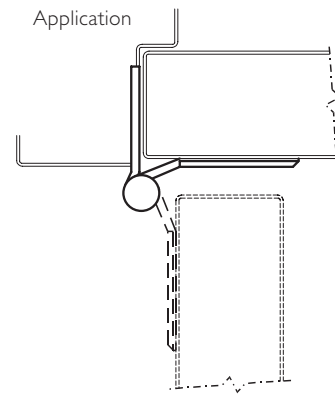


No.	ANSI Cross Reference	Base Material	Weight
T4A3382	A5411	Stainless	HVY
T4A3782	A8411	Steel	HVY

### Specifications

Inches	mm	Gauge	No. of Holes	Machine Screws	
				Door	Jamb
4½"	114.3	.180	7	2 × ¼-20	½ × 12-24
5"	127.0	.190	8	2 × ¼-20	½ × 12-24
6"*	152.4	.203	10	2 × ¼-20	½ × ¼-20

\*Advise door thickness 1¾" or 2¼"



### Options:

Code	Description
BP-10	Back Plate*
TB	Ball Bearing
TCA	Concealed Bearing**
HT	Hospital Tip

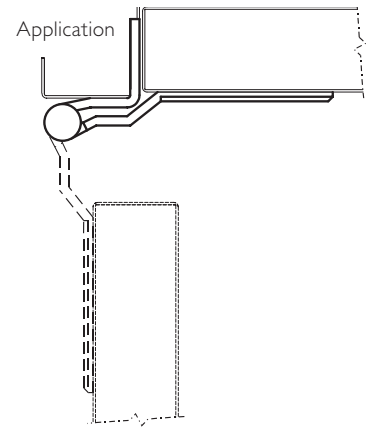
\* Refer to page HS-8 for BP-10  
\*\* Not available in 6"

## Three Knuckle Heavy Weight Swing Clear Series (Reversible)

The wide swing of these hinges allows maximum clearance for passage of beds, tables or other equipment through door openings.

- Recommended for use on high frequency and/or heavy wood or metal doors in schools, hospitals or other public buildings where heavy traffic is experienced
- Swing clear heavy weight half surface hinges are packed with all machine screws and thru bolts and grommet nuts
- The jamb leaf is fastened into the mortise with machine screws. The door leaf is applied full surface with thru bolts and grommet nuts
- The pin is held in place by an NRP set screw, which allows the hinge to be reversible
- Specify if the door thickness is greater than 13/4" to insure that proper bolt is packed
- For available finishes see page 29

**TA796**



No.	ANSI Cross Reference	Base Material	Weight
TA796	A8421	Steel	HVY

### Specifications

Inches	mm	Gauge	No. of Holes	Machine Screws	
				Door	Jamb
5"	127.0	.190	9	2 x 1/4-20	1/2 x 12-24

### Options:

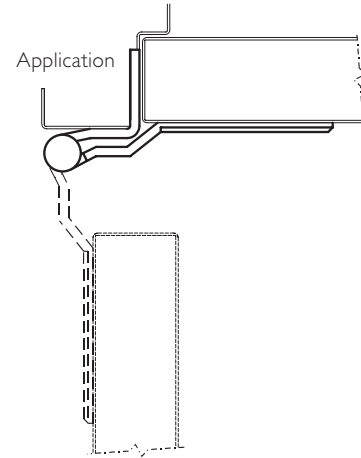
Code	Description
HT	Hospital Tips

## Five Knuckle Heavy Weight Swing Clear Series (Reversible)

The wide swing of these hinges allows maximum clearance for passage of beds, tables or other equipment through door openings.

- Recommended for use on high frequency and/or heavy wood or metal doors in schools, hospitals or other public buildings where heavy traffic is experienced
- Swing clear heavy weight half surface hinges are packed with all machine screws and thru bolts and grommet nuts
- The jamb leaf is fastened into the mortise with machine screws. The door leaf is applied full surface with thru bolts and grommet nuts
- The pin is held in place by an NRP set screw, which allows the hinge to be reversible
- Specify if the door thickness is greater than 13/4" to insure that proper bolt is packed
- For available finishes see page 29

**T4A3796**



No.	ANSI Cross Reference	Base Material	Weight
T4A3796	A8421	Steel	HVY

### Specifications

Inches	mm	Gauge	No. of Holes	Machine Screws	
				Door	Jamb
5"	127.0	.190	9	2 x 1/4-20	1/2 x 12-24

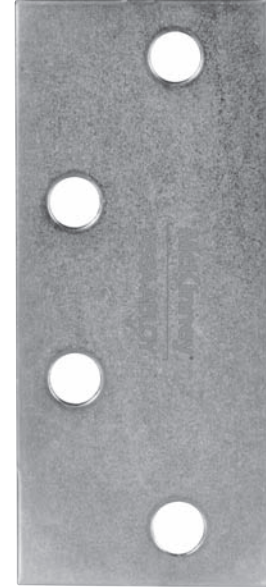
### Options:

Code	Description
HT	Hospital Tip
T4B	Ball Bearing

## Hinge Back Plate

Recommended for use with Half Surface Hinges.

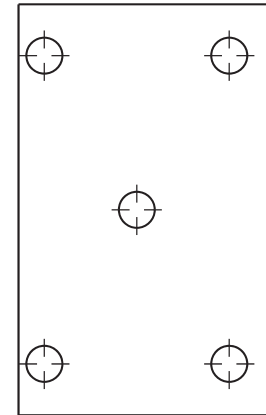
- Available to fit popular half surface hinges
- For finishes see page 29

**BP-10**


No.	For Use With	Base Material
BP-10	T2772, TA2772, T4A3782, TA772, TA782	Steel
BP-11	T4A3796, TA796	Steel
BP-12	1572	Steel

### Specifications

No.	Inches	mm	No. of Holes
BP-10	4½"	114.3	3
BP-10	5"	127.0	4
BP-10	6"	152.4	5
BP-11	5"	127.0	5
BP-12	4½"	114.3	4

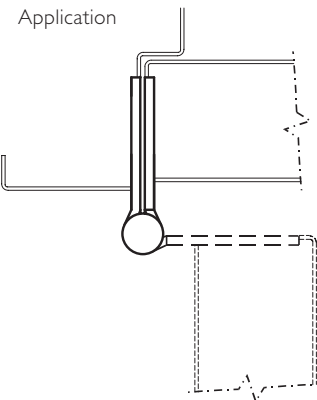
**BP-11**

**BP-12**


## Three Knuckle Heavy Weight Series (Reversible)

Recommended for use on high frequency and/or heavy weight wood or metal doors in schools, hospitals or other public buildings where heavy traffic is experienced.

- Bearing hinges should be used on high and average frequency doors and on all doors equipped with door closers and/or door holders
- The hinges may be used on channel iron frames.
- Heavy weight full surface hinges are packed with all machine screws and thru bolts and grommet nuts
- The narrow leaf is applied to the surface of the jamb with machine screws. The door leaf is applied to the surface of the door with thru bolts and grommet nuts
- The pin is held in place by an NRP set screw, which allows the hinge to be reversible
- For available finishes see page 29

TA381  
TA781



No.	ANSI Cross Reference	Base Material	Weight
TA381	A5311	Stainless	HVY
TA781	A8311	Steel	HVY

### Specifications

Inches	mm	Gauge	No. of Holes	Machine Screws	
				Door	Jamb
4½"	114.3	.180	6	2 × ¼-20	2½ × 12-24
5"	127.0	.190	8	2 × ¼-20	2 × ¼-20

### Options:

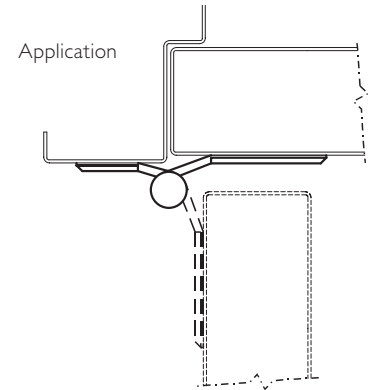
Code	Description
HT	Hospital Tip

## Five Knuckle Heavy Weight Series (Reversible)

Recommended for use on high frequency and/or heavy weight wood or metal doors in schools, hospitals or other public buildings where heavy traffic is experienced.

- The hinges may be used on channel iron frames
- The narrow leaf is applied to the surface of the jamb with machine screws. The door leaf is applied to the surface of the door with thru bolts and grommet nuts
- Heavy weight full surface hinges are packed with all machine screws and thru bolts and grommet nuts
- The pin is held in place by an NRP set screw, which allows the hinge to be reversible
- For available finishes see page 29
- Specify if the door thickness is greater than 13/4" to insure that proper bolt is packed

**T4A3381**  
**T4A3781**



No.	ANSI Cross Reference	Base Material	Weight
T4A3381	A5311	Stainless	HVY
T4A3781	A8311	Steel	HVY

### Specifications

Inches	mm	Gauge	No. of Holes	Machine Screws	
				Door	Jamb
4½"	114.3	.180	6	2 x ¼-20	½ x 12-24
5"	127.0	.180	8	2 x ¼-20	½ x 12-24
6"	152.4	.203	9	2 x ¼-20	½ x ¼-20

### Options:

Code	Description
<b>T4B</b>	Ball Bearing
<b>TCA</b>	Concealed Bearing*
<b>HT</b>	Hospital Tip

\* Not Available in 6"

## Three Knuckle Standard Weight Series (Reversible)

Recommended for use on average frequency and/or medium weight wood or metal doors in schools, hospitals or other public buildings where medium traffic is experienced.

- The hinges may be used on channel iron jambs
- The narrow leaf is applied to the surface of the jamb with machine screws. The door leaf is applied to the surface of the door with thru bolts and grommet nuts
- Standard weight full surface hinges are packed with all machine screws and thru bolts and grommet nuts
- The pin is held in place by an NRP set screw, which allows the hinge to be reversible
- Specify if the door thickness is greater than 13/4" to insure that proper bolt is packed
- For available finishes see page 29

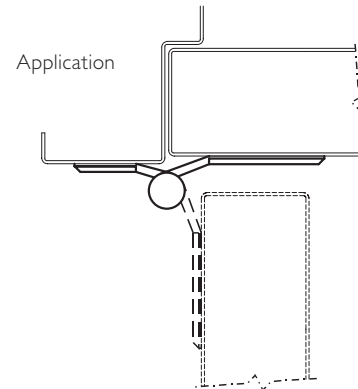
TA371  
TA771



No.	ANSI Cross Reference	Base Material	Weight
TA371	A5312	Stainless	STD
TA771	A8312	Steel	STD

### Specifications

Inches	mm	Gauge	No. of Holes	Machine Screws	
				Door	Jamb
4½"	114.3	.134	6	2 × ¼-20	½ × 12-24
5"	127.0	.146	8	2 × ¼-20	½ × 12-24



### Options:

Code	Description
HT	Hospital Tips

## Five Knuckle Standard Weight Series (Reversible)

Recommended for use on average frequency and/or medium weight wood or metal doors in schools, hospitals or other public buildings where medium traffic is experienced.

- The hinges may be used on channel iron jambs
- The narrow leaf is applied to the surface of the jamb with machine screws. The door leaf is applied to the surface of the door with thru bolts and grommet nuts
- Standard weight full surface hinges are packed with all machine screws and thru bolts and grommet nuts
- The pin is held in place by an NRP set screw, which allows the hinge to be reversible
- Specify if the door thickness is greater than 1¾" to insure that proper bolt is packed
- For available finishes see page 29

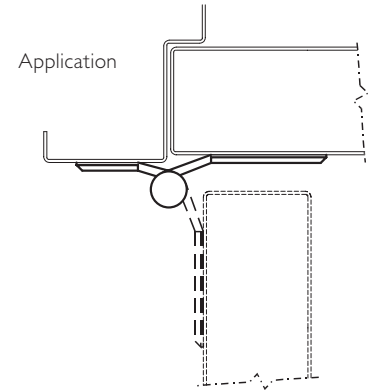
TA2371  
TA2771



No.	ANSI Cross Reference	Base Material	Weight
TA2371	A5312	Stainless	STD
TA2771	A8312	Steel	STD

### Specifications

Inches	mm	Gauge	No. of Holes	Machine Screws	
				Door	Jamb
4½"	114.3	.134	6	2 x ¼-20	½ x 12-24
5"	127.0	.146	8	2 x ¼-20	½ x 12-24



### Options:

Code	Description
T4B	Ball Bearing
TCA	Concealed Bearing
HT	Hospital Tip

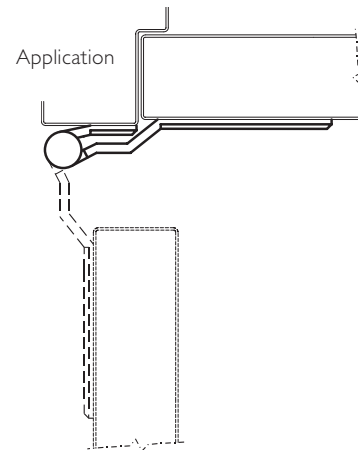


## Three Knuckle Heavy Weight Series (Reversible)

The swing of these hinges allows maximum clearance for passage of beds, tables or other equipment through door openings.

- Recommended for use on high frequency and/or heavy weight wood or metal doors in schools, hospitals or other public buildings where heavy traffic is experienced
- The hinges may be used on channel iron frames
- Heavy weight full surface hinges are packed with all machine screws and thru bolts and grommet nuts
- The narrow leaf is applied to the surface of the jamb with machine screws. The door leaf is applied to the surface of the door with thru bolts and grommet nuts
- The pin is held in place by an NRP set screw, which allows the hinge to be reversible
- Specify if the door thickness is greater than 1 $\frac{3}{4}$ " to insure that proper bolt is packed
- For available finishes see page 29

TA797



No.	ANSI Cross Reference	Base Material	Weight
TA797	A8321	Steel	HVY

### Specifications

Inches	mm	Gauge	No. of Holes	Machine Screws	
				Door	Jamb
5"	127.0	.190	9	2 x 1/4-20	1/2 x 12-24

### Options:

Code	Description
HT	Hospital Tips

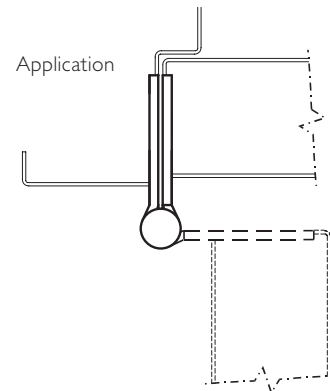


## Standard Weight Spring Hinge

Recommended for standard weight, medium frequency doors in place of door closers in apartments, hotels, motels, office buildings, etc.

- Spring hinges are an alternative to door closing devices. Generally two hinges on the door must be spring hinges to provide adequate closing force. NFPA requires a minimum of two (2) spring hinges on labeled doors
- This non-handed spring hinge series is adjustable and tension can be added or reduced by means of a hex key that is provided
- Locking screw provides tamper-resistance after the proper tension has been set. For unparalleled tamper resistance and security choose the TRS option
- Caution: Use of gasketing for smoke or sound protection, wind condition of unbalanced air pressure may prevent door from latching. Additional closing power would be required
- For available finishes see page 29

1502  
1552



No.	ANSI Cross Reference	Base Material	Weight
1502	K81081	Steel	STD
1502	K81081F	Steel	STD
1552	K51071	Stainless Steel	STD
1552	K51071F	Stainless Steel	STD

### Specifications

Inches	mm	Gauge	No. of Holes	Fasteners	
				Machine	Wood
4" x 4"*	101.6 x 101.6	.130	8	1/2 x 12-24	1 1/4 x 12
4 1/2" x 4"	114.3 x 101.6	.134	8	1/2 x 12-24	1 1/4 x 12
4 1/2" x 4 1/2"	114.3 x 114.3	.134	8	1/2 x 12-24	1 1/4 x 12

\*Not available in 1552

### Options:

Code	Description
RC	Round corner - 1/4" radius furnished unless specified otherwise
HT	Hospital Tip - on one side only*
1502-R	Reverse Spring Option (maintains the door in the open position)*
TRS	Tamper Resistant Option**

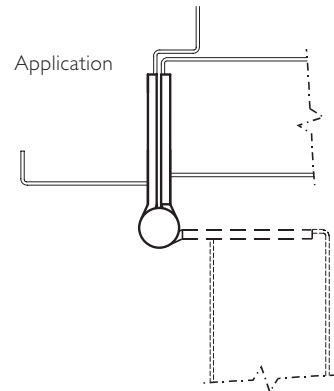
\* Voids the UL® listing  
\*\* A tamper resistant screw is screwed into the tension ratchet after the proper tension has been set.

## Standard Weight Spring Hinge Set

Recommended for standard weight, medium frequency doors in place of door closers in apartments, hotels, motels, office buildings, etc.

- Spring hinges are an alternative to door closing devices. Generally two hinges on the door must be spring hinges to provide adequate closing force. NFPA requires a minimum of two (2) spring hinges on labeled doors
- All 1522 sets of standard weight single acting spring hinges are furnished with two 1502 and one 1500 (spring-less) hinge.
- The two spring hinges should be located as the top and center hinge. The “dummy” or spring-less hinge should be located as the bottom hinge
- This non-handed spring hinge series is adjustable and tension can be added or reduced by means of a hex key that is provided.
- Locking screw provides tamper-resistance after the proper tension has been set. For unparalleled tamper resistance and security choose the TRS option
- Caution: Use of gasketing for smoke or sound protection, wind condition of unbalanced air pressure may prevent door from latching. Additional closing power would be required
- For available finishes see page 29

1522



No.	ANSI Cross Reference	Base Material	Weight
1522	K81081	Steel	STD
1522	K81081F	Steel	STD

### Specifications

Inches	mm	Gauge	No. of Holes	Fasteners	
				Machine	Wood
4" x 4"	101.6 x 101.6	.130	8	½ x 12-24	1¼ x 12
4½" x 4"	114.3 x 101.6	.134	8	½ x 12-24	1¼ x 12
4½" x 4½"	114.3 x 114.3	.134	8	½ x 12-24	1¼ x 12

### Options:

Code	Description
RC	Round corner - ¼" radius furnished unless specified otherwise
HT	Hospital Tip - on one side only*
MM	Magnetic Monitoring
TRS	Tamper Resistant Option**

\* Voids the UL® listing

\*\* A tamper resistant screw is screwed into the tension ratchet after the proper tension has been set.

## Standard Weight Spring Hinge

Recommended for standard weight, medium frequency doors in place of door closers in apartments, hotels, motels, office buildings, etc.

- Spring hinges are an alternative to door closing devices. Generally two hinges on the door must be spring hinges to provide adequate closing force. NFPA requires a minimum of two (2) spring hinges on labeled doors
- This non-handed spring hinge series is adjustable and tension can be added or reduced by means of a hex key that is provided
- Locking screw provides tamper-resistance after the proper tension has been set. For unparalleled tamper resistance and security choose the TRS option
- Caution: Use of gasketing for smoke or sound protection, wind condition of unbalanced air pressure may prevent door from latching. Additional closing power would be required
- For available finishes see page 29

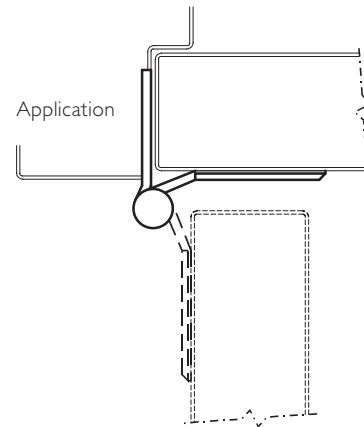
1572



No.	ANSI Cross Reference	Base Material	Weight
1572	K81081	Steel	STD
1572	K81081F	Steel	STD

### Specifications

Inches	mm	Gauge	No. of Holes	Machine Screws	
				Door	Jamb
4½"	114.3	.135	8	2 x ¼-20	½ x 12-24



### Options:

Code	Description
HT	Hospital Tip - on one side only*
TRS	Tamper Resistant Option**

\* Voids the UL® listing

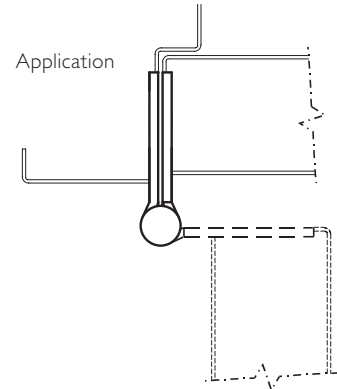
\*\* A tamper resistant screw is screwed into the tension ratchet after the proper tension has been set.

## MACPRO® Adjustable Spring Hinge

MacPro by McKinney offers contract grade hinges to get the job done right. They are a key player in very competitive jobs, especially in the retrofit arena.

- Recommended for standard weight hinge applications requiring self-closing control, such as apartments, hotels, motels, dormitories, office buildings, etc
- Spring hinges are an alternative to door closing devices. Generally two hinges on the door must be spring hinges to provide adequate closing force  
NFPA requires a minimum of two (2) spring hinges on labeled doors
- MPS679 - Set of two MPS60 spring hinges and one MPB79 full mortise butt hinge
- MacPro by McKinney templated hinges are made to conform to ANSI/BHMA 156.1, 156.7, 156.17
- Finishes available: P(prime coat) and US26D

**MPS60**  
**MPS679**



No.	Base Material	Weight
MPS60	Steel	STD
MPS679	Steel	STD

### Specifications

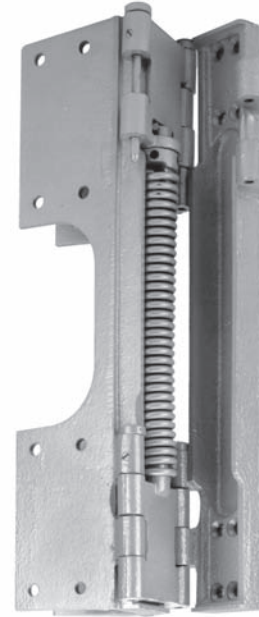
Inches	mm	Gauge	No. of Holes	Fasteners	
				Machine	Wood
4½" x 4½"	114.0 x 114.3	.134	8	½" x 12-24	1¼ x 2

## Spring Butt Hinge

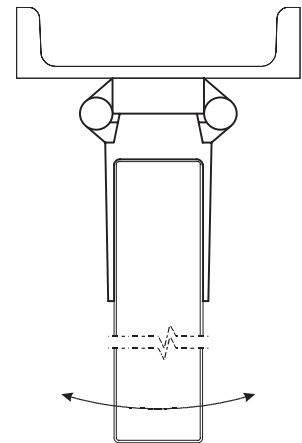
Recommended for use on high frequency and/or heavy wood or metal trucking doors in post offices, warehouses or other buildings where heavy traffic is experienced. Not intended for pedestrian traffic.

- Due to its heavy construction, the CS1 is useful in preventing door oscillations in extreme and variable draft conditions
- Heavy cast iron with two axis which permit the door to open 180°
- Hinge pins are securely held in place by a set screw
- Spring is protected from damage inside the all cast malleable construction
- Door and frame should be prepped using the installation instructions provided with the unit
- The application is simplified and more secure by fastening the jamb flange directly to the jamb without a hanging strip. The door flange is mortised into the door. If desired the jamb flange may be applied to the surface of the jamb with a mortise in the door sufficient to receive the thickness of both flanges. This application eliminates a filler strip and is used frequently on channel iron frames
- This hinge is packed with hexagonal head bolts and nuts for the clamp flange and machine screws for the jamb flange
- Furnished in PC (Prime Coat), AP or D4 finish

CS1



Application



No.	ANSI Cross Reference	Base Material	Weight
CS1	K61091	Cast Iron	HVY

### Specification Schedule

Maximum Door Thickness	1 $\frac{3}{4}$ "	1 $\frac{3}{4}$ "
# of Hinges for Each Door	2	3
Maximum Door Width	3'0"	4'0"
Door Height*	8' to 9'	8' to 9'
Maximum Door Weight	265	320

\* Minimum height for weights shown. Hinge capacity decreases as door height decreases.

NOTE: When estimating the weight of doors, be sure to include (with the exception of hinges) all hardware, metal plates and buffers. For hollow metal doors and wood doors over 3' wide with heavy metal plates, we recommend three hinges for each door to avoid possible sagging. The third hinge should be placed near the top hinge but allow space for pin removal.

## Full Surface Double Acting Door Spring

### Simplified method of closing doors.

- This economical series is designed to be surface applied to the door and frame
- Coil springs made of high grade steel wire
- Adjustable tension, no special tools required
- Wrought steel brackets prevent breakage
- All 450 Series are finished in D4 (black) and are packed with 1x12 wood screws

451  
452  
453



No.	ANSI Cross Reference	Base Material	Weight
451	K87441	Steel	HVY
452	K87441	Steel	HVY
453	K87441	Steel	HVY

### Specifications

Number	Overall Length	Spring Length	No. of Holes	Fasteners
				Wood
451	9"	5"	6	1 x 12
452	11"	7"	6	1 x 12
453	13"	9"	6	1 x 12



## Double Acting Spring Hinge

Recommended for wood doors not weighted with plate glass or heavy hardware.

- Door flange mortised or surface applied to edge of door
- Jamb flange surfaced applied to jamb
- Do not use on doors with hinge edge beveled
- Non-template
- Non-handed
- Packed with all wood screws
- Polished and plated or PC (Prime Coat) finished

1001



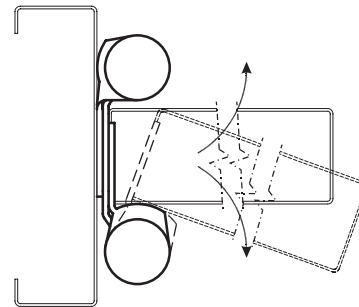
No.	ANSI Cross Reference	Base Material
1001	K81041	Steel

### Maximum Door Sizes and Weights

Catalog Number	2 Hinges Per Door		3 Hinges Per Door		Door Height*
	Door Weight Lbs.	Door Width	Door Weight Lbs.	Door Width	
1001 3"	35	2'0"	40	2'8"	5'0"
1001 4"	60	2'4"	75	3'0"	6'8"
1001 5"	65	2'8"	93	3'0"	6'8"
1001 6"	75	2'8"	107	3'0"	7'0"

\* Minimum height for weights shown. Hinge capacity decreases as door height decreases. Refer to 6 x 4 1/2 1001 for 1 3/4" thick stock hollow metal doors.

Application



### Approximate Dimensions in Inches

<b>A</b> Length of Door Flange (size of hinge)	3"	4"	5"	6"
<b>B</b> Minimum Thickness of Door	3/4"	7/8"	1 1/8"	1 1/4"
<b>C</b> Maximum Thickness of Door with Chamfering	1"	1 1/4"	1 1/2"	1 3/4"
<b>D</b> Maximum Thickness of Door without Chamfering for Metal Doors	7/8"	1 1/8"	1 3/8"	1 3/4"
<b>Door Specifications</b>				
Minimum	3/4" x 2'2" to	7/8" x 2'2" to	1 1/8" x 2'4" to	1 1/4" x 2'6" to
Maximum	1" x 2'0"	1 1/4" x 2'0"	1 1/2" x 2'2"	1 3/4" x 2'4"

It is recommended that three hinges be used on door sizes as indicated above. The center hinge should be installed as close as possible to the top hinge for maximum support.

## Double Acting Spring Hinge

Recommended for use on stock hollow metal or wood doors that are 1¾" thick.

- Door flange designed to fit standard 4½" x 4½" template mortise
- Jamb flange surfaced applied to jamb
- Do not use on doors with hinge edge beveled
- Non-handed
- Packed with all machine screws and half wood screws
- Polished and plated or PC (Prime Coat) finished

1001 6x4½



No.	ANSI Cross Reference	Base Material
1001	K81151	Steel

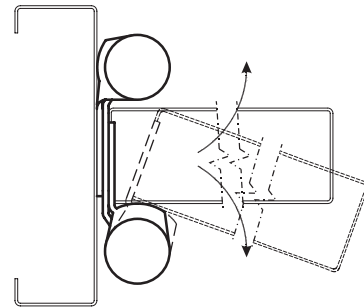
### Specification Schedule for Door 7' High or More

Door Width	Max Door Weight Lbs.*		Lockside Clearance*	
	2 Each	3 Each	Flat Edge	Round Edge
2'0"	96	145	¼"	¼"
2'2"	89	135	¾"	¼"
2'6"	77	125	¾"	¼"
2'8"	72	115	⅛"	¼"
3'0"	64	105	⅛"	¼"

\* Minimum height for weights shown. Hinge capacity decreases as door height decreases.

It is recommended that three hinges be used on door sizes as indicated above. These listed weights include a margin of safety. Minimum clearance required on edge of door and frame on lock side. Hinge side clearance, allow ¼" per door because of jamb flange and hinge body not being mortised. The center hinge should be installed as close as possible to the top hinge for maximum support. Hinge capacity decreases as door height decreases.

Application



## Full Mortise Double Acting Spring Butt-Hinge

Recommended for wood or metal doors for heavy construction

- It is recommended that three hinges be used on door sizes as indicated in the chart
- The center hinge should be installed as close as possible to the top hinge for maximum support
- Door flange mortised or surface applied to door edge
- Jamb flange is surface applied to jamb
- Packed with all wood screws
- Do not use on doors with hinge edge beveled
- Polished and plated or PC (Prime Coat) finished

No.	ANSI Cross Reference	Base Material
9001	K81041	Steel

### Specifications for 8' 19001

Door Weight Lbs.	Door Width	# Hinges/Door
103	3'6"	2
143	4'0"	3

Minimum 1½" Door Style Width 7'0" Door Height\*

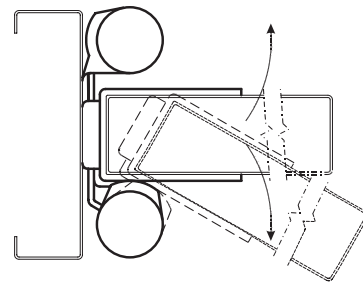
\* Minimum height for weights shown. Hinge capacity decreases as door height decreases.

If doors are extra heavy, we recommend three hinges per door: The third hinge should be installed as close as possible to the top hinge as conditions will permit for maximum support. For doors subjected to severe shock, we recommend the CS Spring Hinge.

9001



Application



## Clamp Flange Spring Hinge

### Recommended for use on trucking doorways

- Clamp door flange is attached to door using thru bolts and nuts
- Jamb flange is surface applied to jamb
- For 13/4" doors
- Non-handed
- Packed with thru bolts and machine screws
- If doors are extra heavy, we recommend three hinges per door. The third hinge should be installed as close as possible to the top hinge as conditions will permit for maximum support
- For doors subjected to severe shock, we recommend the Spring Hinge

**19001**


No.	ANSI Cross Reference	Base Material	Weight
19001	K81111	Steel	HVY

### Specifications for 8' 19001

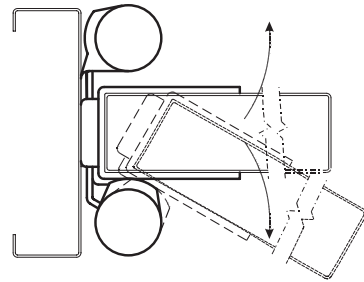
Door Weight Lbs.	Door Width	# Hinges/Door
100	3'6"	2
140	4'0"	3

Minimum 3½" Door Style Width 7'0" Door Height\*

\* Minimum height for weights shown. Hinge capacity decreases as door height decreases.

If doors are extra heavy, we recommend three hinges per door. The third hinge should be installed as close as possible to the top hinge as conditions will permit for maximum support. For doors subjected to severe shock, we recommend the CS Spring Hinge.

Application



## Spring Hinge

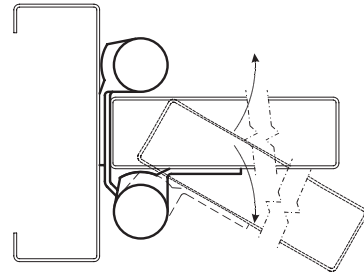
Recommended for thin plywood doors where screws will not hold in edge of door.

- Door flange is surfaced applied to the face of the door
- Jamb flange is surface applied to the jamb
- Non-handed
- Non-template
- Do not use on doors with hinge edge beveled
- It is recommended that three hinges be used on door sizes as indicated below
- The center hinge should be installed as close as possible to the top hinge for maximum support
- Packed with all wood screws
- Available in polished or plated steel or prime coat finish

### HS1001



Application



No.	ANSI Cross Reference	Base Material
HS1001	K81131	Steel

#### Specifications for 3" HS1001

Door Weight Lbs.	Door Width	# Hinges/Door
35	2'0"	2
38	2'8"	3

¾" to 1" Door Thickness 5'0" Door Height\*

\* Minimum height for weights shown. Hinge capacity decreases as door height decreases.

#### Specifications for 4" HS1001

Door Weight Lbs.	Door Width	# Hinges/Door
60	2'8"	2
75	3'0"	3

⅞" to 1¼" Door Thickness 6'8" Door Height\*

\* Minimum height for weights shown. Hinge capacity decreases as door height decreases.

It is recommended that three hinges be used on door sizes as indicated above. The center hinge should be installed as close as possible to the top hinge for maximum support.

## Horizontal Spring Pivot Hinge

Recommended for use on hollow metal or wood doors in residences, restaurants and other public places.

- Application of attaching plate and hinge to the bottom of door is very simple and requires only a rectangular mortise cut
- Anti Friction Bearing
- Adjustable spring tension
- Equipped with a 90° hold open feature
- Non-Handed
- Optional jamb attaching plate for concrete or tile floor (to order, prefix "J" to number)
- Furnished painted or in plated finish



No.	Base Material
3001	Steel
J3001	Steel

### Specification

Door Thickness	1 $\frac{3}{8}$ " to 1 $\frac{3}{4}$ "
Maximum Door Width	3'0"
Maximum Door Weight Lbs.	90

## Gate Spring Pivot Hinge

Recommended for use on wood and metal gates.

- The gate Spring Pivot Hinge has an exterior tension adjustment which can be adjusted after hinge is applied. The Anti-friction bearing carries the weight of the gate and an anti-friction bearing in the top socket reduces friction and wear
- Spring is large enough for heavy duty conditions but the adjustable tension makes it equally suited for light gates
- The 4007 RB Series attachments are applied to the surface of the frame and the box is applied to the bottom surface of the gate. However, in the 4007MRB Series, the box is mortised into the bottom of the gate
- Specify MRB for mortised box and reversed brackets; specify RB for reverse brackets only
- Before ordering, please note clearances in chart
- Anti-Friction Bearings
- Furnished painted or in plated finish

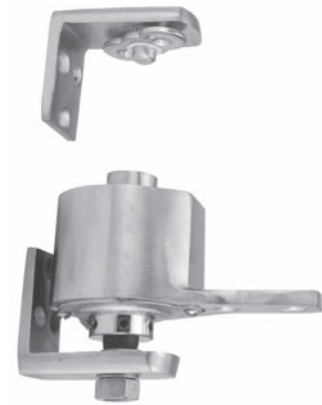
No.	Base Material
4007RB	Cast Steel
4007MRB	Cast Steel

Clearances			
Catalog #	4007MRB	4007RB	
Minimum Clearance Under Gate	2 $\frac{3}{8}$ "	4"	
Gate or Handrail Thickness	1 $\frac{1}{8}$ " -2 $\frac{1}{2}$ "	1 $\frac{1}{8}$ " -2 $\frac{1}{2}$ "	
Weight of Gate	75	75	
Width of Gate	3'0"	3'0"	
Width of Jamb Attachment	1 $\frac{1}{4}$ "	1 $\frac{1}{4}$ "	

4007RB



4007MRB



## Gravity Pivot Hinge

Recommended for use on double acting wood Louvre doors.

- The 8007 features a unique ball bearing pivot riding on a hardened steel cam providing frictionless long lasting service
- The H8007 is similar to the 8007 except that it has a 90° hold open feature in either direction
- Attachments are surface applied to the jamb and the top socket may be surface applied or mortised into the top of the door. The box may be surface applied or mortised into the bottom of the door
- Double acting
- Door weight closes the door – no spring
- Non-handed
- Furnished painted or in plated finish

No.	Base Material
8007	Steel
H8007	Steel

### Specifications for 8007 H8007

Door Thickness	¾" to 1¾"
Door Weight Lbs.	40
Door Width	1'6"
Door Height*	5'0"

\* Maximum height for weights shown. Hinge capacity decreases as gate height decreases.

8007  
H8007



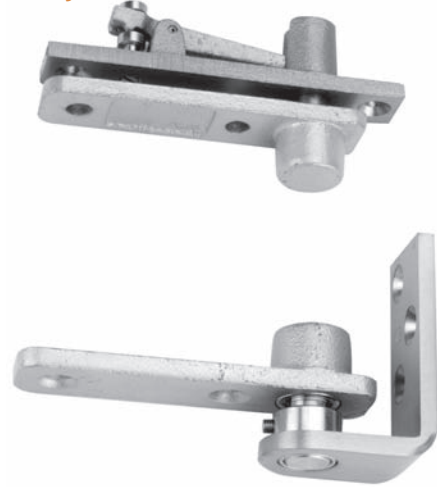


## Jamb Mount Pivot Set

Recommended for installations on average frequency double acting doors in schools, hospitals, institutions and other public buildings.

- Used in conjunction with CSS-9 Combinations Strike and Stops and DS-6 Emergency Door Stops
- Thrust steel ball bearing in bottom pivot, oil impregnated bronze bearing in top pivot
- Center Hung
- Mortised into side jamb
- Full mortise top pivot
- Non-handed
- $1\frac{5}{32}$  radius heel edge of door
- Maximum Door Weight (interior or exterior) up to 125 lbs 3'6" x 8'0"
- All EP-5J Pivot sets are packed with 14 x  $1\frac{1}{2}$ " wood screws and  $\frac{1}{4}$ -20 x  $\frac{5}{8}$ " machine screws
- Ferrous base pivot set polished and plated

EP-5J



### Specifications

No.	ANSI Cross Reference	Base Material
EP-5J	C07042	Steel

### Door Weight Chart

(lbs per square foot)

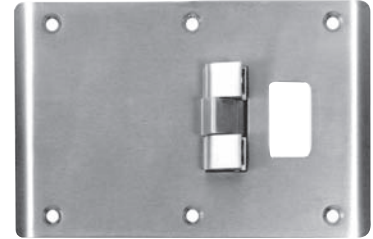
	Door Thickness	
	1 $\frac{3}{4}$ "	2"
Aluminum	3 $\frac{1}{2}$ lbs	5 lbs
Wood- Particle Core	5 lbs	5 $\frac{3}{4}$ lbs
Wood- Stave Block Core	4 lbs	4 $\frac{1}{2}$ lbs
14 Gauge Hollow Metal	8 $\frac{3}{4}$ lbs	10 lbs
16 Gauge Hollow Metal	7 $\frac{1}{2}$ lbs	8 $\frac{1}{2}$ lbs
18 Gauge Hollow Metal	6 $\frac{1}{2}$ lbs	7 $\frac{1}{2}$ lbs

## Combination Strike and Stop

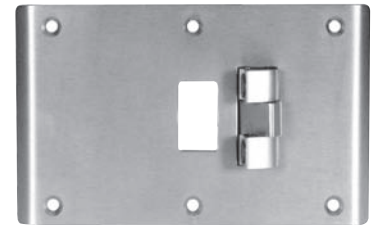
Recommended for installations on hospital or nursing home bathroom doors along with our EP-5J. This unit allows center hung or 1/8" inset doors to be opened in both directions without damaging the frame.

- Manufactured for use with cylindrical or bored locks
- Available in offset or center hung latch bolt location for frame sizes 5 3/4", 5 7/8" and 6 3/4"
- Custom units available for frame sizes 3 1/2" - 10" consult factory for availability
- For use on 1 3/4" thick doors
- Cannot be used with deadbolts. May not work with mortise locks. Consult the factory for mortise lock application of CORBIN RUSSWIN, SARGENT and YALE compatibility
- All Combination Strike and Stops are packed with 1/2 x 8-32 machine screws
- Available in brass material polished and plated

CSS-9  
Offset Hung



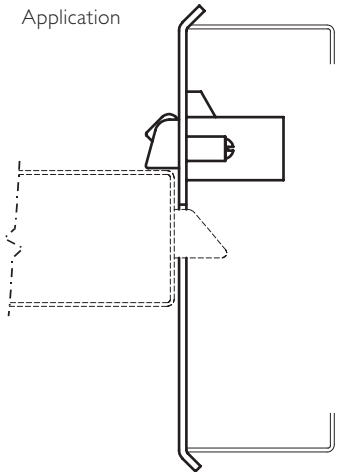
CSS-9  
Center Hung



No.	ANSI Cross Reference	Base Material
CSS-9	K81111	Brass

### Specifications

Inches	mm	Gauge	No. of Holes	Fasteners Machine
5 3/4"	146.1	.095	6	1/2 x 8-32
5 7/8"	149.2	.095	6	1/2 x 8-32
6 3/4"	171.5	.095	6	1/2 x 8-32



## Emergency Door Stop

Recommended for installation with our EP-5J pivot in schools, hospitals, institutions and other public buildings. This unit allows center hung or 1/8" inset doors to be opened in both directions without damaging the frame.

- Used to convert double acting doors hung on center pivots to single acting doors
- Emergency release allows door to swing open in the opposite direction
- Mortise only on frame
- Latch releases with a touch of the finger
- Second touch of lever returns latch to original position
- Available in brass material polished and plated

**DS-6**

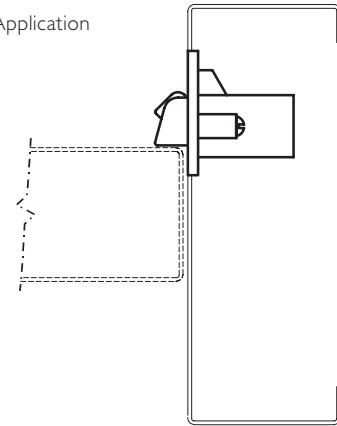


No.	ANSI Cross Reference	Base Material
DS-6	A1882	Brass

### Specifications

Inches	mm	Gauge	No. of Holes	Fasteners
				Machine
Surface Plate 4 1/2" x 1 5/8"	114.3 x 41.3	.134	4	1/2 x 12-24
Bolt height 13/4"	44.5			

Application



## Double Lipped Strike

Recommended for installations on hospital or nursing home bathroom doors along with our EP-5J and DS-6 Emergency Stop. This unit allows center hung or 1/8" inset doors to be opened in both directions without damaging the frame.

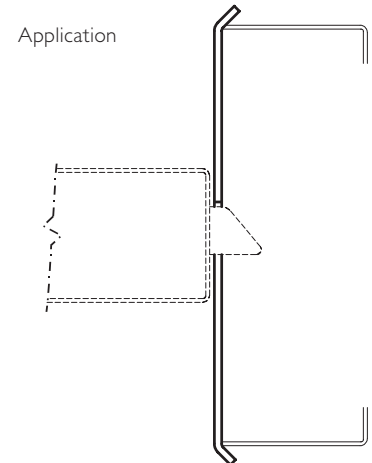
- Manufactured for use with cylindrical or bored locks
- Available in offset or center hung
- Latch bolt location for frame sizes 5 3/4" and 6 3/4"
- Custom units available for frame sizes 3 1/2" - 10"  
Consult factory for availability
- For use on 1 3/4" thick doors
- Cannot be used with deadbolts. May not work with mortise locks. Consult the factory for mortise lock application of CORBIN RUSSWIN, SARGENT and YALE compatibility
- All Combination Strike and Stops are packed with 1/2 x 8-32 machine screws
- Available in brass material polished and plated

No.	Base Material
DLS-8	Brass

### Specifications

Inches	mm	Gauge	No. of Holes	Fasteners
				Machine
5 3/4"	146.1	.095	6	1/2 x 8-32
6 3/4"	171.5	.095	6	1/2 x 8-32

### DLS-8



## ElectroLynx® Hinge (QC option)

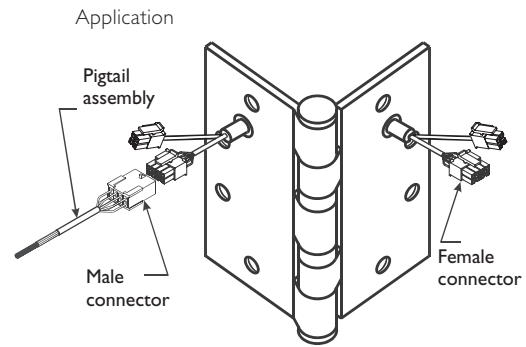
Each hinge features concealed plug connectors that eliminate the need for separate or exposed wiring. Standard connectors make installation quick and simple. Brass eyelets add protection and durability.

- The QC option is available on standard and heavy weight full mortise bearing hinges as well as swing clear and wide throw hinges
- Electric hinges allow a constant flow of current from the power source through the hinge to electrified door hardware. No external wires can be seen, eliminating tampering and improving the aesthetics of the door opening
- Materials: brass, stainless steel, and steel
- For 4 amp continuous @ 24 volts AC or DC per circuit, 28 gauge multi-strand wires are used. A pigtail is provided for connection to the source wiring
- An 8 position connector is used for QC2, QC4, QC6 and QC8 wire hinges. An 8 position and a 4 position connector is used for QC12 wire hinges. A QC2A wire hinge is available for power on, power off applications
- Hand of hinge must be specified on two knuckle hinges
- Can be used in conjunction with MM option on most full mortise hinges. QC10 x MM and QC12 x MM not recommended for wood or solid core doors
- Full Mortise QC hinges are available in most BHMA and McKinney powder coat finishes
- Wires are coordinated to work with other ASSA ABLOY Group brands electro-mechanical hardware

\*Electric hinges should be installed in the center position on the door. Installation instructions are packed with each hinge.

\*Hinges are factory tested and specially packaged to minimize against damage during shipment.

3-Knuckle	5-Knuckle
TA314	TA2314
TA714	TA2714
TA386	T4A3386
TA786	T4A3786
	TA2895
	T4A3395
	T4A3795



Back of 12 wire hinge shown

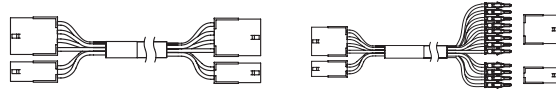
### Options:

Code	Description
QC2A	1 circuit
QC2	1 circuit
QC4	2 circuits
QC6	3 circuits
QC8	4 circuits
QC10	5 circuits
QC12	6 circuits

## ElectroLynx® Retrofit Cable Sizes

If you are not ordering ASSA ABLOY Door Group doors with the ElectroLynx® cable pre-installed in the door, you must order an ElectroLynx® retrofit cable to go between ANY hardware and the hinge. This includes 3" cables to go from the hinge to an exit device and up to a 15' cable to go up and around a full lite metal door.

### Standard ElectroLynx® Retrofit Cable Sizes



Actual Cable Length	12 Conductor and Molex both ends	12 Conductor and Molex one end, pinned one end	Typical Application
3"	QC-C003	QC-C003P	
6"	QC-C006	QC-C006P	Between hinge and the end of an exit device.
12"	QC-C012	QC-C012P	
26"	QC-C200	QC-C200P	
32"	QC-C206	QC-C206P	
38"	QC-C300	QC-C300P	Between hinge and through the door to the lockset or exit device trim.
44"	QC-C306	QC-C306P	
50"	QC-C400	QC-C400P	
15' 2"	QC-C1500	QC-C1500P	From the hinge location, up the jamb to above the ceiling, or up and around full lite or half lite metal door.

### ElectroLynx®

As part of their promise to provide innovative, fast and effective high security solutions to their customers, certain ASSA ABLOY Group brands offer ElectroLynx®, a universal quick-connect system that simplifies the electrification of the door opening.

ElectroLynx® is a registered trademark of ASSA ABLOY Inc.

### Hardwiring Made Easy™



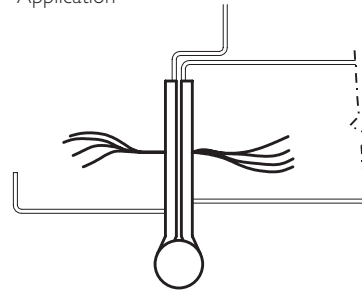
## Concealed Circuit Electric Hinge (CC option)

McKinney Concealed Circuit (CC) electric hinges allow a constant flow of current from the power source through the hinge to electrified door hardware. No external wires can be seen, eliminating disruption of power due to tampering or disconnection, and improving the aesthetics of the opening.

- Allows operation of devices requiring power such as electric locks, electric strikes, and electric latch retraction exit devices
- Wires are contained within the hinge – invisible and tamperproof
- Available with most two, three, and five knuckle bearing hinges.
- Available with 2, 4, 6, 8, 10 or 12 wires
- Materials: standard and heavy weight, brass, steel, and stainless steel
- Four amp continuous @ 24 volts AC or DC per circuit  
16.0 Amps intermittent duty (pulse) for 300 milliseconds
- CC option has 28 gauge wire
- CC-18 option has 2 18 gauge wires and the remainder 28 gauge wire
- Can be used in conjunction with MM option on most full mortise hinges. CC10 x MM and CC12 x MM not recommended for wood or solid core doors
- Optional Mortar guard MG-16 available
- Hinges are supplied with 8" (305) leads as standard. Extra lengths are available at additional cost
- **Note:** Two knuckle style is handed



Application



### Heavy Duty

Suffix	Wires	Capacity
CC2-18	2	1 circuit
CC4-18	4	2 circuits
CC6-18	6	3 circuits
CC8-18	8	4 circuits
CC10-18	10	5 circuits

### Options:

Suffix	Wires	Capacity
CC2	2	1 circuit
CC4	4	2 circuits
CC6	6	3 circuits
CC8	8	4 circuits
CC10	10	5 circuits
CC12	12	6 circuits

## ElectroLynx® Power over Ethernet (PoE) Hinge

The McKinney ElectroLynx® PoE Quick Connect hinge provides for the passing of Ethernet data through the door opening. Installation is a snap with the friendly “plug and play” connectors which allow power to be linked from the incoming source through the door to the electrified hardware. PoE data is bidirectional.



- Brass eyelets add protection and durability to the PoE hinge which features common wire colors coordinated to work with intelligent Power over Ethernet electromechanical hardware from SARGENT and Corbin Russwin
- The PoE hinge should be installed in the second from bottom hinge position on the door. Once installed, it will give no outward indication of its function and will transfer power and data efficiently and reliably, as long as the wire capacity is not exceeded
- All PoE hinges are factory tested and specially packaged to minimize damage during shipment. Installation instructions are packed with each hinge. Along with the PoE hinge, mating PoE door and frame side harnesses are required to complete the opening. The required PoE harnesses must be ordered separately
- Specify suffix PoE

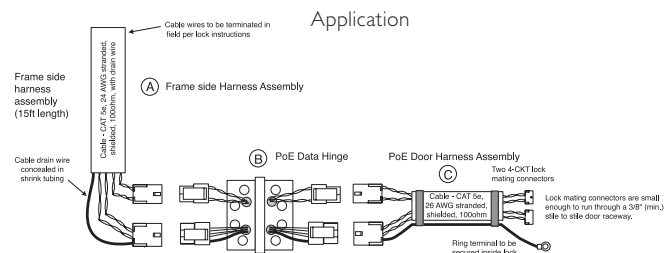
\*Available on:

4½" and 5" TA2314 & TA2714 Standard Weight 5 Knuckle  
 4½" and 5" T4A3386 & T4A3786 Heavy Weight 5 Knuckle

### PoE Option



U.S. Patent No. 7,824,200



Harness Length	McKinney Catalog #	Door Side Application
30"	PoE-C206P	20" to 25" door width (doors with 3 butt hinges with PoE hinge in center to stile to stile raceway to lock prep).
36"	PoE-C300P	26" to 31" door width (doors with 3 butt hinges with PoE hinge in center to stile to stile raceway to lock prep).
42"	PoE-C306P	32" to 36" door width (doors with 3 butt hinges with PoE hinge in center to stile to stile raceway to lock prep).
48"	PoE-C400P	37" to 42" door width (doors with 3 butt hinges with PoE hinge in center to stile to stile raceway to lock prep).
54"	PoE-C406P	43" to 48" door width (doors with 3 butt hinges with PoE hinge in center to stile to stile raceway to lock prep).
60"	PoE-C500P	Door Harness Assembly
84"	PoE-C700P	Door Harness Assembly
156"	PoE-C1300P	Door Harness Assembly
<b>EPT Harness</b>		
360"	PoE-CEPT30	EPT Harness Assembly
<b>Frame Side Application</b>		
180"	PoE-C1500P	From the hinge location, up the jamb to wall/ceiling



## Magnetic Monitoring Hinge (MM Option)

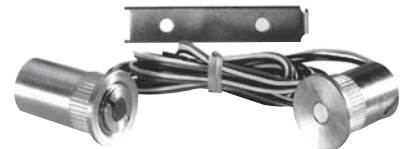
The McKinney Magnetic Monitoring Hinge is the only system on the market that permits field replacement of magnet and switch. It is a simple, dependable system which defies detection, yet is readily accessible for inspection and easy adjustment.

- MM Electric Hinges should be installed in the center position on doors with three hinges or the second hinge position from the bottom on doors with four hinges
- Neither switch nor operating magnet are attached to the hinge. Non-attachment feature reduces the chance of damage during installation. Installation instructions packed with each hinge. All MM Electric Hinges are individually factory pre-tested
- The MM feature is available on most two, three and five knuckle full mortise standard and heavy weight hinges, and our full mortise aluminum continuous hinges. Consult the individual catalog pages for this option feature
- For low voltage (48 volt maximum) .25 Amps AC or DC non-inductive load
- Magnetic reed concealed switch impervious to dirt and moisture
- Narrow Stile (NS) Switch and Wide Gap Magnet options available
- Can be used in conjunction with QC option on most full mortise hinges up to QC12. QC10 x MM and QC12 x MM not recommended for wood or solid core doors
- Can be used in conjunction with CC option on most full mortise hinges up to CC12 Wire. CC10 x MM and CC12 x MM not recommended for wood or solid core doors

### MM Option

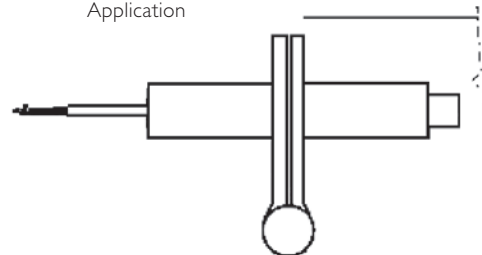


Front View



Back View

Application



#### U.L. Listing

6V	.25 Amps
12V	.25 Amps
24V	.125 Amps
48V	.062 Amps

## Aluminum Continuous Geared Electric Hinge

The McKinney electrified continuous hinge is furnished polyurethane coated 4, 8, or 12 TRI-FLEX titanium copper alloy cables with Molex connectors at each leaf.

Two options allow variable degrees of service to be performed at the specific location of current carrying cables via either a removable 8" or a pivoting 8" section of the hinge. Both of these options, SER, and ACC are available as 4, 8 or 12 wire configurations.



- Performance tested 3,000,000 cycles with the TRI-FLEX titanium copper alloy cables
- Each cable carries 7 amps continuous @ 24 volts with a 16 amp in-rush for 820 milliseconds
- TRI-FLEX cable conductor is warranted for 5 years
- Hinges are handed
- Available on edge hung aluminum continuous hinges
- Each electrical prep is supplied with a 48" and 120" wire harness
- ElectroLynx® HC-6/4 or HC-6/8 pigtails are included in pack for installation with other ASSA ABLOY ElectroLynx® products
- Standardized prep locations on 83", 85", 95" and 120" hinges

### SER OPTION



### OPTIONS

#### Serviceable/Removable (SER)

The hinge is furnished to be installed in three sections, allowing the current carrying cables to be serviced or replaced without removing the door from the frame. Additionally the SER option allows the current carrying cables to be safely stored or delivered to the electrician or security contractor prior to the installation of the electrified hardware, eliminating the necessity of the electrician or security contractor being present when the doors are being hung.

#### Accessible (ACC)

The hinges are furnished to be installed in a single section with each leaf modified to pivot at the location of the current carrying cables and allow access to the cables and connected wiring. Electrical modification is in the center of the hinge.

**Concealed Magnetic Monitoring (CM)** is also available with the SER and ACC options.

## Stainless Steel Pin & Barrel Continuous Electrified Hinges

The McKinney Electrified Hinge option is available on FM300, FM3500 and FM3700 edge mount hinges.

- 14 Gauge, type 304 stainless steel, features .25 diameter stainless pin
- Symmetrically templated hole pattern
- FM300 & FM3700 supports weight up to 600 lbs.; FM3500 supports up to 900 lbs. (maximum 4'0" door width)
- Hinges are handed
- EL option has ElectroLynx® Connectors for quick connection. The CE option with no connectors is available upon request
- Optional ETAP electrical transfer prep available
- Available in 4, 8 or 12 wire configurations

EL Concealed Current Transfer (Standard Prep Locations)

For McK-FM300, McK-FM3500, McK-FM3700

EL-4 Qty (4) 28 Gauge Wires

EL-8 Qty (8) 28 Gauge Wires

EL-12 Qty (12) 28 Gauge Wires



### FM300 WITH EL-12 OPTION



## Electrical Power Transfer (EPT)

- Installs in the door and frame edges
- Accepts a thick cable and protects it within a flexible steel shield
- Device that will work on most doors hung using butt hinges, continuous hinges or pivots
- Will not function on a center pivot door

Part #	Description
McK-EPT	Electrical power transfer
McK-EPTL	Electrical power transfer, long
McK-EL-EPT	ElectroLynx® EPT -12 wire
McK-EL-EPTL	ElectroLynx® EPTL -12 wire

## Door Cord

- Simplest and most economical solution for power transfer
- Consists of an 18" or 36" armored stainless steel cable and plastic end pieces in light gray and black
- Cable has an interior diameter of .25"
- Supports interior wire cables up to .2"

Part #	Description
McK-TSB-C	Door cord with gray/black caps 18" cord
McK-TSB-CXL	Door cord with gray/black caps 36" cord

Hardwiring Made Easy™



### McK-EPTL, McK-EPT



### McK-TSB-C



## Service Kit

The service kit includes a quantity of every different type of connector and terminal required for repairing product connections/terminations or pinning wires on certain retrofit harnesses.

Contains 10 each 2, 4, 8 Molex receptacles and plugs as well as corresponding terminals, extraction tool and pinning assembly guide.

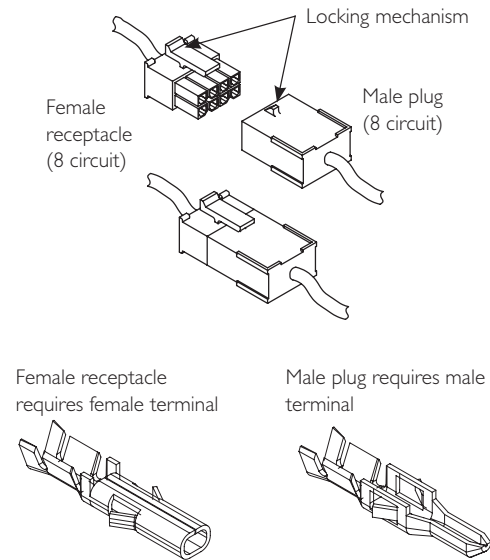
Part #	Description
QC-R001	Service Kit

### Miscellaneous Parts

Quantity	Part #	Description
1 bag (100 pc)	QC-RF2	Female receptacle (2ckt)
1 bag (100 pc)	QC-RF4	Female receptacle (4ckt)
1 bag (100 pc)	QC-RF8	Female receptacle (8ckt)
1 bag (100 pc)	QC-RM2	Male plug (2ckt)
1 bag (100 pc)	QC-RM4	Male plug (4ckt)
1 bag (100 pc)	QC-RM8	Male plug (8ckt)
1 bag (100 pc)	QC-FT2024	Female terminal (AWG 20-24)
1 bag (100 pc)	QC-FT2630	Female terminal (AWG 26-30)
1 bag (100 pc)	QC-MT2024	Male terminal (AWG 20-24)
1 bag (100 pc)	QC-MT2630	Male terminal (AWG 26-30)
1 bag (10 pc)	QC-DCC	Pinning assembly guide

## QC-R001

Hardwiring Made Easy™



The plug and receptacle connectors are designed to mate and lock together as shown in the figure. Plug the connectors onto each other with the locking mechanism aligned as indicated.

## Molex Hand Crimp Tool

The crimp tool is required for adding Molex terminals (connector pins) to wires used with ElectroLynx® products. The tool is intended for low volume, or repair requirements only.

Part #	Description
QC-R003	Molex Hand Crimp Tool

## QC-R003



## Extraction Tool

The extraction tool is a simple hand tool used to remove damaged terminals from an ElectroLynx® female receptacle or male plug.

Part #	Description
QC-R002	Extraction Tool

QC-R002



## Junction Box For Electric Hinges

Recommended for use with our Concealed Circuit Hinges to protect wires. Unit to be installed in middle hinge location.

- Knock-out holes on both ends for wires to pass through
- Removable cover plate from end brackets
- Guard supplied assembled for use with electric hinges
- Fits hinge reinforcements for 4½" or 5" contract grade hinges
- 20 gauge galvanized sheet steel, furnished in 2C finish

MG-16



Part #	Description
MG-16	Junction Box

## StormPro® Tornado Resistant Hinges

Built to withstand the extreme wind speeds and flying debris associated with severe weather conditions.

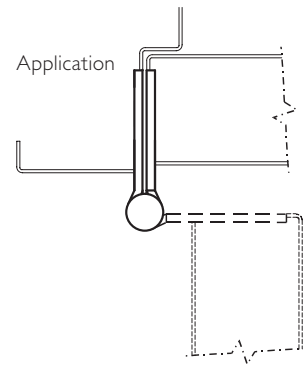
- McKinney StormPro® hinges are part of the integrated unit when used with CECO StormPro® 361, Curries StormPro® 361 and Baron F-5 doors and frames, along with other StormPro® hardware by ASSA ABLOY Group brands
- All StormPro® products should be ordered as a complete integrated unit including the door, frame and other StormPro hardware
- Use for the common flush door/frame/wall application
- Fire rated thru 3 hours
- Packed with stainless steel machine screws

No.	ANSI Cross Reference	Base Material	Weight
SP3386	A5111	Stainless	HVY
SP3786	A8111	Steel	HVY

### Specifications

Inches	mm	Gauge	No. of Holes	Fasteners
				Machine
4½" x 4½"	114.3 x 114.3	.180	8	½ x 12-24
5" x 4½"	127 x 114.3	.190	8	½ x 12-24

SP3386  
SP3786



### Options:

Code	Description
NRP	Non-Removable Pin

## Pocket Pivot Hinges

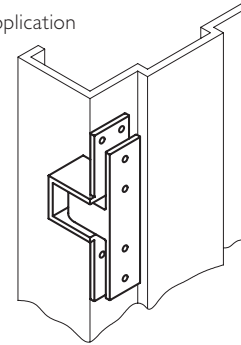
Recommended for applications where use of the full width of the corridor is required, such as cross corridor and smoke and fire doors as well as patient room doors.

- The Full Mortise Pocket Pivot Hinge is designed to give a flush appearance to the corridor when the door is open and recessed into a pocket in the corridor wall
- For single and cross corridor doors, the PH-4 allows the door to lay against the wall with no projection into the opening and no gap between the door and frame
- When combined with a floor closer, this application has minimum visible hardware and clearances
- The PH-4 Full Mortise Pocket Pivot Hinge meets material and performance requirements of NFPA-80 and ANSI A-156-1
- Meets or exceeds ANSI A117.1 – 1986 Providing Accessibility and Usability for Physically Handicapped People
- Investment cast steel base material (for finishes see page 29)
- Two thrust bearings for vertical loads
- Roller bearing for lateral support
- Listed for both hollow metal or steel covered composite fire doors rated up to 3 hours
- Listed for wood core type fire doors rated 20 minutes
- Non-handed

PH-4



Application



### Specifications

No.	Base Material	Gauge	No. of Holes	Fasteners	
				Machine	Wood
PH-4	Cast Steel	.187	10	3/4 x 12-24	1 1/4 x 12

### Specifications

Door Weight (Lbs.)	Door Width	# Hinges/Door
150	3'0" x 7'0"	2
250	3'0" x 7'0"	3
350	4'0" x 7'0"	4

Recommended for applications where Swing Clear Hinges are aesthetically unacceptable and use of the full width of the corridor is required, such as cross corridor and smoke and fire doors as well as patient room doors.



Meets or exceeds  
 ANSI A117.1 - 1986  
 Providing Accessibility  
 and Usability for Physically  
 Handicapped People

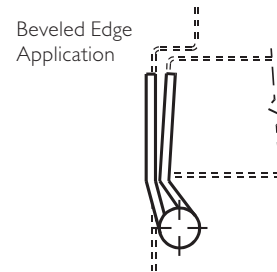
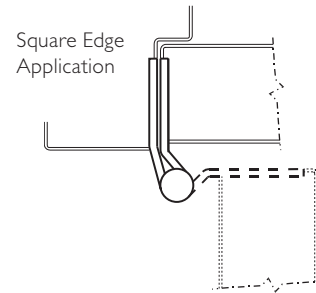


## Raised Barrel Hinges

Raised Barrel Hinges are recommended for use where the door is set in a deep reveal.

- Standard weight raised barrel hinges are recommended for use on average frequency and/or medium weight wood or metal doors where the door is set in a deep revealed frame
- Standard weight raised barrel hinges are supplied with a no hole bottom plug and the pin is held in place by an NRP set screw which allows the hinge to be reversible. Specify RB-TA4714/RB-TA4314 for doors beveled on hinge side
- Heavy weight raised barrel hinges are recommended for use on high frequency and/or heavy wood or metal doors where the door is set in a deep revealed frame
- Heavy weight raised barrel hinges are supplied with a no hole bottom plug and the pin is held in place by an NRP set screw which allows the hinge to be reversible. Specify RB-T4A4786/RB-T4A4386 for doors beveled on hinge side
- Door leaf mortised into door
- Frame leaf may be mortised or surface applied
- Reversible Hinge

**RB-TA2314**  
**RB-TA2714**



No.	Base Material	Weight
RB-TA2714	Steel	STD
RB-TA2314	Stainless Steel	STD
RB-T4A3786	Steel	HVY
RB-T4A3386	Stainless Steel	HVY

### Specifications

Inches	mm	Gauge	No. of Holes	Fasteners	
				Machine	Wood
4½" x 4½"	114.3 x 114.3	.134	8	½ x 12-24	1¼ x 12
4½" x 4½"	114.3 x 114.3	.180	8	½ x 12-24	1¼ x 12

## Slip-In Hinge: Type 1 and Type 2

Recommended for use on average frequency and/or medium weight aluminum doors with aluminum frames in schools, hospitals and other public buildings where medium traffic is experienced.

### Type 1

- One leaf has standard punching and countersinking and the other leaf is drilled and tapped so it can be inserted through a slot in the door or frame. Both leaves are specially swaged to provide  $\frac{3}{16}$ " clearance between leaves when parallel
- Hinges are handed - Indicate hand when ordering. LH shown, RH opposite

### Type 2

- Both leaves are drilled and tapped so they can be inserted through a slot in the door and frame. Both leaves are specially swaged to provide  $\frac{5}{16}$ " clearance between the leaves when parallel
- Hinges are non-handed

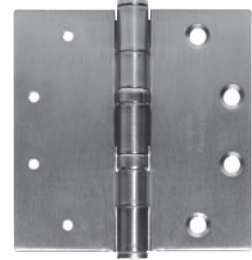
No.		Base Material	Weight
TA2314	Type 1	Stainless Steel	STD
TA2714	Type 1	Steel	STD
TA2314	Type 2	Stainless Steel	STD
TA2714	Type 2	Steel	STD

### Specifications

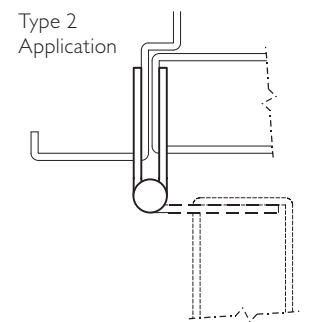
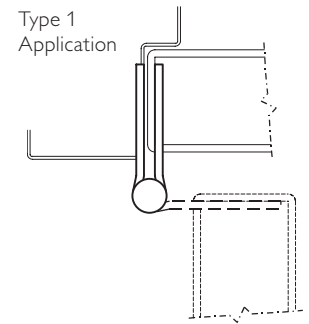
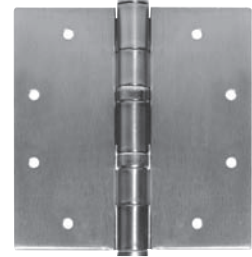
Inches	mm	Gauge	No. of Holes	Fasteners	
				Machine	Wood
4" x 4" Type 1	101.6 x 101.6	.130	8	$\frac{1}{2}$ x 12-24	1 $\frac{1}{4}$ x 12
4 $\frac{1}{2}$ " x 4" Type 1	124.3 x 101.6	.134	8	$\frac{1}{2}$ x 12-24	1 $\frac{1}{4}$ x 12
4 $\frac{1}{2}$ " x 4 $\frac{1}{2}$ " Type 1	124.3 x 124.3	.134	8	$\frac{1}{2}$ x 12-24	1 $\frac{1}{4}$ x 12

Inches	mm	Gauge	No. of Holes	Fastener
				Machine
4" x 4" Type 2	101.6 x 101.6	.130	8	$\frac{1}{2}$ x 12-24
4 $\frac{1}{2}$ " x 4" Type 2	124.3 x 101.6	.134	8	$\frac{1}{2}$ x 12-24
4 $\frac{1}{2}$ " x 4 $\frac{1}{2}$ " Type 2	124.3 x 124.3	.134	8	$\frac{1}{2}$ x 12-24

Type 1:



Type 2:



### Options:

Code	Description
NRP	Non-Removable Pin

## Full Mortise Interim Hinges

Recommended for installations where door and frame are prepped for two different size hinges.

- For new or retrofit installations
- An equal amount is trimmed from the top and bottom of the leaf
- Interim hinges are supplied with a no hole bottom plug and the pin is held in place by an NRP set screw which allows the hinge to be reversible
- Available in both standard (TA2714; TA2314) and heavy weight (T4A3786; T4A3386)
- For finishes see page 29

**TA2714**  
**Interim**



No.	Base Material	Weight
TA2714 Interim	Steel	STD
TA2314 Interim	Stainless Steel	STD
T4A3786 Interim	Steel	HVY
T4A3386 Interim	Stainless Steel	HVY

### Specifications

Door Leaf	Jamb Leaf	Gauge	No. of Holes	Fasteners	
				Machine	Wood
5"	4½"*	.146 STD	8	½ x 12-24	1¼ x 12
4½"*	5"	.146 STD	8	½ x 12-24	1¼ x 12

### Specifications

Door Leaf	Jamb Leaf	Gauge	No. of Holes	Fasteners	
				Machine	Wood
5"	4½"*	.190 HVY	8	½ x 12-24	1¼ x 12
4½"*	5"	.190 HVY	8	½ x 12-24	1¼ x 12

\*Trimmed to height

## Residential Hinges

Recommended for use on light weight, low frequency doors hung in wood jambs in residential construction.

- Full mortise on both doors and jambs
- Supplied with all wood screws as standard
- **Note:** The plated finish on this non-contract grade hinge may not match that of an architectural grade hinge

No.		Base Material	Weight
1400	Square Corner	Steel	LT
1414	¼" Radius Corner	Steel	LT
1458	⅝" Radius Corner	Steel	LT

### Specifications

Inches	mm	Gauge	No. of Holes	Fasteners Wood
3½" × 3½"	88.9 × 88.9	.099	6	¾ × 9
4" × 4"	101.6 × 101.6	.099	8	1 × 9

3-1/2 X 3-1/2  
1400  
Hole Pattern



4 X 4  
1400  
Staggered  
Hole Pattern



## Continuous Geared Aluminum Hinges

Two full-height, paired and geared leaves are manufactured from extruded 6063-T6 aluminum alloy / temper with pinless assembly that is designed to distribute load stress uniformly along the full length of the door and frame.

To reduce wear, the frame and door leaf are independently machined and then anodized. This allows the machined aluminum surfaces that are in direct contact with the bearing to have a smoother, harder surface.

The continuous hinge acts as reinforcement for both door and frame. Special hinge reinforcements are not required. However door and frame manufacturers standard is acceptable and removal of hinge reinforcements in the door and frame is not advised. If hinge reinforcements are left in place, hinge fillers are needed before installation of hinge.

The patented chemical composition and injection process used to produce our bearings provides for a stronger more accurately formed bearing which eliminates premature wear, guarantees proper alignment, and requires fewer bearings to carry more weight. The intermeshing gear segments in the hinge now provide 50% more bearing surface, which results in less wear.

The gear design ensures identical operation of each leaf, requiring little effort to open heavy, commercial-grade doors.

Door Size	Hinge Length	# of Bearings	Door Weight
6' 8"	79"	26	520 lbs
7' 0"	83"	27	540 lbs
7' 2"	85"	27	540 lbs
8' 0"	95"	31	620 lbs
10' 0"	120"	39	780 lbs

Heavier weight can be carried. Contact the factory at 800-346-7707 for applications and those not listed in the above chart.

## Cycle Requirements

These hinges are Guaranteed For The Life of the Opening (Flat cable conductor or electrically modified hinges are guaranteed for five years). They are tested and certified by UL® (USA & CANADA) to standards UL10B, UL10C and UB7C.2 Part B & BS476 (positive pressure) for up to a 3-hour (A-Label) Fire Listing for all 4'0" x 10'0" and 8'0" x 10'0" door and frame assemblies.

These hinges have been cycle tested using a 150 lb. door and are now certified fully functional after 1.5 million cycles. Per ANSI / BHMA Standard A156.26-2000, these hinges conform to:

- Grade 2-150 (150# Door @ 1,500,000 cycles)
- Grade 1-300 (300# Door @ 1,000,000 cycles)
- Grade 2-300 (300# Door @ 500,000 cycles)
- Grade 1-600 (600# Door @ 500,000 cycles)

### Fire Rating

- 3 hours- hollow metal doors\*
- 90 minutes- wood fire doors

\*FirePins™ are required only for 3 Hour (A Label) Assemblies see page B for additional information



**LISTED**  
**Door Hinges**  
**76Y2**

### Mounting Hardware

To prevent warping of the door along the hinge edge, screws are located along the full length of the hinge.

These hinges are ideal for use on center-core, lead-lined doors.

## Electrical Modifications

Performance testing has shown that 3,000,000 cycles can be achieved using our exclusive polyurethane coated 4, 8, or 12 TRI-FLEX titanium copper alloy cables which is capable of carrying 7 amps @ 24 volts with a 16 amp in rush current for 820 milliseconds. An in-line fuse is not provided.

The standard standard Quick Connect electrically modified hinges are supplied with Molex connectors at each leaf, with 4, 8 or 12 wires at each leaf and two 6" pigtails for use with ElectroLynx® doors and hardware supplied by other ASSA ABLOY companies. In addition, these hinges are packaged with a 48" and a wire harnesses with connector on one end and leads for hard wiring on opposite end.

Our new Serviceable, SER, and Accessible, ACC, versions (refer to catalog page EH-6) come furnished with the hardware noted above. The SER version is supplied in three separate sections which allows for the door to be installed and the 8" electrical section to be installed at a later time.

The ACC version is supplied as a single hinge with the leaves modified to pivot at the location of the current carrying cables. This allows for access to cables and connected wiring.

### Power Transfer Cut Outs

**PT & EPT** Preps are available. A prep form must accompany your order and indicate handing, dimension from top of hinge to PT location, etc.

**PT** for: Adams Rite, Securitron, Yale, Centurion, Dorma, PEMKO

**EPT** for: Von Duprin, Securitron, PEMKO

**LPT** for: Securitron, Adams Rite, PEMKO

### Magnetic Monitoring Hinge

(MM Suffix) is available alone or with the QC option.

## Other Available Options

*Options may require handing. Refer to individual catalog pages for availability.*

**DD** Dutch Door Prep

**HT** Hospital Tip

Custom length, indicate handing and length in inches.

**FirePins™ Kit** (for 3 hour openings)

## Finishes

**CL** Clear anodized aluminum

**BZ** Dark anodized aluminum

**G** Gold anodized aluminum

**BL** Black anodized aluminum

**SN** Brushed satin nickel anodized aluminum

Consult the factory for availability of custom colors on complete hinges or gear caps only.

## Edge Hung Hinges

1. Fasteners are #12-24 x 7/16" Type C, FH U/C thread forming screws.

- 20 Screws are required per leaf
- Wood Screws available on request and should be specified on order
- 1/2 x 12-24 Torx Security Head Machine Screws available on request

## Full-surface Hinges

1. Frame Portion all fasteners are #12-24 x 7/16" Type C, FH U/C thread forming screws.

- 12 Screws are required for frame leaf –Wood Screws available on request
- 1/2 x 12-24 Torx Security Head Machine Screws available on request

2. Door Portion

- Thru-Bolt 1/4-20 x 1 5/8"
  - 4 Required per hinge
- Shoulder Bolt 1/4-20 x 1" PCH
  - 4 Required per hinge
- Pan Head Self Drilling #12 x 3/4"
  - 6 Required per hinge

## Half-Surface Hinges

1. Frame Portion all fasteners are #12-24 x 7/16" Type C, FH U/C thread forming screws.

- 20 Screws are required per leaf
- Wood Screws available on request and should be specified on order
- 1/2" x 12-24 Torx Security Head Machine Screws available on request

2. Door Portion :

- Thru-Bolt 1/4-20 x 1 5/8"
- 4 Required per hinge
- Shoulder Bolt 1/4-20 x 1" PCH
- 4 Required per hinge
- Pan Head Self Drilling #12 x 3/4"
- 6 Required per hinge

## Hinge Installation

The top of the hinge should be installed flush with the top of the door.

Installation instructions are included with each hinge.

## Standard Sizes

Nominal Door Size	Hinge Length	Hinge Length
6' 8"	79"	2006 mm
7' 0"	83"	2108 mm
7' 2"	85"	2159 mm
8' 0"	95"	2413 mm
10' 0"	120"	3048 mm

– 79", 83", 85" 95" and 120" lengths are standard for nominal door heights. The hinges may be ordered in custom lengths, specify handing and length in inches.

– These hinges may also be cut in the field. If the hinge must be shortened, cut the bottom only using a chop saw. This will allow material chips to work out after the installation. Although the hinge is typically not handed, it becomes handed after cutting and the cut edge must be installed at the bottom.

## Drill Size Chart

### 12HD, 14HD, 22HD, WTHD, 25HD, 28HD & 54HD

Material	Thickness	Drill Size
Aluminum	.090 - .140	13
Metal	20 Gauge	17
Metal	16 - 18 Gauge	15
Metal	12 - 14 Gauge	13
Wood	N/A	5/32"

### 58HD

1/4-20 Screws

Aluminum	.090 - .140	7
Metal	12 - 16 Gauge	7
Metal	18 - 20 Gauge	9

## Why Choose a McKinney Continuous Geared Aluminum Hinge?

McKinney commercial grade hinges consist of two full-height paired and geared leaves. Each geared leaf rotates evenly from top to bottom riding on proprietary anti-friction bearings. The geared leaves and bearings are held together by a full-length channel cap. This assembly retains the smooth, clean lines of the door and frame while easily supporting heavy vertical loads.

### Security, Safety, Privacy, Ease of Maintenance

- Eliminates alignment problems, such as door sag and binding. Our continuous hinge distributes load stress uniformly along the full length of the hinge
- Our inter-meshing gear design, which provides 50% more bearing surface, ensures less wear and identical operation of each leaf, therefore, minimizing effort to open heavy commercial grade doors
- Screws located along the full length of the hinge prevents warping of the door along the jamb
- Anodizing is performed after completing all machining; this allows all aluminum surfaces in direct contact with the bearing to have a smoother, harder surface, thereby reducing wear
- With our geared construction and full length channel cap, the common gap between the door and frame is sealed, thereby providing security against prying
- Sightproof design of the continuous hinge provides privacy for lavatories, executive offices, file rooms, etc
- Superior hinge design and bearings eliminate premature wear, guarantee proper alignment, and require fewer bearings to carry more weight. This is why we can guarantee our hinge for the Life Of the Opening\*
- Our QC, Serviceable and Accessible Options make connecting a Snap!

\* Hinges with electrical modifications carry a five year warranty from date of shipment



## Clearance Dimensions for Aluminum Continuous Geared Hinges

The edge hung hinges are designed mainly for new doors and frames, and are applied so as to conceal both leaves. In retrofit applications, the door width must be reduced for proper clearance (See Figures 1, 2, 3 and 4 below for proper clearance).

The full-surface units are designed mainly for retrofit work and are applied to the exposed surface of the door and frame (See Figures 1 & 2 below for proper clearance).

The half-surface units are designed mainly for retrofit applications. The door leaf is applied to the exposed surface of the door and the frame leaf is applied to the concealed surface of the frame rabbet (See Figures 1 & 2 below for proper clearance).

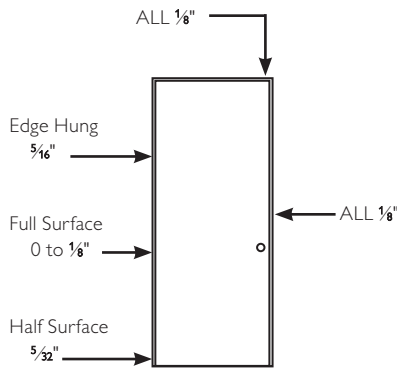


Figure 1 - Typical

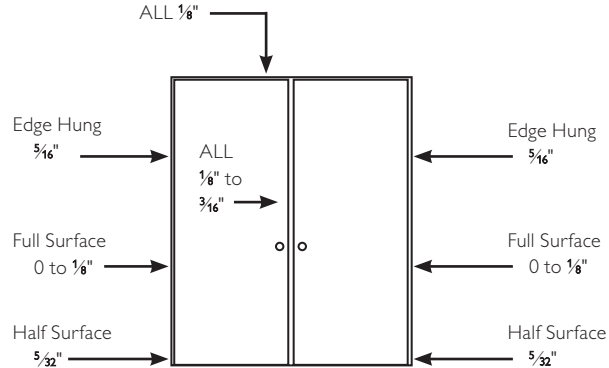


Figure 2 - Typical

Allow extra clearance as required per astragal manufacturer

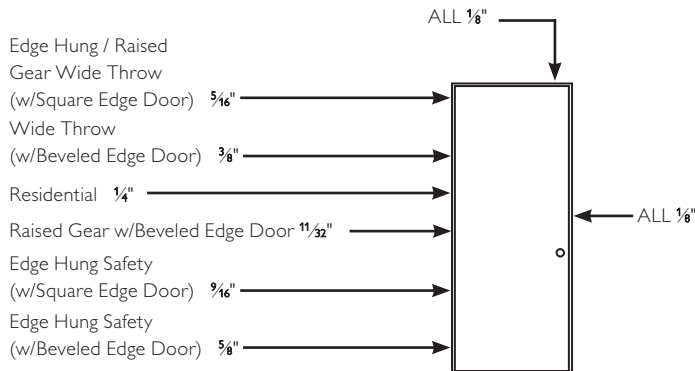


Figure 3 - Typical

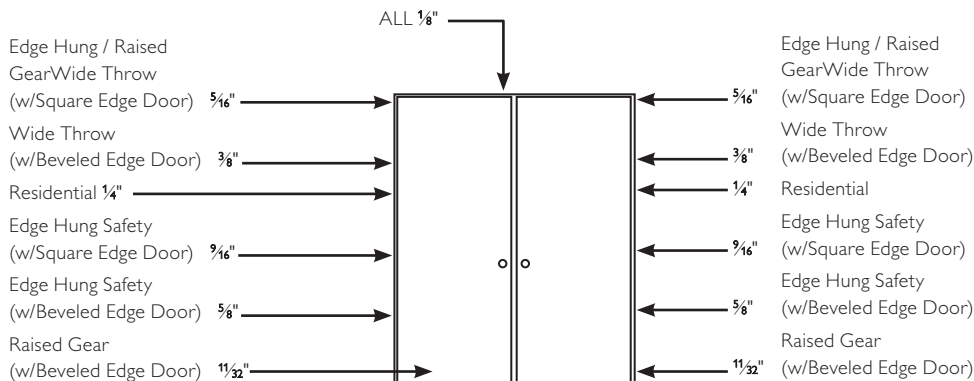


Figure 4 - Typical

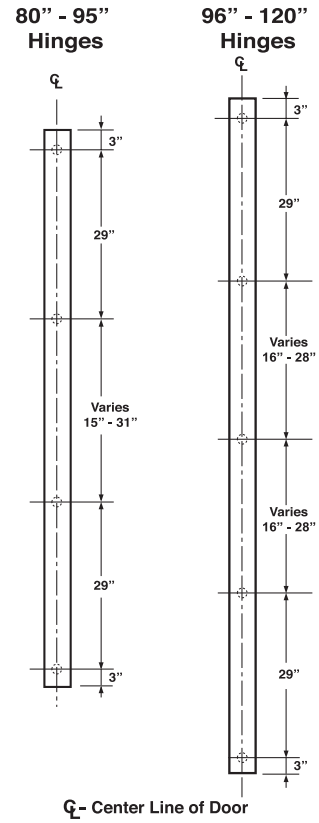
Allow extra clearance as required per astragal manufacturer

### FirePin™ Locations

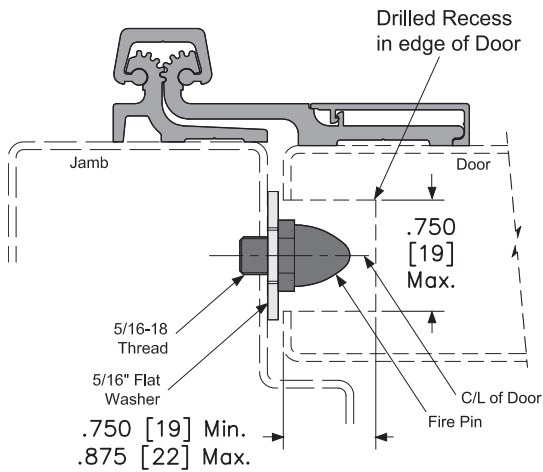
- The locations illustrated below indicate where holes should be drilled on the hinge edge of the door
- These locations are appropriate for all hinge models (edge hung, full-surface, and half surface)

### FirePin™ Locations for use with Fire Rated Assemblies

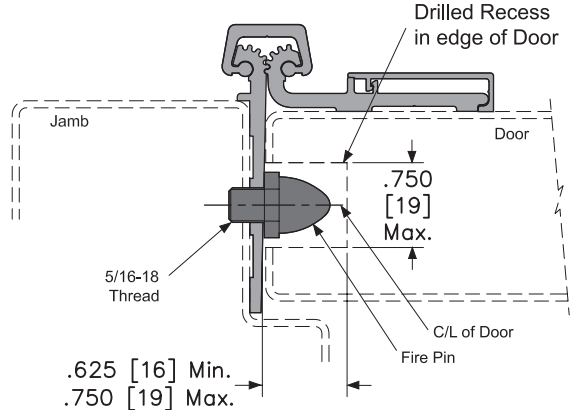
- Although McKinney Continuous Geared Hinges carry UL Fire Ratings unequalled in the industry, some applications may require the use of FirePins™
- FirePin™ applications fall within the UL guidelines for retrofitting assemblies in the field. Expensive shop modifications and door/frame reinforcements are not required
- FirePins™ also add extra security to a door assembly



### FULL-SURFACE HINGE



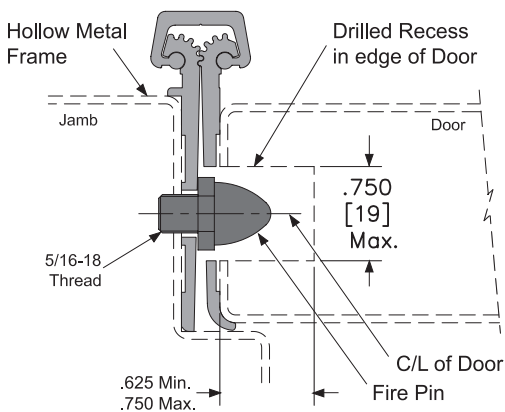
### HALF-SURFACE HINGE



#### Options:

Code	Description
CG-5	Aluminum Continuous Hinge Clearance Dimensions
CG-6	Continuous Geared Hinge Fire Pins
CG-7	Full Mortise Edge Hung Flush Door Continuous Geared Hinges
CG-8	
CG-9	Full Mortise Edge Hung Inset Door Continuous Geared Hinges
CG-10	Full Surface Continuous Geared Hinges
CG-11	Full Mortise Edge Hung Continuous Geared Hinges
CG-12	Full Mortise Raised Gear Continuous Geared Hinges
CG-13	Half Surface Continuous Geared Hinges
CG-14	Full Surface Center Pivot Continuous Geared Hinges
CG-15	Wide Throw Full Mortise Continuous Geared Hinges
CG-16	Full Mortise Continuous Geared Safety Hinges

### FULL-MORTISED HINGE



## MCK-12HD Series Full Mortise Short Leaf Flush

Recommended for new construction and renovations including new door and frame, new door with existing frame or existing door with new frame. Designed for use on retrofit applications and allows for adjustment in order to properly align the lock edge of the door to the frame.

- Designed for use with doors that are standard 1 $\frac{3}{4}$ " up to 2 $\frac{1}{4}$ " thick
- Extruded 6063-T6 aluminum alloy/temper with pinless assembly
- Special hinge reinforcements are not required. Hollow metal door and frame manufacturers' standard is acceptable. Removal of hinge reinforcements in the door and frame is not advised
- Standard Fasteners are #12-24 x  $\frac{7}{16}$ " FHUC, Type C, thread-forming screws. Wood screws available on request
- Available in custom lengths (specify handing and length in inches) and custom finishes (consult factory for availability)
- Hinges are guaranteed for the life of the opening
- The Molex connectors or electrically modified hinges are guaranteed for five years

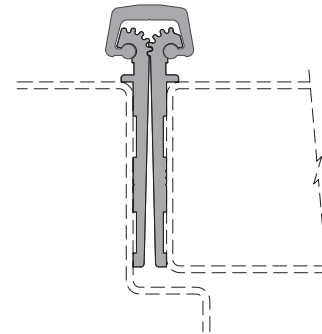


LISTED  
Door Hinges  
76Y2

### MCK-12HD



Standard Application



#### Finishes

Code	Description
CL	Clear anodized aluminum
BZ	Dark anodized aluminum
G	Gold anodized finish
BL	Black anodized finish

Door Size	Hinge Length	# of Bearings	Door Weight
6' 8"	79"	26	520 lbs
7' 0"	83"	27	540 lbs
7' 2"	85"	27	540 lbs
8' 0"	95"	31	620 lbs
10' 0"	120"	39	780 lbs

#### Options:

Code	Description
HT	Hospital Tip
FP	Fire Pins
MM	Magnetic Monitoring
PT	Power Transfer Prep (cut out only) for Adams Rite, Securitron, Yale, PEMKO, Dorma & Centurion*
EPT	Power Transfer Prep (cut out only) for Von Duprin, Securitron, & PEMKO*
LPT	Securitron, Adams Rite, PEMKO*

Refer to catalog pages EH-6 for additional information on our electrical options.

\* PT, EPT, LPT Location Form must accompany your order

## K-MCK-12HD Series

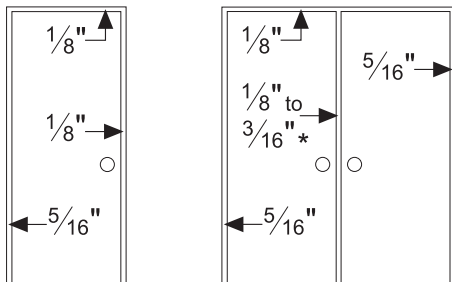
Recommended for building entrances subjected to heavy traffic and potential abuse. The K-MCK-12HD Series is designed for Kawneer Tuffline® Series, 2" deep aluminum doors with a door style option for continuous hinges.

- Certain door and frame conditions may require an extra 1/32"-1/16" clearance. Excessive clearance on fire rated assemblies may violate the requirements of NFPA 80
- Extruded 6063-T6 aluminum alloy/temper with pinless assembly
- Special hinge reinforcements are not required. Kawneer Tuffline® Series metal door and frame standard is acceptable. Removal of hinge reinforcements in the door and frame is not advised. If hinge reinforcements are left in place, then hinge fillers are needed before installation of hinge
- Standard fasteners are #12-24 x 7/16" FHUC, Type C, self-drilling screws
- Available in custom lengths (specify handing and length in inches) and custom finishes (consult factory for availability)
- Hinges are guaranteed for the life of the opening
- The Molex connectors or electrically modified hinges are guaranteed for five years

### Finishes

Code	Description
CL	Clear anodized aluminum
BZ	Dark anodized aluminum
G	Gold anodized finish
BL	Black anodized finish

Door Size	Hinge Length	# of Bearings	Door Weight
6' 8"	79"	26	520 lbs
7' 0"	83"	27	540 lbs
7' 2"	85"	27	540 lbs
8' 0"	95"	31	620 lbs
10' 0"	120"	39	780 lbs



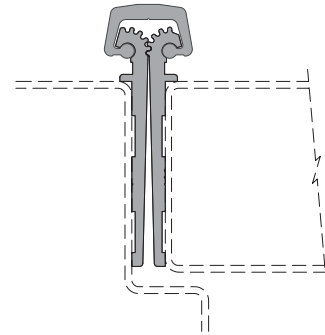
**LISTED**  
**Door Hinges**  
**76Y2**

## K-MCK-12HD



Kawneer Tuffline Series Application

Standard Application



### Options:

Code	Description
HT	Hospital Tip
FP	Fire Pins
MM	Magnetic Monitoring
PT	Power Transfer Prep (cut out only) for Adams Rite, Securitron, Yale, PEMKO, Dorma & Centurion*
EPT	Power Transfer Prep (cut out only) for Von Duprin, Securitron, PEMKO*
LPT	Securitron, Adams Rite, PEMKO*

Refer to catalog pages EH-6 for additional information on our electrical options.

\* PT, EPT, LPT Location Form must accompany your order

## MCK-14HD Series

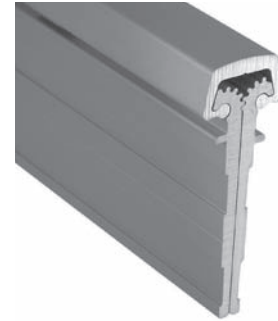
Recommended for new construction and renovations including new door and frame, new door with existing frame or existing door with new frame. Designed for use on retrofit applications and allows for adjustment in order to properly align the lock edge of the door to the frame.

- Designed for use with doors which are the standard 1 $\frac{3}{4}$ " up to 2 $\frac{1}{4}$ " thick
- Extruded 6063-T6 aluminum alloy/temper with pinless assembly
- Special hinge reinforcements are not required. Hollow metal door and frame manufacturers' standard is acceptable. Removal of hinge reinforcements in the door and frame is not advised. If hinge reinforcements are left in place, hinge fillers are needed before installation of hinge
- 79", 83", 85", 95" and 120" lengths are standard for nominal door heights
- May be field-cut to exact door heights and also may be ordered in custom lengths. Consult the factory for minimum requirements on custom sizes
- Standard Fasteners are #12-24 x  $\frac{7}{16}$ " FH U/C, self-drilling screws. Wood screws are available upon request
- Designed for use with hollow metal frames, where the inset conforms to S.D.I. specifications for aligning doors and frames
- Available in custom lengths (specify handing and length in inches) and custom finishes (consult factory for availability)
- The Molex connectors or electrically modified hinges are guaranteed for five years

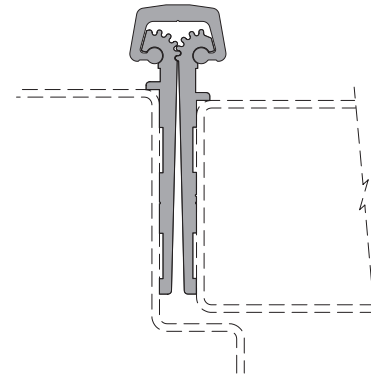


LISTED  
Door Hinges  
76Y2

### MCK-14HD



Short Leaf Inset Application



#### Finishes

Code	Description
CL	Clear anodized aluminum
BZ	Dark anodized aluminum
G	Gold anodized finish
BL	Black anodized finish

Door Size	Hinge Length	# of Bearings	Door Weight
6' 8"	79"	26	520 lbs
7' 0"	83"	27	540 lbs
7' 2"	85"	27	540 lbs
8' 0"	95"	31	620 lbs
0' 0"	20"	39	780 lbs

#### Options:

Code	Description
HT	Hospital Tip
FP	Fire Pins
MM	Magnetic Monitoring
PT	Power Transfer Prep (cut out only) for Adams Rite, Securitron, Yale, Dorma, Centurion, PEMKO*
EPT	Power Transfer Prep (cut out only) for Von Duprin, Securitron, PEMKO*
LPT	Securitron, Adams Rite, PEMKO

Refer to catalog pages EH-6 for additional information on our electrical options.

\* PT, EPT, LPT Location Form must accompany your order

## MCK-22HD SERIES

Designed mainly for retrofit applications. This hinge is applied to the exposed surface of the door and frame. It may also be used for new construction including new door and frame, new door with existing frame, existing door with new frame or existing door with existing frame.

- Extruded 6063-T6 aluminum alloy/temper with pinless assembly
- Special hinge reinforcements are not required. Hollow metal door and frame manufacturers' standard is acceptable. Removal of hinge reinforcements in the door and frame is not advised. If hinge reinforcements are left in place, hinge fillers are needed before installation of hinge.
- Frame Portion: all fasteners are #12-24 x 7/16" Type C, FH U/C self-drilling screws
- Twelve Screws are required for frame leaf (83" hinge). Wood screws are available on request
- Door Portion: requires four 1/4-20 x 1 5/8" Thru-Bolts per hinge and four 1/4-20 x 1" PCH Shoulder Bolts. Six Pan Head Self Drilling #12 x 3/4 required per hinge (on 83" hinge)
- All electrically modified hinges are furnished with our 4, 8 or 12 conductor Molex connectors at each leaf and pigtails for use with ElectroLynx® connectors as well as a 48" and a 120" wire harness wire harness with connectors on one end and hard wiring on opposite end
- Available in custom lengths (specify handing and length in inches) and custom finishes (consult factory for availability)
- Hinges are guaranteed for the life of the opening
- The Molex connectors or electrically modified hinges are guaranteed for five years

### Finishes

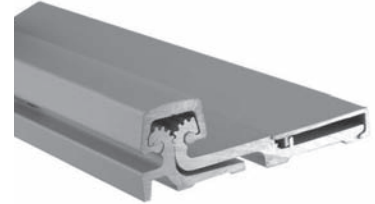
Code	Description
CL	Clear anodized aluminum
BZ	Dark anodized aluminum
G	Gold anodized finish
BL	Black anodized finish

Door Size	Hinge Length	# of Bearings	Door Weight
6' 8"	79"	26	520 lbs
7' 0"	83"	27	540 lbs
7' 2"	85"	27	540 lbs
8' 0"	95"	31	620 lbs
10' 0"	120"	39	780 lbs

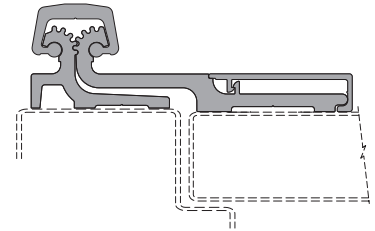


**LISTED**  
**Door Hinges**  
76Y2

### MCK-22HD



Full Surface Application



### Options:

Code	Description
HT	Hospital Tip
FP	Fire Pins
MM	Magnetic Monitoring
QC	Passes constant flow of current between source of power and actuated devices in the door. QC-4; QC-8; QC-12

Refer to catalog pages EH-6 for additional information on our electrical options.

**Note:** Power Transfer Cut Outs PT, EPT & LPT are not available on this hinge.

## MCK-25HD Series

Recommended for new construction and retrofit installations including new door and frame, new door with existing frame or existing door with new frame.

- Extruded 6063-T6 aluminum alloy/temper with pinless assembly
- Special hinge reinforcements are not required. Hollow metal door and frame manufacturers' standard is acceptable. Removal of hinge reinforcements in the door and frame is not advised. If hinge reinforcements are left in place, hinge fillers are needed before installation of hinge.
- Standard: all fasteners are #12-24 x 7/16" Type C, FH U/C self-drilling screws
- Wood screws are available on request
- 1/2x 12-24 Torx Security Head Machine Screws available on request
- All electrically modified hinges are furnished with our 4, 8, or 12 conductor Molex connectors at each leaf and two pigtails for use with ElectroLynx® connectors as well as a 48" and a 120" wire harness wire harness with connectors on one end and hard wiring on opposite end.
- Available in custom lengths (specify handing and length in inches) and custom finishes (consult factory for availability)

### Finishes

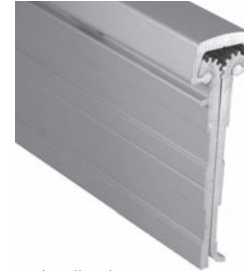
Code	Description
CL	Clear anodized aluminum
BZ	Dark anodized aluminum
G	Gold anodized finish
BL	Black anodized finish

Door Size	Hinge Length	# of Bearings	Door Weight
6' 8"	79"	26	520 lbs
7' 0"	83"	27	540 lbs
7' 2"	85"	27	540 lbs
8' 0"	95"	31	620 lbs
10' 0"	120"	39	780 lbs

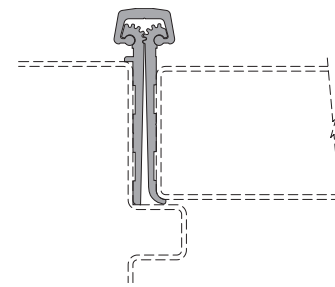


LISTED  
Door Hinges  
76Y2

### MCK-25HD



Edge Hung Application



### Options:

Code	Description
HT	Hospital Tip
FP	Fire Pins
MM	Magnetic Monitoring
PT	Power Transfer Prep (cut out only) for Adams Rite, PEMKO, Securitron, Yale, Dorma & Centurion *
EPT	Power Transfer Prep (cut out only) for Von Duprin, Securitron, PEMKO*
LPT	Securitron, Adams Rite, PEMKO
QC	Passes constant flow of current between source of power and actuated devices in the door QC-4; QC-8; QC-12
SER	Same as QC except hinge supplied in three sections with 8" electrically modified leaf SER-4; SER-8; SER-12
ACC	Same as QC except furnished with a pivoting 8" section ACC-4; ACC-8; ACC-12

Refer to catalog pages EH-6 for additional information on our electrical options.

\* PT, EPT & LPT Location Form must accompany your order

## MCK-28HD SERIES

Recommended for new construction and retrofit installations including new door and frame; new door and existing frame, existing door and new frame. Designed for use on metal or wood frames with applied casing as to conceal both leaves. The Raised Gear hinge is designed for use where the door doesn't run flush with the frame but rather sits inset. The Raised Gear hinge overcomes the offset by passing the cap out and back from the frame.

- Extruded 6063-T6 aluminum alloy/temper with pinless assembly
- Standard Fasteners are #12-24 x 7/8" Type C, FH U/C self-drilling screws
- Wood Screws available on request and should be specified when ordering
- 7/2 x 12-24 Torx Security Head Machine Screws available on request
- Available in custom lengths (specify handing and length in inches) and custom finishes (consult factory for availability)

### Finishes

Code	Description
CL	Clear anodized aluminum
BZ	Dark anodized aluminum
G	Gold anodized finish
BL	Black anodized finish

Door Size	Hinge Length	# of Bearings	Door Weight
6' 8"	79"	26	520 lbs
7' 0"	83"	27	540 lbs
7' 2"	85"	27	540 lbs
8' 0"	95"	31	620 lbs
10' 0"	120"	39	780 lbs

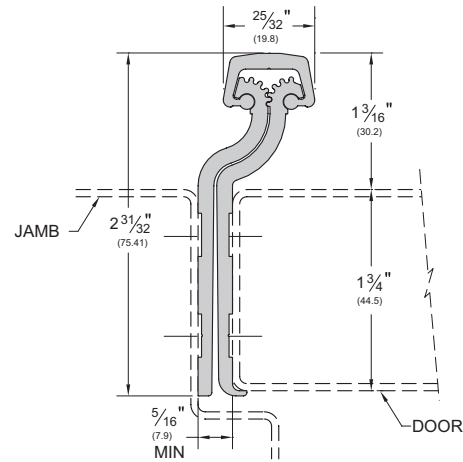


**LISTED**  
**Door Hinges**  
**76Y2**

### MCK-28HD



Application: Door Closed



5/16" @ Square Edge Application  
1 1/32" @ Beveled Edge Application

### Options:

Code	Description
HT	Hospital Tip
FP	Fire Pins
MM	Magnetic Monitoring

**Note:** Power Transfer Cut Outs PT, EPT & LPT are not available on this hinge.



## MCK-54HD SERIES

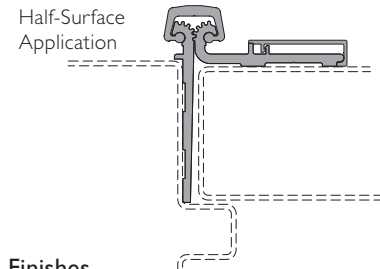
Designed mainly for retrofit applications. The door leaf is applied to the exposed surface of the door and the frame leaf is applied to the concealed surface of the frame rabbet. It may also be used for new construction including new door and frame, new door with existing frame, existing door with new frame or existing door with existing frame.

- Extruded 6063-T6 aluminum alloy/temper with pinless assembly
- For use with hollow metal frames, where the inset conforms to S.D.I. specifications for aligning doors and frames
- Designed for use on retrofit applications and allows for adjustment in order to properly align the lock edge of the door to the frame
- Special hinge reinforcements are not required. Hollow metal door and frame manufacturers' standard is acceptable. Removal of hinge reinforcements in the door and frame is not advised. If hinge reinforcements are use, hinge fillers are needed before installation of hinge
- Frame Portion: all fasteners are #12-24 x 7/16" Type C, FH U/C self-drilling screws. Twenty screws are required per leaf (on 83" hinge).
- Door Portion: requires four 1/4-20 x 1-5/8" Thru-Bolts per hinge and four 1/4-20 x 1" PCH Shoulder Bolts. Six Pan Head Self Drilling #12 x 3/4" required per hinge (on 83" hinge)
- Wood Screws available on request and should be specified when ordering.
- 1/2 x 12-24 Torx Security Head Machine Screws available on request
- All electrically modified hinges are furnished with our 4, 8, or 12 conductor Molex connectors at each leaf and two pigtails for use with ElectroLynx® connectors as well as a 48" and a 120" wire harness with connectors on one end and hard wiring on the opposite end
- Available in custom lengths (specify handing and length in inches) and custom finishes (consult factory for availability)



**UL** US  
**LISTED**  
**Door Hinges**  
**76Y2**

### MCK-54HD



#### Finishes

Code	Description
CL	Clear anodized aluminum
BZ	Dark anodized aluminum
G	Gold anodized finish
BL	Black anodized finish

#### Options:

Code	Description
HT	Hospital Tip
FP	Fire Pins
MM	Magnetic Monitoring
PT	Power Transfer Prep (cut out only) for Adams Rite, Securitron, PEMKO, Yale, Dorma & Centurion *
EPT	Power Transfer Prep (cut out only) for Von Duprin, Securitron, PEMKO*
LPT	Securitron, Adams Rite, PEMKO
QC	Passes constant flow of current between source of power and actuated devices in the door QC-4; QC-8; QC-12

Door Size	Hinge Length	# of Bearings	Door Weight
6' 8"	79"	26	520 lbs
7' 0"	83"	27	540 lbs
7' 2"	85"	27	540 lbs
8' 0"	95"	31	620 lbs
10' 0"	20"	39	780 lbs

Refer to catalog pages EH-6 for additional information on our electrical options.

\* PT, EPT & LPT Location Form must accompany your order

## MCK-58HD SERIES

Designed for retrofit work and can be used for new construction and renovation projects applications where the pivot point must be centered between the door and frame, where the frame face is less than 1½" and when applied to the exposed surface of the door and frame.

- Extruded 6063-T6 aluminum alloy/temper with pinless assembly
- Special hinge reinforcements are not required. Hollow metal door and frame manufacturers' standard is acceptable. Removal of hinge reinforcements in the door and frame is not advised
- Frame portion all fasteners are #12-24 x 7/16" Type C, FH U/C thread-forming screws. Twelve screws are required for frame leaf (83") hinge. Screws are required per leaf and should be specified when ordering
- ½x 12-24 Torx Security Head Machine Screws available on request
- Door Portion requires four ¼-20 x 1½" Thru-Bolts per hinge and four ¼-20 x 1" PCH Shoulder Bolts. Six Pan Head Self Drilling #12 x ¾ required per hinge
- All electrically modified hinges are furnished with our 4, 8, or 12 conductor flat cable connectors at each leaf and two pigtails for use with ElectroLynx® connectors as well as a 48" and a 120" wire harness with connectors on one end and hard wiring on opposite end
- Available in custom lengths (specify handing and length in inches) and custom finishes (consult factory for availability)

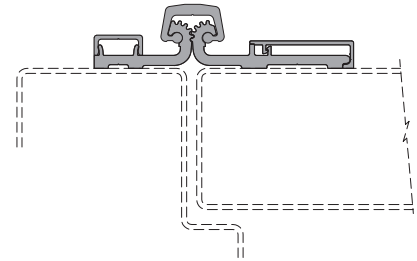


**LISTED**  
**Door Hinges**  
76Y2

### MCK-58HD



Full-Surface Center Pivot Application



#### Finishes

Code	Description
CL	Clear anodized aluminum
BZ	Dark anodized aluminum
G	Gold anodized finish
BL	Black anodized finish

Door Size	Hinge Length	# of Bearings	Door Weight
6' 8"	79"	26	520 lbs
7' 0"	83"	27	540 lbs
7' 2"	85"	27	540 lbs
8' 0"	95"	31	620 lbs
10' 0"	20"	39	780 lbs

#### Options:

Code	Description
HT	Hospital Tip
FP	Fire Pins
MM	Magnetic Monitoring
QC	Passes constant flow of current between source of power and actuated devices in the door. QC-4; QC-8; QC-12

**Note:** Power Transfer Cut Outs PT, EPT & LPT are not available on this hinge.

## MCK-WTFMHD SERIES

Recommended for new construction or renovations that require extra clearance due to special frame or door design and are applied so as to conceal both leaves. These include new door and frame, new door with existing frame or existing door with new frame, or new door applications that require extra clearance (provides 2¾" clearance) due to special frame or door design.

- Extruded 6063-T6 aluminum alloy/temper with pinless assembly
- Special hinge reinforcements are not required. Hollow metal door and frame manufacturers standard is acceptable. Removal of hinge reinforcements in the door and frame is not advised
- Undersizing of door must also include clearances for lock side of door; added to clearance, to obtain the proper undersizing of door
- Requires 5/16" clearance for square edge doors and 3/8" clearance on beveled edge doors. Clearances noted here are for hinge-side edges only. Undersizing of door must also include clearance for lock side of door; added to hinge clearance to obtain proper undersizing of door
- Standard Fasteners are #12-24 x 7/16" Type C, FH U/C self-drilling screws
- Wood Screws available on request and should be specified when ordering
- ½x 12-24 Torx Security Head Machine Screws available on request
- Available in custom lengths (specify handing and length in inches) and custom finishes (consult factory for availability)

### Finishes

Code	Description
CL	Clear anodized aluminum
BZ	Dark anodized aluminum
G	Gold anodized finish
BL	Black anodized finish

Nominal Door Size	Hinge Length	Hinge Length
7' 0"	83"	208 mm
8' 0"	95"	243 mm

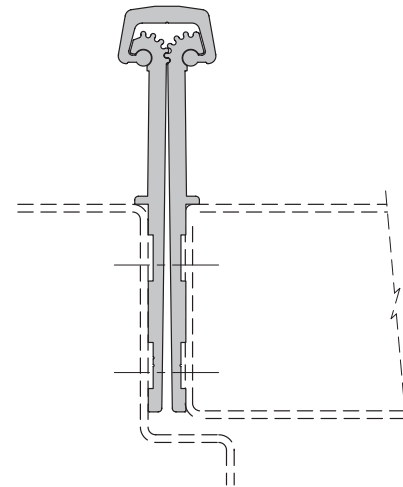


LISTED  
Door Hinges  
76Y2

### MCK-WTFMHD



Wide Throw Edge Hung Application



### Options:

Code	Description
HT	Hospital Tips
FP	Fire Pins
MM	Magnetic Monitoring

**Note:** Power Transfer Cut Outs PT, EPT & LPT are not available on this hinge.

## MCK-35HD & MCK-38HD SERIES

Designed mainly for new door applications in child care and nursing facilities. These hinges require extra clearance with a special frame design and are applied to conceal both leaves.

- Extruded 6063-T6 aluminum alloy/temper with pinless assembly
- The unique design prevents small fingers from getting pinched in the door
- Safety hinges are designed for frames with cased openings (where there are no stops on the hinge jamb)
- Standard Fasteners are #12-24 x 7/16" Type C, FH U/C self-drilling screws
- Wood Screws available on request and should be specified when ordering
- 1/2 x 12-24 Torx Pin Head Machine Screws available on request
- Requires 1 3/16" clearance for square edge doors and 27/32" clearance on beveled edge doors
- Available in custom lengths (specify handing and length in inches) and custom finishes (consult factory for availability)

### Finishes

Code	Description
CL	Clear anodized aluminum
BZ	Dark anodized aluminum
G	Gold anodized finish
BL	Black anodized finish

Door Size	Hinge Length	# of Bearings	Door Weight
6' 8"	79"	26	520 lbs
7' 0"	83"	27	540 lbs
7' 2"	85"	27	540 lbs
8' 0"	95"	31	620 lbs
10' 0"	20"	39	780 lbs



**LISTED**  
**Door Hinges**  
**76Y2**

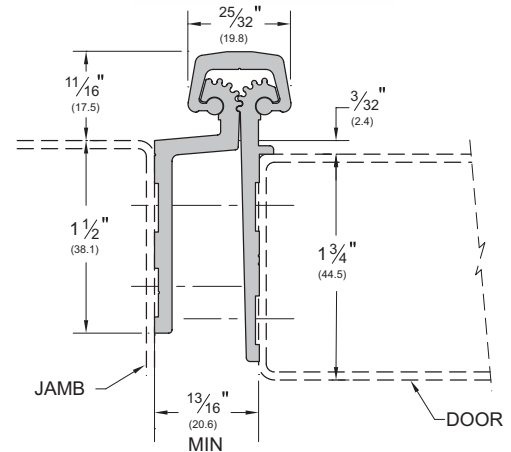
### MCK-35HD

Edge Hung Safety Application



### MCK-38HD

Edge Hung Short Leaf Inset Safety Application



### Options:

Code	Description
HT	Hospital Tip
FP	Fire Pins

**Note:** Power Transfer Cut Outs PT, EPT & LPT are not available on this hinge.

## Continuous Pin and Barrel Hinges

Our stainless and steel continuous hinges distribute shock forces evenly so wear and tear to the frame and door is reduced significantly. Security is enhanced by preventing insertion of objects between the door and frame thus reducing vandalism. The continuous design allows for easy alignment of electrical transfers and monitoring switches. These hinges also aid in stopping air infiltration by creating a complete seal from top to bottom of the door at the hinge stile.

The Pin and Barrel Hinge is held together with a 3/8" stainless steel rod (pin). The hinge works on a flanged nylon bearing assembly which eliminates premature wear and guarantees proper alignment.

Pin and Barrel Hinges (300 and 3500 Series stainless steel and 3700 Series carbon steel) are UL Listed and fire rated.

Door Size	Hinge Length		Weight Capacity	Door Size	Hinge Length		Weight Capacity
	Inches	Millimeters	1 3/4" Doors		Inches	Millimeters	2" Doors
6' 8"	79.25	2013	300 & 3700 Series 600 lbs	6' 8"	79.25	2013	3500 Series 900 lbs
7' 0"	83.125	2111.4	600 lbs	7' 0"	83.125	2111.4	900 lbs
7' 2"	85.00	2159.0	600 lbs	7' 2"	85.00	2159.0	900 lbs
8' 0"	95.00	2413.0	600 lbs	8' 0"	95.00	2413.0	900 lbs
10' 0"	118.75	3016.2	600 lbs	10' 0"	118.75	3016.2	900 lbs

## Cycle Requirements

Both the 300 Series and 3500 Series stainless steel hinges meet or exceed ANSI / BHMA Standard A156.1 - Grade 1. The 3700 Series steel hinge meets or exceeds ANSI / BHMA Standard A156.1 – Grade 2.



Classified and Listed to meet the requirements of Standards, UL10B, UL10C, UBC7-2 **POSITIVE PRESSURE**

### Maximum Door Opening:

- Single Doors: 4'0" x 10'0"
- Pair of Doors: 8'0" x 10'0"

### Fire Rating:

Series 3500 stainless steel, Series 300 stainless steel, and Series 3700 steel hinges are available with two labeling options, Underwriters Laboratories and Warnock Hersey Intl.

- 20 minute labeled wood doors
- 1 1/2" hour labeled hollow metal and composite -core wood fire doors
- 3 hour labeled hollow metal doors only mounted singly

## Mounting Hardware

To prevent warping of the door along the hinge jamb, screws are located along the full length of the hinge. The templated hole pattern makes these hinges ideal for use on center-hung lead lined doors.

### Medical Bearings are Standard

McKINNEY now provides Medical Bearings as our standard bearing for all Pin and Barrel hinges. You benefit from this new standard offering with permanently lubricated hinges with no metal to metal contact, improving the life and overall function of the hinge.

Please refer to the individual catalog pages for fastener information.

Hinges may be field cut per installation instructions.

### Hinge Series

- 300** 14 gauge, 304 stainless steel barrel hinges with stainless pin
- 3500** 12 gauge, 304 stainless steel pin and barrel security hinges with stainless pin
- 3700** 14 gauge, 1012 carbon steel barrel hinges with stainless steel pin

### Hinge Models

The last two digits of the model number indicate the application:

- 00** – edge mount (formerly full mortise)
- 01** – full surface, 1/8" offset
- 02** – full surface, flush
- 03** – half surface, 1/8" offset
- 04** – half mortise, 1/8" offset
- 05** – edge mount hinge/guard
- 06** – half mortise hinge/guard
- 07** – double hinge/guard
- 08** – edge guard
- 09** – full surface, swing clear
- 10** – swing clear hinge/guard
- 11** – edge mount, self aligning

Other numbers are used for specific applications

### Option Suffixes

- AMS** – Adjustable Monitoring Switch
- DDP** – Dutch Door Prep
- CTP** – Current Power Transfer Cut Out for Adams Rite, Securitron, Yale, PEMKO, Centurion & Doma
- EPT** – Power Transfer Cut Out for Von Duprin, Securitron, & PEMKO
- HT** – Hospital Tip
- LL** – Lead -Lined
- PC** – Powder Coated
- RB** – Raised Barrel
- WT** – Wide Throw

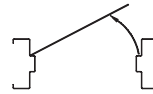
## Finishes

The 300 and 3500 Series stainless steel hinges are supplied as a standard in brushed satin finish US32D (630) and are available in bright stainless US32 (629). The 3700 series steel hinges are supplied in Gray Powder Coat finish. For other U.S. Standard and BHMA finishes, consult factory.

## Handing

Some options including but not limited to CTP, EPT, HT, will require handing. Refer to the individual catalog pages.

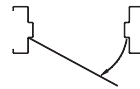
Specify handing on all custom hinge lengths.



LEFT HAND



RIGHT HAND



LEFT HAND  
REVERSE



RIGHT HAND  
REVERSE

## Custom Design

McKinney's engineering department will be willing to assist you in developing custom applications to solve your unique door hinge problems. Together with the customer, we will go through an official sign-off process to ensure custom hinges fit your exact needs.

This series number indicates the type of hinge and base material used:

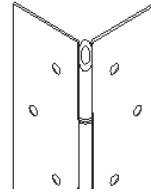
## Hinge Numbering System

- EG** – Edge Guard
- FM** – Edge Mount
- FS** – Full Surface
- HG** – Hinge/Guard
- HM** – Half Mortise
- HS** – Half Surface
- SC** – Swing Clear

## Hinge Modifications /Options

### Hospital Tip - HT

- Available on all models except spring-loaded toilet partition hinges: FS321 and FM327
- Helps provide a safe, clean environment



### Dutch Door Prep - DDP

- Available on all hinge models
- Continuous frame leaf with two-piece door leaf
- Indicate handing, clearances, door and frame heights, and materials when ordering

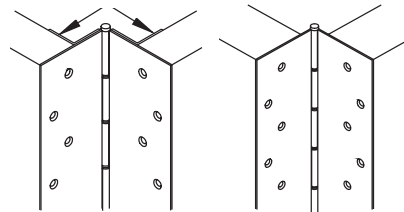


### Wide Throw - WT

- Only available on 300 Series hinges
- Specify distance from pin centerline to heel edge of hinge when ordering

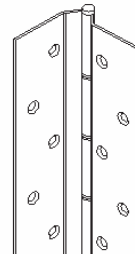
**Reinforcement may be required on extreme wide throw application.**

- These conditions will be determined through a drawing approval process
- Cost will be determined at time of approval



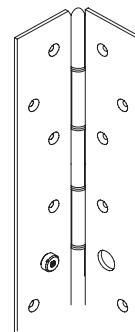
### Raised Barrel (Swaged) - RB

- Available on all edge mount and half surface models except on Aluminum hinges
- *Required on models FS3701, FS3702, FS3001, FS302 in order to open 180°*
- For cased open or center pivot doors



### Security Studs

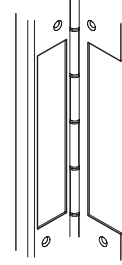
- Stainless steel security studs mounted to the frame leaf
- Door leaf is drilled to accommodate studs
- Three studs installed on hinges up to 7' 2"
- Four studs installed on hinges over 7' 2"
- *Door and frame must be specially prepared to accommodate security studs*



## Hinge Modifications /Options

### Current Transfer Prep - CTP

- Hinge leaf cutout to accommodate PT for Adams Rite, Securitron, Yale, PEMKO, Centurion & Dorma
- EPT for Von Duprin, Securitron & PEMKO
- Please provide location and handing for all locations



### ElectroLynx® Concealed Current - EL Transfer (Standard Prep Locations)

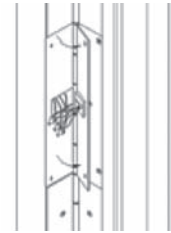
- 111

Hardwiring Made Easy™



### ETAP Electrical Transfer Access Prep

- Cutout prep for the AMS, EL, and CTP
- Modifications that allows easy one-person access to wiring between the hinge and door/frame



## Fastener Options:

### Security Fastener

- Torx Head security fasteners are available in lieu of standard fastners

### Adjust-A-Screw™

- For use on HG models
- Allows for adjustment along the door length, up to 3/8"
- Future adjustments can be made by maintenance staff by repositioning the Adjust-A-Screw™ fasteners

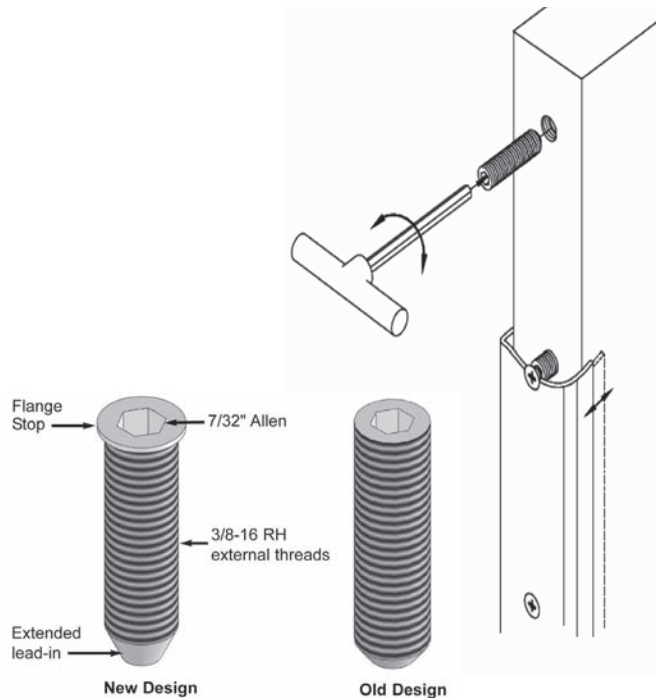
### Adjust-A-Screw™ Assembly

Adjust-A-Screw™ fastening system for continuous hinges and edge guards allows installers to easily solve door clearance (fit) problems in the field. By turning the Adjust-A-Screw™ "stud" in or out with an Allen wrench, the entire door edge can be adjusted up to 3/8" to give a perfect fit every time.

To prevent the stud from falling into a steel door during installation, Adjust-A-Screw™ was initially developed with left-hand threads. While this solved one problem, it was often difficult for installers to locate the required tap for left-hand threads. Recent improvements allow for a single right-hand threaded stud to be used in both wood and steel applications.

The newly designed stud was created with a thin flange around the head to provide a positive stop when fully threaded into the door. The flange acts as a hard stop and prevents the stud from dropping into the door cavity. In addition, the new stud also has a longer lead-in for ease of installation into wood or metal door applications.

The new Adjust-A-Screw™ fasteners were phased in on June 1, 2011.





## MCK-FM300 /MCK-FM3700 Edge Mount Series

This edge-mounted pin & barrel type hinge is used high traffic, high abuse doors. The hinge works well in locations that would normally call out for anchor hinges, pivot reinforcement hinges or thrust pivot unit and hinge sets. This hinge saves on special door and frame preparation charges and makes the installer's job easier. It can be used on both fire labeled and non-labeled openings.

### MCK-FM300

- 3/16" diameter barrel type hinges, 304 stainless steel pin (rod) Flanged nylon bearings. Exterior barrel diameter .438" (7/16")
- Heavy-duty 14 gauge, 304 stainless steel, finished in US32D (630)
- Fasteners concealed when door is closed. Fastener screw pack includes #10x7/8" PH U/C Self Drilling, 410 S.S., #10 x 1 1/4" PH U/C S.S.
- Specify handing for 6'8", 7'2" and for most optional features listed

### MCK-FM3700

- 3/16" diameter barrel type hinges, 304 stainless steel pin (rod). Flanged nylon bearing. Exterior barrel diameter .438" (7/16")
- Stainless steel end pins
- Heavy duty 14 gauge 1012 carbon steel finished in a gray powder coat
- Fasteners concealed when closed. Fastener screw pack includes #10 x 7/8" PH U/C self drilling, zinc #10 1 1/4" PH U/C zinc
- Supports weights up to 600lbs. 4'0" maximum door width
- Symmetrically templated hole pattern. For use on center hung lead lined doors
- Specify handing for 6'8", 7'2" and for most optional features listed
- When installed on a 16 gauge (or heavier) metal frame, hinge reinforcements are not required, nor are they recommended. However, if the frames are equipped with mortise hinge reinforcements, removal is not advised
- Optional features include custom lengths (specify handing and length in inches), custom hole patterns, tamper-proof security screws, special sheared leaf
- ANSI/BHMA Standard A156.26 Grade 1

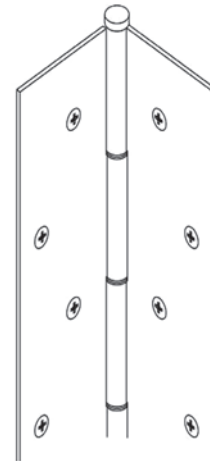
### Fire Rating

<b>3 hours</b>	hollow metal doors
<b>90 minutes</b>	hollow metal and composite core wood fire doors
<b>20 minutes</b>	wood doors

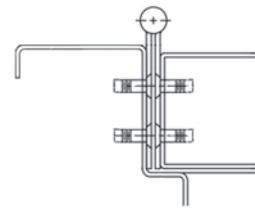


Classified in accordance with UL10C for positive pressure

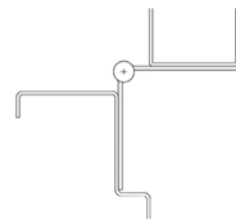
**MCK-FM300**  
**MCK-FM3700**



Door Closed



Door Open 90°



### Options:

Code	Description
DDP	Dutch Door Hinges (DD form required)
HT	Hospital Tips
RB	Raised Barrel
WT	Wide Throw**
AMS	Adjustable Monitoring Switch**
EL	ElectroLynx® (4, 8 or 12 wire)
CTP	Current Transfer Prep (cut out only) for Adams Rite, Dorma, Centurion, and PEMKO
EPT	Power Transfer Prep (cut out only) for PEMKO, Securitron, Von Duprin*

\* Power Transfer Location Template must accompany your order

\*\* MCK-FM300 Series only

## MCK-FS301/MCK-FS3701 Full Surface Series

This surface mounted pin & barrel type hinge can be used to repair both fire labeled and non-labeled doors that have very tight clearances. The hinge has a built-in 1/8" offset to assist in weather seal and sound barrier areas.

### MCK-FS301

- 3/16" diameter stainless steel barrel type hinge pin (rod). Flanged nylon bearings. Stainless steel end pins
- Fasteners concealed by covers universal screw pack includes 1/4-20 x 3/4" PPH Tek SD, Zinc #8 x 3/4" PHF Tek, Zinc Cover Clip
- Heavy-duty 14 gauge, 304 stainless steel, finished in US 32D (630). Covers are extruded aluminum with a brushed aluminum finish
- ANSI / BHMA Standard A156.26 Grade 1

### MCK-FS3701

- 3/16" diameter stainless steel barrel type hinge pin (rod). Flanged nylon bearings. Stainless steel end pins
- Heavy-duty 14 gauge, 1012 carbon steel finished in a Gray Powder Coat. Covers are extruded aluminum
- No exposed mounting fasteners. Fastener screw pack includes #10 x 7/8" PH U/C Self Drilling, Zinc #10 x 1 1/4" PH U/C Zinc. For use on center-hung lead-lined, doors
- MCK-FS3701- ANSI/BHMA Standard A156.26 Grade 2
- Optional features include custom lengths (specify handing and length in inches) and 13/4" aluminum sleeve bolts
- Fastener cover available in brushed aluminum
- 13/4" doors supports weights up to 600lbs. 4'0" maximum door width
- Symmetrically templated hole pattern.
- When installed on a 16 gauge (or heavier) metal frame, hinge reinforcements are not required or are they recommended. However, if the frames are equipped with mortise hinge reinforcements, removal is not advised

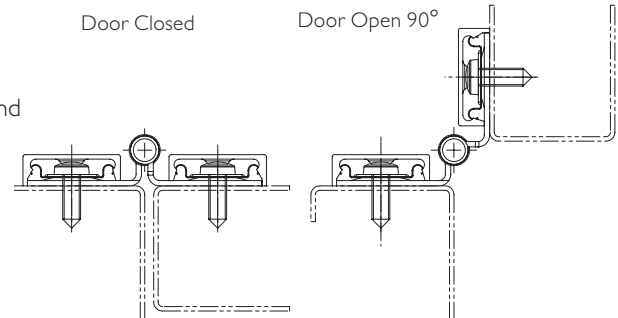
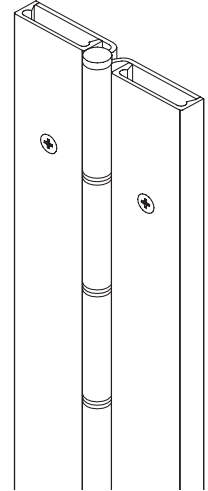
### Fire Rating

<b>3 hours</b>	hollow metal doors
<b>90 minutes</b>	hollow metal and composite core wood fire doors
<b>20 minutes</b>	wood doors



Classified in accordance with UL10C for positive pressure

### MCK-FS301 MCK-FS3701



### Options:

Code	Description
DDP	Dutch Door Hinges (DD form required)
HT	Hospital Tip
RB	Raised Barrel
LL	Lead-lined cover w/ 1/16" lead-lining

Consult the factory on other available options

## MCK-FS302/FS3702 Series

For flush doors. This surface mounted pin & barrel hinge can be used to repair and replace existing hinges on both fire-labeled and non-labeled doors that have very tight clearances, giving it a weather tight seal.

### MCK-FS302

- 3/16" diameter stainless steel barrel type hinge pin (rod). Flanged nylon bearings
- Heavy-duty 14 gauge, 304 stainless steel finished in US 32D (630). Covers are extruded aluminum, finished in brushed aluminum
- Fasteners concealed by cover when closed. Universal screw pack includes 1/4-20 x 3/4 PPH Tek SD, Zinc #8 x 3/4" PPH Tek, Zinc Cover Clip
- BHMA Standard A156.26 Grade 1

### MCK-FS3702

- 3/16" diameter stainless steel barrel type hinge pin (rod). Flanged nylon bearings
- Heavy-duty 14 gauge, 1012 carbon steel finished in a Gray Powder Coat
- No exposed mounting fasteners when closed. Fastener screw pack includes 1/4-20 x 3/4" PPH Tek, SD, Zinc #8 x 3/4" PPH Tek, Zinc, Cover Clip
- For use on center-hung lead-lined doors
- 13/4" doors supports weights up to 600lbs. 4'0" maximum door width
- Symmetrically templated hole pattern. Handing required for 6'8", 7'2" and for most optional features. Stainless steel end pins
- Exterior barrel diameter .438 (7/16")
- When installed on a 16 gauge (or heavier) metal frame, hinge reinforcements are not required, nor are they recommended. However, if the frames are equipped with mortise hinge reinforcements, removal is not advised
- Optional features include custom lengths (specify handing and length in inches), 13/4" aluminum sleeve bolts

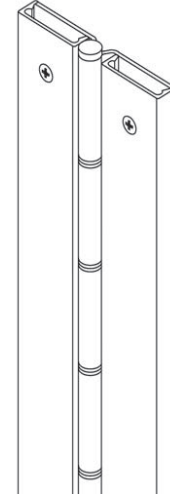
### Fire Rating

<b>3 hours</b>	hollow metal doors
<b>90 minutes</b>	hollow metal and composite core wood fire doors
<b>20 minutes</b>	wood doors



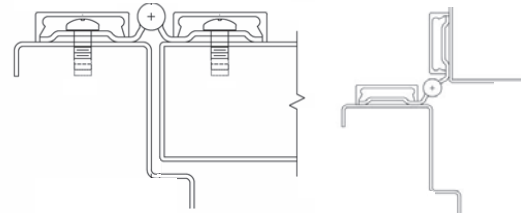
Classified in accordance with UL10C for positive pressure

**MCK-FS302**  
**MCK-FS3702**



Door Closed

Door Open 90°



### Options:

Code	Description
DDP	Dutch Door Hinges (DD form required)
HT	Hospital Tip
LL	Lead-lined cover w/ 1/16" lead-lining
RB	Raised Barrel

Consult the factory on other available options

## MCK-HS303/HS3703 Half Surface Series

This half-surface pin & barrel continuous hinge can be used to repair and replace existing hinges on both fire-labeled and non-labeled openings. The hinge fits into the gap left after standard butt hinges are removed. It can assist in reversing the handing of a door, or to reverse the swing of a door hung in an evenly-rabbeted frame.



Classified in accordance with UL10C for positive pressure

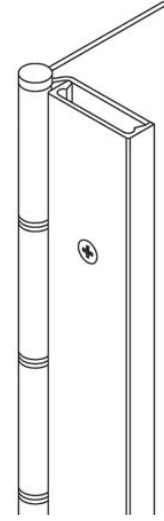
### MCK-HS303

- 3/16" diameter stainless steel barrel type hinge pin  
Flanged nylon bearings. Stainless steel end pins
- Heavy-duty 14 gauge, 304 stainless steel, finished in US32D (630). Covers are extruded aluminum with brushed aluminum finish
- Fasteners concealed when door is closed. Fastener screw pack includes #10 x 7/8" PH U/C Self Drilling, 410 S.S. #10 x 1/4" PH U/C S.S. Cover Clip #8 x 3/4" PHF Tek, Zinc
- BHMA Standard A156.26 Grade 1

### MCK-HS3703

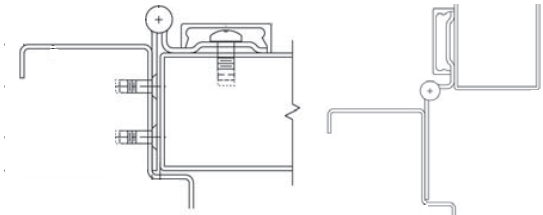
- 3/16" diameter stainless steel barrel type hinge pin (rod).  
Flanged nylon bearings. Stainless steel end pins
- Heavy-duty 14 gauge, 1012 carbon steel finished in a gray powder coat
- No exposed mounting fasteners when closed. Fastener screw pack includes #10 x 7/8" PH U/C Self Drilling, Zinc #10 x 1/4" PH U/C Zinc Cover Clip #8 x 3/4"
- PHF Tek, Zinc
- MCK-HS303 Optional features include US32 bright polished stainless (629), custom lengths (specify handing and length in inches), custom hole patterns, tamper-proof security screws, 1 3/4" aluminum sleeve bolts, special sheared leaf

MCK-HS303  
MCK-HS3703



Door Closed

Door Open 90°



- 1 3/4" doors supports weights up to 600lbs. 4'0" maximum door width
- Symmetrically templated hole pattern. Handing required for 6'8" and 7'2" and for most optional features
- Exterior barrel diameter .438 (7/16")
- When installed on a 16 gauge (or heavier) metal frame, hinge reinforcements are not required, nor are they recommended. However, if the frames are equipped with mortise hinge reinforcements, removal is not advised
- Please call the factory at 800-346-7707 for instructions on unevenly-rabbeted frames

### Fire Rating

<b>3 hours</b>	hollow metal doors mounted singly
<b>90 minutes</b>	hollow metal and composite core wood fire doors
<b>20 minutes</b>	wood doors

### Options:

Code	Description
DDP	Dutch Door Hinges (DD form required)
HT	Hospital Tip
RB	Raised Barrel
LL	Lead-lined cover w/ 1/16" lead-lining
CTP	Current Transfer Prep (cut out for frame leaf only) for Adams Rite, Yale, Securitron, PEMKO, Dorma & Centurion*
EPT	Power Transfer Prep (cut out for frame leaf only) for Von Duprin, Securitron, PEMKO*

Consult the factory on other available options

\* Power Transfer Location Template must accompany your order

## MCK-HM304 Series

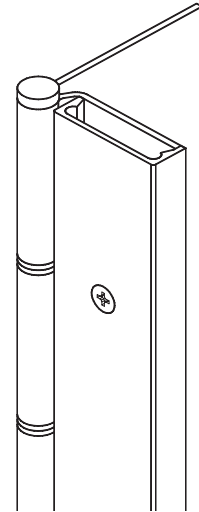
This pin & barrel type hinge is used to repair wooden doors that have split, or are chipped and dented from traffic abuse. The surface mounted frame leaf allows for easy retrofit installation. This hinge can be used to reverse the handing or swing of the door without any modifications to the existing door.

- 3/8" diameter stainless steel barrel type hinge pin. Flanged nylon bearings. Stainless steel end pins
- Heavy-duty 14 gauge 304 stainless steel finished in US32D (630). Cover-extruded aluminum with brushed aluminum finish
- Fasteners concealed when door is closed. Fastener screw pack includes #10 x 7/8" PH U/C Self Drilling, 410 S.S. #10 x 1 1/4" PH U/C S.S. 1/4-20 x 13/4" Sleeve Bolt SS Cover Clip #8 x 3/4" PHF Tek, Zinc
- 13/4" Doors supports weights up to 600lbs. 4'0" maximum door width
- Symmetrically templated hole pattern. Handing required on 6'8", 7'2" and for most optional features
- Exterior barrel diameter .438 (7/16")
- Optional features include custom lengths (specify handing and length in inches), custom hole patterns, tamper-proof security screws, special sheared leaf
- When installed on a 16 gauge (or heavier) metal frame, hinge reinforcements are not required, nor are they recommended. However, if the frames are equipped with mortise hinge reinforcements, removal is not advised
- ANSI/BHMA Standard A156.26 Grade 1

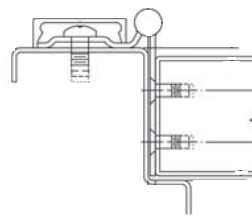


Classified in accordance with UL10C for positive pressure

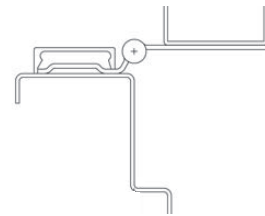
### MCK-HM304



Door Closed



Door Open 90°



#### Fire Rating

<b>3 hours</b>	hollow metal doors
<b>90 minutes</b>	hollow metal and composite core wood fire doors
<b>20 minutes</b>	wood doors

#### Options:

Code	Description
DD	Dutch Door Hinges (DD form required)
HT	Hospital Tips
RB	Raised Barrel
CTP	Current Transfer Prep (cut out only) for Adams Rite, Yale, Securitron, PEMKO, Dorma & Centurion*
EPT	Power Transfer Prep (cut out only) for Von Duprin, Securitron, PEMKO*

Consult the factory on other available options

\* Power Transfer Location Template must accompany your order

## MCK-HG305 Series

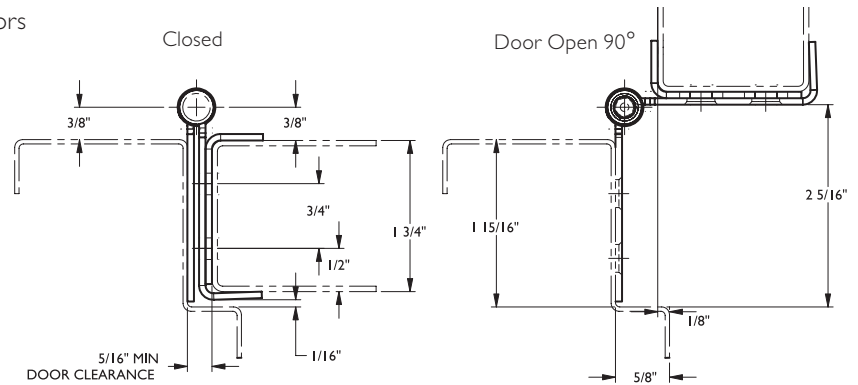
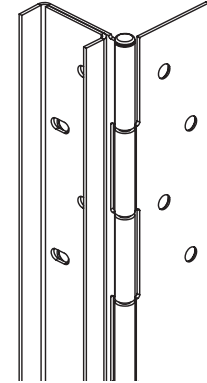
The integral hinge guard protects the door from dings and gouges from carts and gurneys while providing clean lines and aesthetic appearance. Our HG products also have fire ratings up to and including 3 hours.



Classified in accordance with UBC code standard 7-2 for positive pressure

- 3/16" diameter stainless steel barrel type hinge pin (rod). Flanged nylon bearings. Stainless steel end pins
- Heavy-duty 14 gauge, 304 stainless steel, finished in US32D (630)
- Fasteners concealed when door is closed. Fastener screw pack includes #10 x 7/8" PH U/C Self Drilling, 410 S.S. #10 x 1 1/4" PH U/C S.S. 10-32
- 1 3/4" Doors supports weights up to 600lbs. 4'0" maximum door width
- Symmetrically templated hole pattern. Handing required for 6'8" and 7'2" and for most optional features listed
- For use on center hung lead lined doors
- Exterior barrel diameter .438 (7/16)
- Optional features include US32 Bright Polished Stainless (629), custom lengths (specify handing and length in inches), custom hole patterns, tamper-proof security screws, special sheared leaf
- ANSI/BHMA Standard A156.26 Grade 1

MCK-HG305



### Fire Rating

<b>3 hours</b>	hollow metal doors mounted singly
<b>90 minutes</b>	hollow metal and composite core wood fire doors
<b>20 minutes</b>	wood doors

### Options:

Code	Description
AS	Adjust-A-Screw for correcting alignment problems up to 3/8"*
DDP	Dutch Door Hinges (DD form required)
HT	Hospital Tip
RB	Raised Barrel
AMS	Adjustable Monitoring Switch
EL	ElectroLynx® Concealed Circuit (4, 8 or 12 wire)
CTP	Current Transfer Prep (cut out only) for Adams Rite, Yale, Securitron, PEMKO, Dorma & Centurion*
EPT	Power Transfer Prep (cut out only) for PEMKO, Securitron, Von Duprin**

Consult the factory on other available options

\* Adjust-A-Screw™ assemblies are approved for use on labeled doors. UL Certification file #R15384 (N)

\*\* Power Transfer Location Template must accompany your order

## MCK-HG306 Series

This barrel-type hinge is used with hollow metal frames and wood or hollow metal doors. The guard that wraps the door covers up dents, scratches, and splitting of the door. This product covers the door's edge and wraps the door face to prevent further damage. This hinge can also be used to reverse the swing of a door.

- $\frac{3}{16}$ " diameter stainless steel barrel type hinge pin (rod). Flanged nylon bearings. Stainless steel end pins
- Heavy-duty 14 gauge 304 stainless steel, finished in US32D (630). Covers in extruded aluminum with brushed aluminum finish
- Fasteners concealed when door is closed. Fastener screw pack includes #10 x  $\frac{7}{16}$ " PH U/C Self Drilling, 410 S.S. #10 x  $1\frac{1}{4}$ " PH U/C S.S. Cover Clip #8 x  $\frac{3}{4}$ " PHF Tek, Zinc
- 13/4" doors supports weights up to 600lbs. 4'0" maximum door width
- Symmetrically templated hole pattern. Handing required for 6'8" and 7'2" and for most optional features
- Exterior barrel diameter .438 ( $\frac{7}{16}$ ")
- Optional features include US32 Bright Polished Stainless (629), custom lengths (specify handing and length in inches), custom hole patterns, tamper-proof security screws, special sheared leaf
- When installed on a 16 gauge (or heavier) metal frame, hinge reinforcements are not required, nor are they recommended. However, if the frames are equipped with mortise hinge reinforcements, removal is not advised
- ANSI/BHMA Standard A156.26 Grade 1

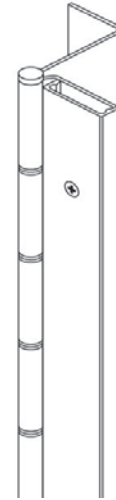
### Fire Rating

<b>3 hours</b>	hollow metal doors
<b>90 minutes</b>	hollow metal and composite core wood fire doors
<b>20 minutes</b>	wood doors

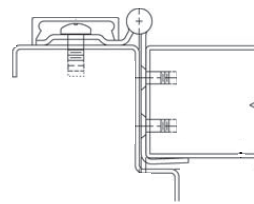


Classified in accordance with UL10C for positive pressure

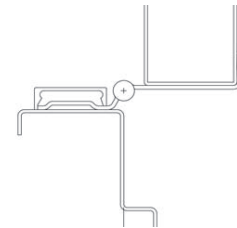
## MCK-HG306



Door Closed



Door Open 90°



### Options:

Code	Description
DDP	Dutch Door Hinges (DD form required)
HT	Hospital Tips
RB	Raised Barrel
CTP	Current Transfer Prep (cut out only) for Adams Rite, Yale, Securitron, PEMKO, Dorma & Centurion*
EPT	Power Transfer Prep (cut out only) for Von Duprin, Securitron, PEMKO*

Consult the factory on other available options

\* Power Transfer Location Template must accompany your order

## MCK-FS309 Series

This barrel-type hinge is used to ensure that a door opened to a 90° angle is removed from the opening. This hinge will mount on a 1¾" face, and is especially useful for ADA upgrade work.

- ¾" diameter stainless steel barrel type hinge pin (rod). Flanged nylon bearings. Stainless steel end pins
- Heavy-duty 14 gauge, 304 stainless steel, finished in US32D (630)
- Fasteners concealed when door is closed. Fastener screw pack includes #10 x 1¼" PH U/C S.S. #10 x 7/8" PFH U/C SD, 410 SS ¼-20 x ¾ PPH Tek SD, Zinc #8 x ¾" PHF Tek, Zinc Cover Clip
- 1¾" doors supports weights up to 600lbs. 4'0" maximum door width
- Symmetrically templated hole pattern. Non-handed
- Exterior barrel diameter .438 (7/16)
- Optional features include US32 Bright Polished Stainless (629), custom lengths (specify handing and length in inches), custom hole patterns, tamper-proof security screws, special sheared leaf
- When installed on a 16 gauge (or heavier) metal frame, hinge reinforcements are not required, nor are they recommended. However, if the frames are equipped with mortise hinge reinforcements, removal is not advised
- ANSI/BHMA Standard A156.26 Grade 1

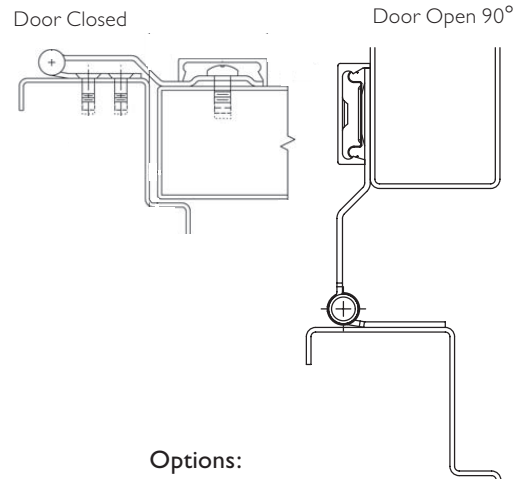
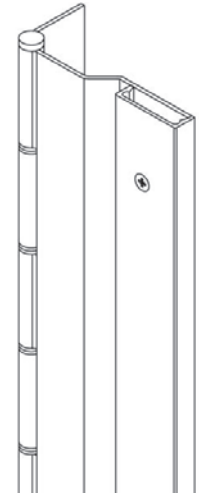
### Fire Rating

<b>3 hours</b>	hollow metal doors
<b>90 minutes</b>	hollow metal and composite core wood fire doors
<b>20 minutes</b>	wood doors



Classified in accordance with UL10C for positive pressure

## MCK-FS309



### Options:

Code	Description
DDP	Dutch Door Hinges (DD form required)
HT	Hospital Tip
LL	Lead-lined Cover w/ ¼" lead-lining

Consult the factory on other available options



## MCK-HG310 Series

ADA-compliant barrel-type hinge is used on operating room doors to swing the door out of the opening when moving equipment in and out. The hinge guard also protects the door from dents and gouges.

- $\frac{3}{16}$ " diameter stainless steel barrel type hinge pin (rod). Flanged nylon bearings. Stainless steel end pins
- Heavy-duty 14 gauge 304 stainless steel, finished in US32D (630)
- Fasteners concealed when door is closed. Fastener screw pack includes #10 x  $\frac{7}{16}$ " PH U/C Self Drilling, 410 S.S. #10 x  $1\frac{1}{4}$ " PH U/C S.S. 10-32
- $1\frac{3}{4}$ " Doors supports weights up to 600lbs. 4'0" maximum door width
- Symmetrically templated hole pattern. Handing required for 6'8", 7'2" and for most optional features
- For use on center hung lead lined doors
- Exterior Barrel Diameter .438 ( $\frac{7}{16}$ ")
- Optional MTSP-100 right angle skewdriver for ease of installation
- Optional features include US32 Bright Polished Stainless (629), custom lengths (specify handing and length in inches), custom hole patterns, tamper-proof security screws, special sheared leaf
- ANSI/BHMA Standard A156.26 Grade 1

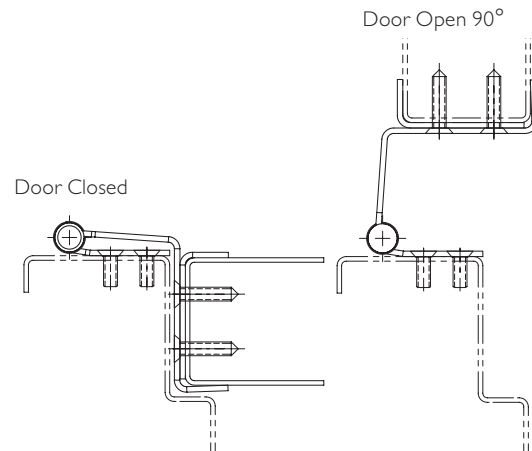
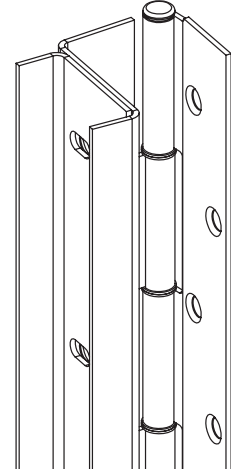
### Fire Rating

<b>3 hours</b>	hollow metal doors
<b>90 minutes</b>	hollow metal and composite core wood fire doors
<b>20 minutes</b>	wood doors



Classified in accordance with UBC code standard 7-2 for positive pressure

### MCK-HG310



### Options:

Code	Description
AS	Adjust-A-Screw™ for correcting alignment problems up to $\frac{3}{8}$ "**
DD	Dutch Door Hinges (DD form required)
HT	Hospital Tips
RB	Raised Barrel
CTP	Current Transfer Prep (cut out only) for Adams Rite (SC model only), Yale, Securitron, PEMKO, Dorma & Centurion*

\* Adjust-A-Screw™ assemblies are approved for use on labeled doors. UL Certification file #R15384 (N)  
\*\* Power Transfer Location Template must accompany your order

Consult the factory on other available options

## MCK-HG311 Series

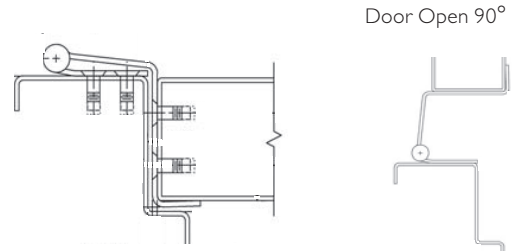
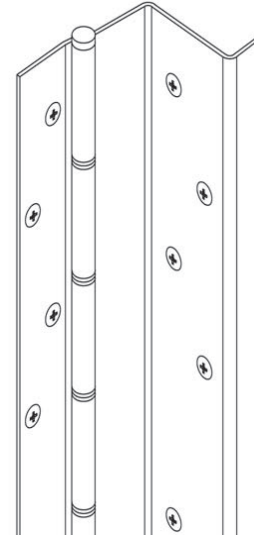
This surface applied swing clear version allows doors to meet ADA requirements. The single wrap protects door edges from cart damage.

- 3/16" diameter stainless steel barrel type hinge pin (rod). Flanged nylon bearings. Stainless steel end pins
- Heavy-duty 14 gauge, 304 stainless steel, finished in US32D (630)
- Fasteners concealed when door is closed. Fastener pack includes #10 x 7/8" PHF U/C SD 410 SS #10 x 1 1/4" PHF U/C SS
- 13/4" doors supports weights up to 600lbs. 4'0" maximum door width
- Symmetrically templated hole pattern. Specify handing for 6'8", 7'2" and for most optional features
- For use on center hung lead lined doors
- Exterior barrel diameter .438 (7/16")
- Optional MTSP-100 right angle skewdriver for ease of installation
- Optional features include US32 Bright Polished Stainless (629), custom lengths (specify handing and length in inches), custom hole patterns, tamper-proof security screws, special sheared leaf
- When installed on a 16 gauge (or heavier) metal frame, hinge reinforcements are not required, nor are they recommended. However, if the frames are equipped with mortise hinge reinforcements, removal is not advised
- ANSI/BHMA Standard A156.26 Grade 1



Classified in accordance with UL10C for positive pressure

### MCK-HG311



#### Fire Rating

<b>3 hours</b>	hollow metal doors
<b>90 minutes</b>	hollow metal and composite core wood fire doors
<b>20 minutes</b>	wood doors

#### Options:

Code	Description
DDP	Dutch Door Hinges (DD form required)
HT	Hospital Tip
RB	Raised Barrel
CTP	Current Transfer Prep (cut out only) for Adams Rite (SC model only), Yale, Securitron, PEMKO, Dorma & Centurion*

Consult the factory on other available options

\* Power Transfer Location Template must accompany your order

## MCK-HG315 Series

Featuring our unique edge guard, this economical hinge prevents objects being placed between the door and frame as well as protecting the door's edge while supporting the door's weight along the entire length of the jamb. Use the EGC308 Edge Guard with this hinge for a nicely balanced look.

- 3/16" diameter stainless steel barrel type hinge pin (rod). Flanged nylon bearings. Stainless steel end pins
- Heavy-duty 14 gauge 304 stainless steel, finished in US32D (630)
- Fasteners concealed when door is closed. Fastener screw pack includes #10 x 7/8" PFH U/C SD 410 SS #10 x 1 1/4" PFH U/C SS
- 13/4" doors supports weights up to 600lbs. 4'0" maximum door width
- Symmetrically templated hole pattern. Specify handing for 6'8", 7'2" and for most optional features
- For use on center hung lead lined doors
- Exterior barrel diameter .438 (7/16")
- Optional features include US32 Bright Polished Stainless (629), custom lengths (specify handing and length in inches), custom hole patterns, tamper-proof security screws, special sheared leaf
- When installed on a 16 gauge (or heavier) metal frame, hinge reinforcements are not required, nor are they recommended. However, if the frames are equipped with mortise hinge reinforcements, removal is not advised
- ANSI/BHMA Standard A156.26 Grade 1

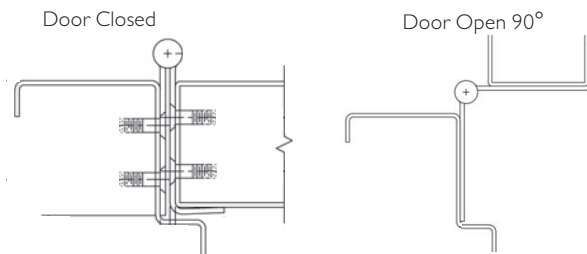
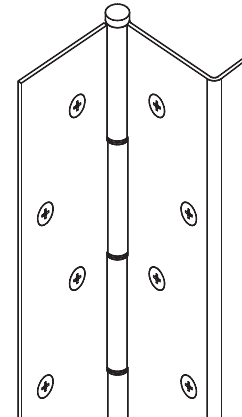
### Fire Rating

<b>3 hours</b>	hollow metal doors
<b>90 minutes</b>	hollow metal and composite core wood fire doors
<b>20 minutes</b>	wood doors



Classified in accordance with UL10C 7-2 for positive pressure

## MCK-HG315



### Options:

Code	Description
DDP	Dutch Door Hinges (DD form required)
HT	Hospital Tips
RB	Raised Barrel
AMS	Adjustable Monitoring Switch
EL	ElectroLynx® Concealed Circuit (4, 8 or 12 wire)
CTP	Current Transfer Prep (cut out only) for Adams Rite, Yale, Securitron, PEMKO, Dorma & Centurion*
EPT	Power Transfer Prep (cut out only) for PEMKO, Securitron, Von Duprin*

Consult the factory on other available options

\* Power Transfer Location Template must accompany your order

## MCK-FS321 Series

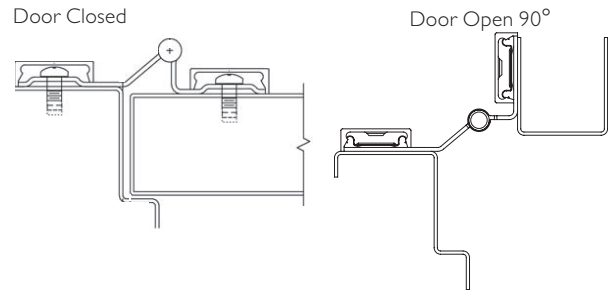
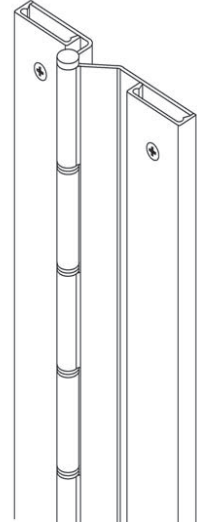
Featuring our unique edge guard, this economical hinge prevents objects from being placed between the door and frame as well as protecting the door's edge while supporting the door's weight along the entire length of the jamb. This hinge is designed to replace the worn top or intermediate pivots and still work in conjunction with 3/4" offset floor closers. Use the EGC308 Edge Guard with this hinge for a nicely balanced look.



Classified in accordance with UL10C for positive pressure

- 3/16" diameter stainless steel barrel type hinge pin (rod). Flanged nylon bearings. Stainless steel end pins
- Heavy-duty 14 gauge, 304 stainless steel, finished in US32D (630)
- No exposed mounting fasteners when closed. Fastener screw pack includes 1/4-20 x 3/4" PPH Tek SD, Zinc #8 x 3/4" PHF Tek, Zinc Cover Clip.
- Fastener cover available in brushed aluminum
- 1 3/4" doors supports weights up to 600lbs. 4'0" maximum door width
- Symmetrically templated hole pattern. Specify handing for 6'8", 7'2" and for most optional features
- Exterior barrel diameter .438 (7/16")
- Optional features include US32 Bright Polished Stainless (629), custom lengths (specify handing and length in inches), custom hole patterns, tamper-proof security screws, special sheared leaf
- When installed on a 16 gauge (or heavier) metal frame, hinge reinforcements are not required, nor are they recommended. However, if the frames are equipped with mortise hinge reinforcements, removal is not advised
- ANSI/BHMA Standard A156.26 Grade 1

### MCK-FS321



#### Fire Rating

<b>3 hours</b>	hollow metal doors
<b>90 minutes</b>	hollow metal and composite core wood fire doors
<b>20 minutes</b>	wood doors

#### Options:

Code	Description
DDP	Dutch Door Hinges (DD form required)
HT	Hospital Tip
LL	Lead Lined Cover with 1/16" lead lining

Consult the factory on other available options

## MCK-HG322 Series

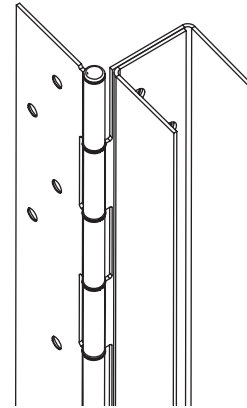
All the features of the HG305 Hinge/Guard plus 2" extensions. The extended edge guards give added protection to more of the door face than standard edge guards.

- 3/16" diameter stainless steel barrel type hinge pin (rod). Flanged nylon bearings. Stainless steel end pins
- Heavy-duty 14 gauge 304 stainless steel, finished in US32D (630).
- Fasteners when closed. Fastener screw pack includes #10 x 7/8" PH U/C Self Drilling, 410 S.S. #10 x 1 1/4" PH U/C S.S. 10-32
- 1 3/4" Doors supports weights up to 600lbs. 4'0" maximum door width.
- Symmetrically templated hole pattern. Specify handing on 6'8", 7'2" and for most optional features
- Exterior barrel diameter .438 (7/16")
- Optional features include US32 Bright Polished stainless (629), custom lengths (specify handing and length in inches), custom hole patterns, tamper-proof security screws, special sheared leaf
- Wrap-around edge guard protects the door from unsightly dents and gouges from carts and gurneys while providing clean lines and an aesthetic appearance
- ANSI/BHMA Standard A156.26 Grade 1

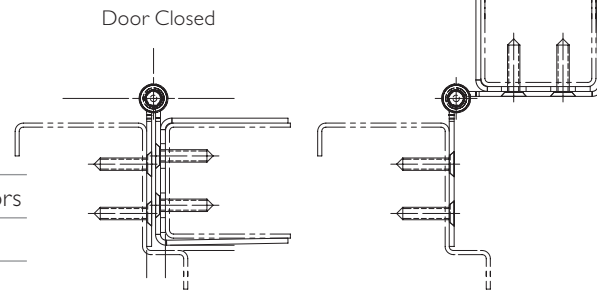


Classified in accordance with UL10C for positive pressure

### MCK-HG322



Door Open 90°



#### Fire Rating

<b>3 hours</b>	hollow metal doors
<b>90 minutes</b>	hollow metal and composite core wood fire doors
<b>20 minutes</b>	wood doors

#### Options:

Code	Description
AS	Adjust-A-Screw™ for correcting alignment problems up to 3/8"*
DDP	Dutch Door Hinges (DD form required)
HT	Hospital Tips
RB	Raised Barrel
AMS	Adjustable Monitoring Switch
EL	ElectroLynx® Concealed Circuit (4, 8 or 12 wire)
CTP	Current Transfer Prep (cut out only) for Adams Rite, Yale, Securitron, PEMKO, Dorma & Centurion**
EPT	Power Transfer Prep (cut out only) for Von Duprin, Securitron, PEMKO**

Consult the factory on other available options

\* Adjust-A-Screw™ assemblies are approved for use on labeled doors. UL Certification file #R15384 (N)

\*\* Power Transfer Location Template must accompany your order

## MCK-HG323 Series

This extended wrap model allows you to sandwich the door between two leaves of stainless steel and thru-bolt them together. Ideal for salvaging doors which have split. This hinge has all of the features of the MCK-HG305 plus 2" extensions.

- 3/16" diameter stainless steel barrel type hinge pin (rod). Flanged nylon bearings. Stainless steel end pins
- Heavy-duty 14 gauge, 304 stainless steel, finished in US32D (630)
- Fasteners concealed when door is closed. Fastener pack includes #10 x 7/8" PHF U/C SD 410 SS #10 x 1 1/4" PHF U/C SS
- 13/4" doors supports weights up to 600lbs. 4'0" maximum door width
- Symmetrically templated hole pattern. Non-handed
- Exterior barrel diameter .438 (7/16")
- Optional features include US32 Bright Polished Stainless (629), custom lengths (specify handing and length in inches), custom hole patterns, tamper-proof security screws, special sheared leaf
- When installed on a 16 gauge (or heavier) metal frame, hinge reinforcements are not required, nor are they recommended. However, if the frames are equipped with mortise hinge reinforcements, removal is not advised
- ANSI/BHMA Standard A156.26 Grade 1

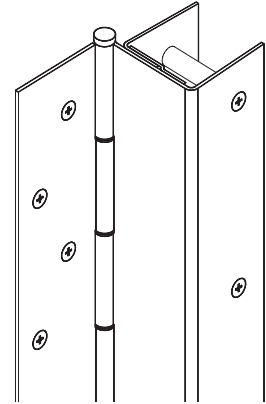
### Fire Rating

<b>3 hours</b>	hollow metal doors
<b>90 minutes</b>	hollow metal and composite core wood fire doors
<b>20 minutes</b>	wood doors

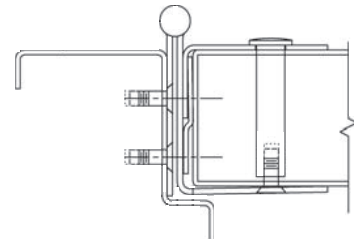


Classified in accordance with UL10 for positive pressure

## MCK-HG323



Door Closed



### Options:

Code	Description
DDP	Dutch Door Hinges (DD form required)
HT	Hospital Tips
RB	Raised Barrel
AMS	Adjustable Monitoring Switch
EL	ElectroLynx® Concealed Circuit (4, 8 or 12 wire)
CTP	Current Transfer Prep (cut out only) for Adams Rite, Yale, Securitron, PEMKO, Dorma & Centurion*
EPT	Power Transfer Prep (cut out only) for Von Duprin, Securitron, PEMKO*

Consult the factory on other available options

\* Power Transfer Location Template must accompany your order

## MCK-HG326 Series

The integral hinge guard protects the door from dings and gouges from carts and gurneys while providing clean lines and aesthetic appearance. Our HG products also have fire ratings up to and including 3 hours.

- $\frac{3}{16}$ " diameter stainless steel barrel type hinge pin (rod). Flanged nylon bearings. Stainless steel end pins
- Heavy-duty 14 gauge 304 stainless steel, finished in US32D (630)
- Fasteners concealed when door is closed. Fastener screw pack includes #10 x  $\frac{7}{8}$ " PH U/C Self Drilling, 410 S.S. #10 x  $1\frac{1}{4}$ " PH U/C S.S. 10-32
- 13/4" Doors supports weights up to 600lbs. 4'0" maximum door width
- Symmetrically templated hole pattern. Specify handing for 6'8", 7'2" and for most optional features
- Exterior barrel diameter .438 ( $\frac{7}{16}$ )
- Optional features include US32 Bright Polished Stainless (629), custom lengths (specify handing and length in inches), custom hole patterns, tamper-proof security screws, special sheared leaf
- ANSI/BHMA Standard A156.26 Grade 1

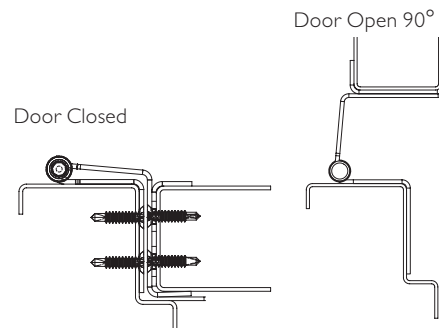
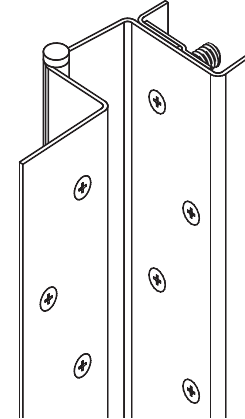
### Fire Rating

<b>3 hours</b>	hollow metal doors
<b>90 minutes</b>	hollow metal and composite core wood fire doors
<b>20 minutes</b>	wood doors



Classified in accordance with UL10C for positive pressure

## MCK-HG326



### Options:

Code	Description
AS	Adjust-A-Screw™ for correcting alignment problems up to 3/8"*
DDP	Dutch Door Hinges (DD form required)
HT	Hospital Tips
RB	Raised Barrel
CTP	Current Transfer Prep (cut out only) for Adams Rite (SC model only), Yale, Securitron, PEMKO, Dorma & Centurion**

Consult the factory on other available options

\* Adjust-A-Screw™ assemblies are approved for use on labeled doors. UL Certification file #R15384 (N)

\*\* Power Transfer Location Template must accompany your order

## MCK-FM327 Series

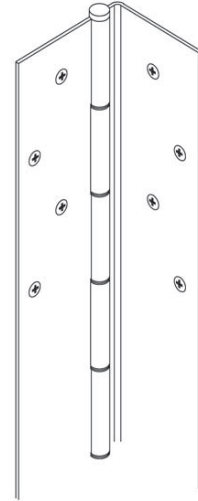
This unique design prevents small fingers from getting pinched in the door. It is ideal for elementary schools, day care, childcare, and nursing home facilities. This full-length continuous hinge also provides privacy by blocking sight lines into rooms. The hinge must be used with a cased open type frame.

- 3/16" diameter stainless steel barrel type hinge pin (rod). Flanged nylon bearings. Stainless steel end pins
- Heavy-duty 14 gauge, 304 stainless steel, finished in US32D (630)
- No exposed mounting fasteners when closed. Fastener pack includes #10 x 7/8" PHF U/C SD 410 SS #10 x 1 1/4" PHF U/C SS.
- 13/4" doors supports weights up to 600lbs. 4'0" maximum door width
- Symmetrically templated hole pattern. Specify handing for 6'8", 7'2" and for most optional features
- Exterior barrel diameter .438 (7/16")
- Optional features include US32 Bright Polished Stainless (629), custom lengths (specify handing and length in inches), custom hole patterns, tamper-proof security screws, special sheared leaf
- When installed on a 16 gauge (or heavier) metal frame, hinge reinforcements are not required, nor are they recommended. However, if the frames are equipped with mortise hinge reinforcements, removal is not advised
- ANSI/BHMA Standard A156.26 Grade 1



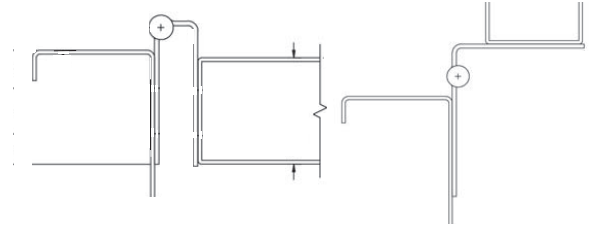
Classified in accordance with UL10C for positive pressure

### MCK-FM327



Door Closed

Door Open 90°



#### Options:

Code	Description
DDP	Dutch Door Hinges (DD form required)
RB	Raised Barrel

Consult the factory on other available options



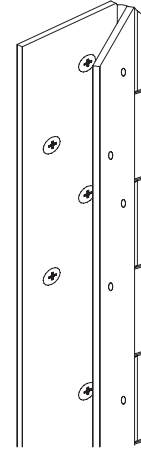
## MCK-FM3500 Series

This edge mount pin and barrel type hinge with hospital tip is fabricated with extra-heavy duty components for use on high traffic, high abuse doors. The hinge is specially designed and well suited for correctional facilities and other high security locations using 2" thick swing-type doors. Prison doors, gates, extremely tall doors and extra heavy doors are all good candidates for the 3500 Security Hinge.

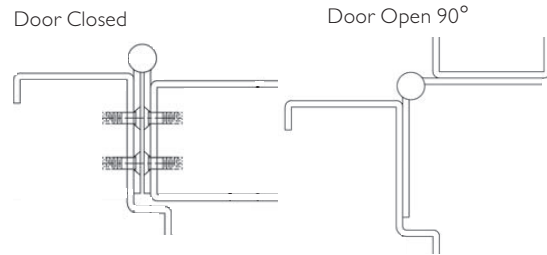


Classified in accordance with UL 10C for positive pressure

### MCK-FM3500



- 3/8" diameter stainless steel barrel type hinge pin (rod). Flanged nylon bearings. Stainless steel end pins
- Heavy-duty 12 gauge (.105") 304 stainless steel, finished in US32D (630)
- Fasteners concealed when door is closed. Fastener screw pack includes #1/2 x 12-24 PFHMS U/C S.S.
- Hospital tip standard
- 2" doors supports weights up to 900lbs. 4'0" maximum door width
- Symmetrically templated hole pattern. Specify handing
- For use on center hung lead lined doors
- Optional features include US32 Bright Polished Stainless (629), custom lengths (specify handing and length in inches), custom hole patterns, plug weld hole pattern, Torx Security Screws 1/2 x 12-24, special sheared leaf, security stud option
- When installed on a 16 gauge (or heavier) metal frame, hinge reinforcements are not required, nor are they recommended. However, if the frames are equipped with mortise hinge reinforcements, removal is not advised
- ANSI/BHMA Standard A156.26 Grade 1



#### Fire Rating

<b>3 hours</b>	Hollow metal doors mounted singly
<b>90 minutes</b>	Hollow metal and composite core wood fire doors
<b>20 minutes</b>	Wood doors

#### Options:

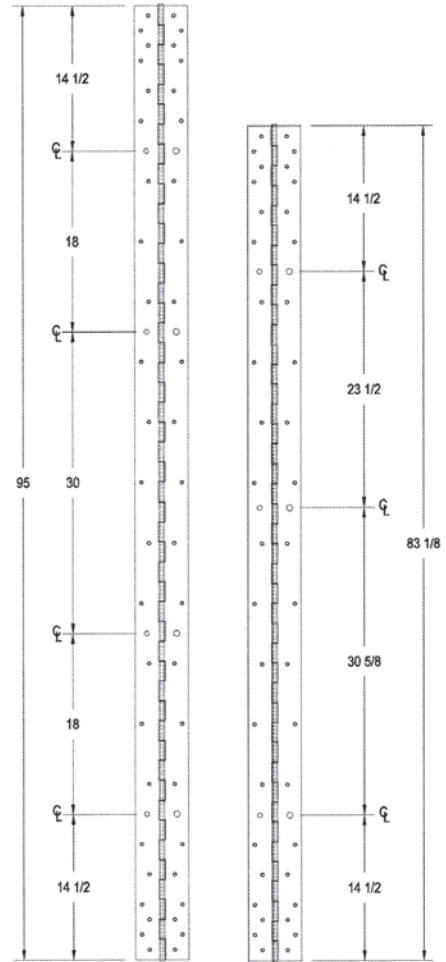
Code	Description
DDP	Dutch Door Hinges (DD form required)
RB	Raised Barrel
AMS	Adjustable Monitoring Switch
EL	ElectroLynx® Concealed Circuit (4, 8 or 12 wire)
CTP	Current Transfer Prep (cut out only) for Adams Rite, Yale, Securitron, PEMKO, Dorma & Centurion*
EPT	Power Transfer Prep (cut out only) for Von Duprin, Securitron, PEMKO*

Consult the factory on other available options

\* Power Transfer Location Template must accompany your order

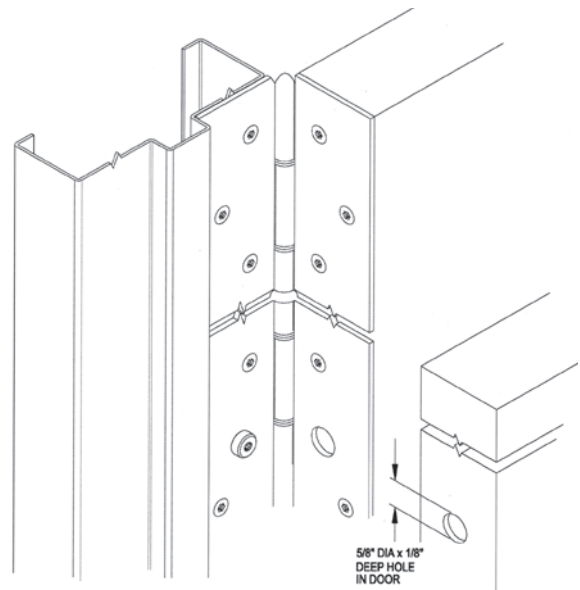
### FM-3500 Security Stud Locations for 8' 0" & 7' 0"

A 5/8" x 1/8" hole is required in the door to receive the security stud.



### FM-3500 Security Stud Option

The 1/2" diameter x 1/4" projected 304 stainless Security Stud is permanently mounted to the frame leaf and extends through the door leaf into the door for added security. There are 3 Security Studs required for the 7'0" hinge and 4 required for the 8'0" hinge. A 5/8" x 1/8" hole is required in the door to receive the Security Stud.



## MCK-FS3501 Series

For 1/8" inset doors. This hinge allows for perfect alignment for the retrofitting of doors in correctional facilities and other high security locations using 2" thick swing-type doors. Prison doors, gates, extremely tall doors and extra heavy doors are all good candidates for the 3501 Security Hinge.

- 3/8" diameter stainless steel barrel type hinge pin (rod). Flanged nylon bearings. Stainless steel end pins
- Heavy-duty 12 gauge (.105") 304 stainless steel, finished in US32D (630)
- Hospital tip standard
- No exposed mounting fasteners when closed. Fastener screw pack includes #1/2 x 12-24 PFHMS U/C S.S.
- 2" doors supports weights up to 900lbs. 4'0" maximum door width
- Symmetrically templated hole pattern. Specify Handing
- For use on center hung lead lined doors
- Optional features include US32 Bright Polished Stainless (629), custom lengths (specify handing and length in inches), custom hole patterns, plug weld hole pattern, tamper-proof security screws, special sheared leaf
- When installed on a 16 gauge (or heavier) metal frame, hinge reinforcements are not required, nor are they recommended. However, if the frames are equipped with mortise hinge reinforcements, removal is not advised
- ANSI/BHMA Standard A156.26 Grade 1

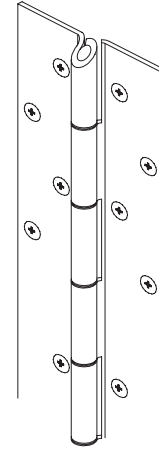
### Fire Rating

<b>3 hours</b>	hollow metal doors mounted singly
<b>90 minutes</b>	hollow metal and composite core wood fire doors
<b>20 minutes</b>	wood doors

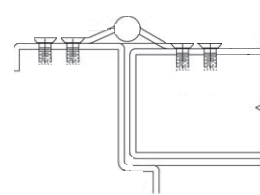


Classified in accordance with UL10C for positive pressure

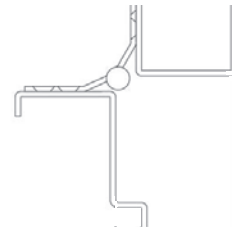
### MCK-FS3501



Door Closed



Door Open 90°



### Options:

Code	Description
<b>DDP</b>	Dutch Door Hinges (DD form required)

Consult the factory on other available options

## MCK-FS3502 Series

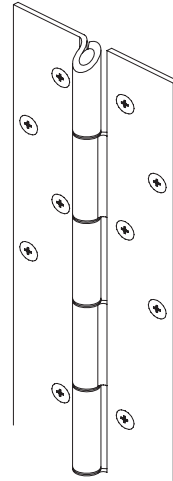
This hinge is well suited for correctional facilities and other high security locations using 2" thick swing type doors. Prison doors, gates extremely tall doors and extra heavy doors are all good candidates for this 3502 Security Hinge.

- 3/8" diameter stainless steel barrel type hinge pin (rod). Flanged nylon bearings. Stainless steel end pins
- Heavy-duty 12 gauge (.105) 304 stainless steel, finished in US32D (630)
- Hospital tip standard
- No exposed mounting fasteners when closed. Fastener screw pack includes #1/2 x 12-24 PFHMS U/C S.S.
- 2" doors supports weights up to 900lbs. 4'0" maximum door width
- Symmetrically templated hole pattern. Specify handing
- For use on center hung lead lined doors
- Optional features include US32 Bright Polished Stainless (629), custom lengths (specify handing and length in inches), custom hole patterns, tamper-proof security screws, special sheared leaf
- When installed on a 16 gauge (or heavier) metal frame, hinge reinforcements are not required, nor are they recommended. However, if the frames are equipped with mortise hinge reinforcements, removal is not advised
- This surface-mounted pin and barrel type hinge is fabricated with extra-heavy duty components and designed for solving door sag problems on high traffic, high abuse doors
- ANSI/BHMA Standard A156.26 Grade 1

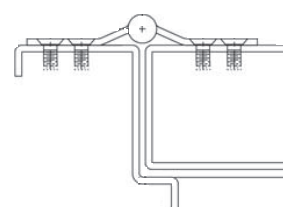


Classified in accordance with UL10C for positive pressure

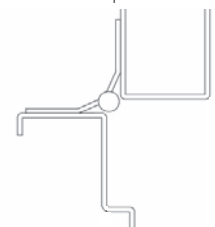
### MCK-FS3502



Door Closed



Door Open 90°



#### Fire Rating

<b>3 hours</b>	hollow metal doors mounted singly
<b>90 minutes</b>	hollow metal and composite core wood fire doors
<b>20 minutes</b>	wood doors

#### Options:

Code	Description
DDP	Dutch Door Hinges (DD form required)

Consult the factory on other available options

## MCK-HG3505 Series

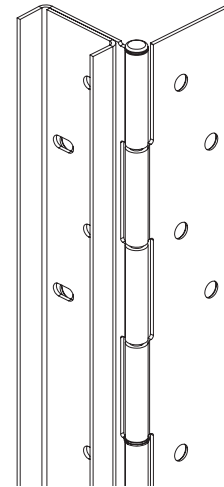
The integral hinge guard protects the door from dings and gouges from carts and gurneys while providing clean lines and aesthetic appearance. Our HG products also have fire ratings up to and including 3 hours.

- 3/16" diameter stainless steel barrel type hinge pin (rod). Flanged nylon bearings. Stainless steel end pins
- Heavy-duty 14 gauge (.105") hinge leaves; 14 gauge returns on door leaf, 304 stainless steel, finished in US32D (630)
- No exposed mounting fasteners when closed. Fastener screw pack includes 12-24 S.S. Phillips F.H.M.S. 1 3/8" RH
- 2" doors supports weights up to 900lbs. 4'0" maximum door width
- Symmetrically templated hole pattern. Specify handing
- For use on center hung lead lined doors
- Optional features include US32 Bright Polished Stainless (629), custom lengths (specify handing and length in inches), custom hole patterns, tamper-proof security screws, special sheared leaf
- ANSI/BHMA Standard A156.26 Grade 1



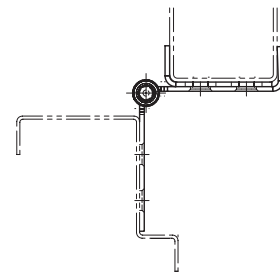
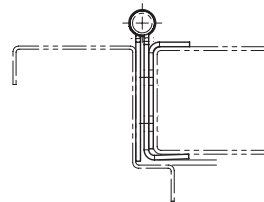
Classified in accordance with UL10C for positive pressure

### MCK-HG3505



Door Closed

Door Open 90°



#### Fire Rating

<b>3 hours</b>	hollow metal doors mounted singly
<b>90 minutes</b>	hollow metal and composite core wood fire doors
<b>20 minutes</b>	wood doors

#### Options:

Code	Description
AS	Adjust-A-Screw™ for correcting alignment problems up to 3/8"
DD	Dutch Door Hinges (DD form required)
RB	Raised Barrel
AMS	Adjustable Monitoring Switch
EL	ElectroLynx® Concealed Circuit (4, 8 or 12 wire)
CTP	Current Transfer Prep (cut out only) for Adams Rite, Yale, Securitron, PEMKO, Dorma & Centurion**
EPT	Power Transfer Prep (cut out only) for Von Duprin, Securitron, PEMKO**

Consult the factory on other available options

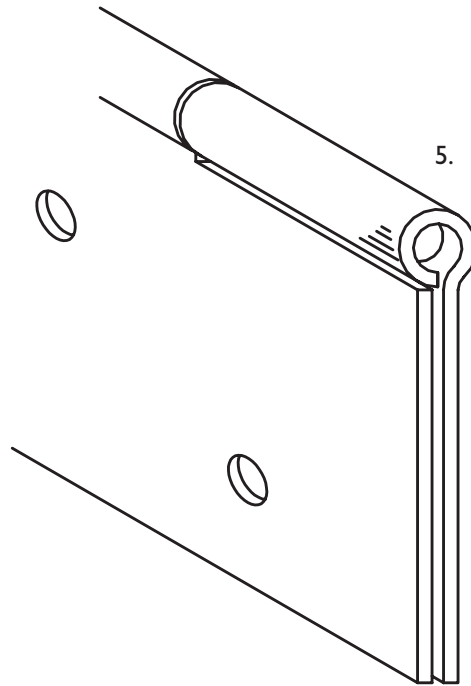
\* Adjust-A-Screw™ assemblies are approved for use on labeled doors. UL Certification file #R15384 (N)

\*\* Power Transfer Location Template must accompany your order

## Cutting Pin & Barrel Hinges To Custom Lengths

The following instructions will apply to all McKinney pin and barrel hinges. The general instructions apply to both 300 and 3700 series hinges.

1. Determine the amount that the hinge needs to be shortened. Note the hand of the hinge before beginning to lay out your cut. All cuts will be done at the bottom of your hinge assembly making sure to leave the gang hole pattern at the top.
2. Measure from the top down and scribe a cut line on your leaf at the desired length.
3. Cut the hinge to length with a hacksaw, going through the leafs, barrel and pin. If necessary, use a file to remove sharp edges and deburr.
4. Slide the stainless steel pin out approximately 1" making sure the assembly stays together as one unit. Remove  $\frac{1}{4}$ " from the end of the pin using a hacksaw and then push back into its original position.
5. Using a pair of vice-grips, crimp the end of the steel barrel making sure the hinge pin will not slide out.



## MCK-EG308 Series

This edge guard which can make doors adjustable to non-plumb frames protects the leading edge of the door is used in conjunction with the MCK-HG305 for a balanced aesthetic look.

When using this edge guard in a hollow metal door application, we strongly suggest your doors be ordered and manufactured with reinforcement at the lock side of the door for proper use of the optional Adjust-A-Screw™ assembly.

This added reinforcement will ensure the proper amount of material for threading the Adjust-A-Screw™, giving the strength needed to last the life of the door. This reinforcement only applies to Adjust-A-Screw™ assembly and is not needed for any other hardware application.

- Heavy-duty 16 gauge, 304 stainless steel, finished in US32D (630)
- Mounting hardware includes #10 x 1¼ PFH U/C Stainless
- Fasteners are concealed when door is closed
- Specify square or beveled edge when ordering (beveled edge is standard).
- Optional features include US32 bright Polished Stainless (629), custom lengths (specify handing and length in inches), custom hole pattern for lead lined doors
- Hardware cutouts require handing and include flush bolts, ASA strike, 86 edge and ASA lock, hospital latch and 161 cutout
- **Measurements for hardware cutouts should be given from top of door to centerline of cutout. The edge guard order form must accompany your order**
- Please note hinge cut outs are not available at this time

### Fire Rating

**up to ½ hour** Wood, Plastic Coated Wood Composite and Hollow Metal Fire Rated doors

May not apply to all wood doors. Please consult factory for specific wood door applications.

## MCK-EG308

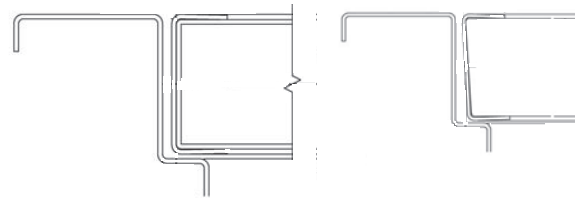


Classified in accordance with UL10C fire test of door assemblies for positive pressure – also Miscellaneous Firedoor Accessory 8N60



Door Closed

Door Open 90°



### Options:

Code	Description
DDP	Dutch Door guard application. #10-32 x 3/4 PFH U/C Stainless
AS	Adjust-A-Screws™ for correcting alignment problems up to 3/8"*
LL	Lead-lined cover w/ 1/16" lead-lining

\* Adjust-A-Screw™ assemblies are approved for use on labeled doors. UL Certification file #R15384 (N)

## MCK-EGC308 SERIES

This edge guard protects the leading edge of the door and can be used in conjunction with the MCK-HG305 for a balanced aesthetic look.

- Heavy-duty 16 gauge, 304 stainless steel, finished in US32D (630)
- Mounting hardware includes #10 x 1¼ PFH U/C S.S.
- Fasteners are concealed when door is closed
- Specify square or beveled edge when ordering (beveled edge is standard)
- Optional features include US32 Bright Polished Stainless (629), custom lengths (specify handing and length in inches), custom hole pattern for lead lined doors
- Hardware cutouts require handing and include flush bolts, ASA strike, 86 edge and ASA lock, hospital latch and 161 cutout
- **Measurements for hardware cutouts should be given from top of door to centerline of cutout. The edge guard order form must accompany your order**
- Please note hinge cutouts are not available at this time

Classified in accordance with UL10C fire test of door assemblies for positive pressure – also Miscellaneous Firedoor Accessory 8N60



### MCK-EGC308

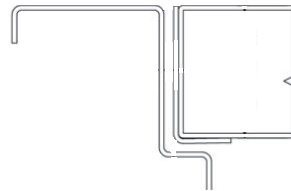


#### Fire Rating

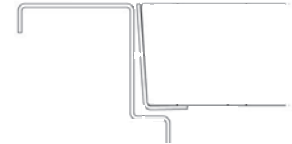
**up to ½ hour** Wood, Plastic Coated Wood Composite and Hollow Metal Fire Rated doors

May not apply to all wood doors. Please consult factory for specific wood door applications

Door Closed



Door Open 90°



#### Options:

Code	Description
DDP	Dutch Door Guard
AS	Adjust-A-Screws™ for correcting alignment problems up to 3/8"
LL	Lead-lined cover w/ 1/8" lead-lining

\* Adjust-A-Screw™ assemblies are approved for use on labeled doors. UI Certification file #R15384 (N)



## MCK-EGT308 Series

The integral overlapping astragal of this edge guard provides an additional level of security by protecting the latch. It is ideal for exterior pairs of doors that require protection from vandalism.

- Heavy-duty 16 gauge, 304 stainless steel, finished in US32D (630)
- Mounting hardware includes #10 x 1¼ PFH U/C Stainless
- Fasteners are concealed when door is closed
- Specify square or beveled edge when ordering
- Optional features include US32 Bright Polished Stainless (629), custom lengths (specify handing and length in inches), custom hole pattern for lead lined doors
- Hardware cutouts require handing and include flush bolts, ASA strike, 86 edge and ASA lock, hospital latch and 161 cutout
- **Measurements for hardware cutouts should be given from top of door to centerline of cutout. The edge guard order form must accompany your order**
- Please note hinge cutouts are not available at this time

### Fire Rating

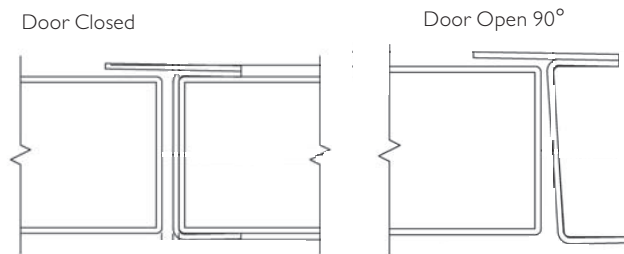
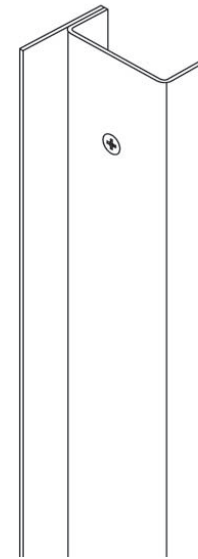
up to ½ hour wood, plastic coated wood composite and hollow metal fire rated doors

May not apply to all wood doors in accordance with UBC standard code 7-2. Please consult factory for specific wood door applications.



Classified in accordance with UL10C fire test of door assemblies for positive pressure – also Miscellaneous Firedoor Accessory 8N60

## MCK-EGT308



### Options:

Code	Description
DDP	Dutch Door Guard
AS	Adjust-A-Screws™ for correcting alignment problems up to 3/8"*

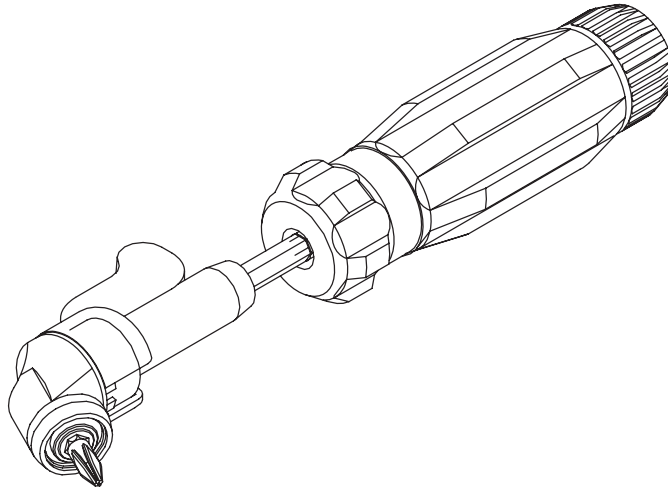
\* Adjust-A-Screw™ assemblies are approved for use on labeled doors. UL Certification file #R15384 (N)

## MTSP100

### Right angle drive skewdriver

This member of McKinney's line of installation tools is the MTSP100 Right Angle Drive Skewdriver. Its unique gearing design gives conventional screwdriver action on hard-to-reach fasteners and the adjustable stabilizer wing provides extra stability in high torque and restricted locations. Heavy-duty construction with die-cast housing and hardened steel gears.

This tool is especially helpful when installing our MCK-HG310 and MCK-HG311 models.



## Hinge Door Frame Clearances Fastener Information

### Under-sizing Required For All Door Applications:

- Hinge Side Clearance.....Dimension Specific Per Model
- Lock side clearance..... $\frac{1}{8}$ " Per N.F.P.A.  
(For single as well as between a pair of doors)
- Allowance for frame irregularities... $\frac{1}{16}$ "

## Standard Non-Adjustable Application Formulas

### Example for Standard Single Door:

MODEL: (MCK-HG305) ..... $\frac{5}{16}$ " Hinge Side Clearance  
 $\frac{1}{8}$ " Lock-side Clearance  
 $\frac{1}{16}$ " Frame Irregularity  
 $\frac{1}{2}$ " (As shown in 300 Series Standard Non-Adjustable Chart Page CH-34)

### Example for Standard Pair of Doors:

MODEL: (MCK-HG305) ..... $\frac{5}{16}$ " Hinge Side Clearance (Door 1)  
 $\frac{5}{16}$ " Hinge Side Clearance (Door 2)  
 $\frac{1}{8}$ " Lock-side Clearance (Between Pair of Doors)  
 $\frac{1}{16}$ " Frame Irregularity  
 $\frac{13}{16}$ " (As shown in 300 Series Standard Non-Adjustable Chart Page CH-34)

For adjustable models used in an **Adjustable Application**, an additional  $\frac{1}{8}$ " of clearance is required as shown below

### Example for Standard Single Door:

MODEL: (MCK-HG305) ..... $\frac{5}{16}$ " Hinge Side Clearance  
 $\frac{1}{8}$ " Lock-side Clearance  
 $\frac{1}{16}$ " Frame Irregularity  
 $\frac{1}{8}$ " Additional Adjustment Clearance  
 $\frac{5}{8}$ " (As shown in 300 Series Adjustable Chart Page CH-34)

### Example for Standard Pair of Doors:

MODEL: (MCK-HG305) ..... $\frac{5}{16}$ " Hinge Side Clearance (Door 1)  
 $\frac{5}{16}$ " Hinge Side Clearance (Door 2)  
 $\frac{1}{8}$ " Lock-side Clearance (Between Pair of Doors)  
 $\frac{1}{16}$ " Frame Irregularity  
 $\frac{1}{8}$ " Additional Adjustment Clearance (Door 1)  
 $\frac{1}{8}$ " Additional Adjustment Clearance (Door 2)  
 $\frac{11}{16}$ " (As shown in 300 Series Adjustable Chart Page CH-34)

## 300 Series Pin & Barrel Stainless Steel Continuous Hinges Clearance Dimensions

### Standard “Non-Adjustable” Application

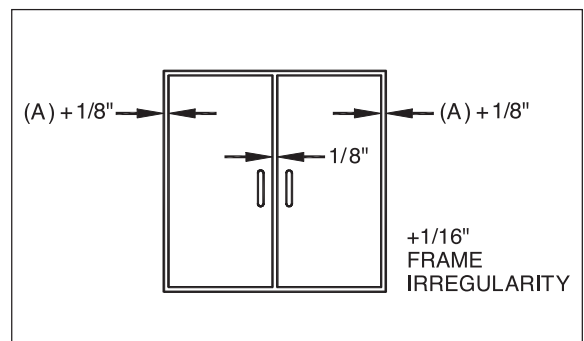
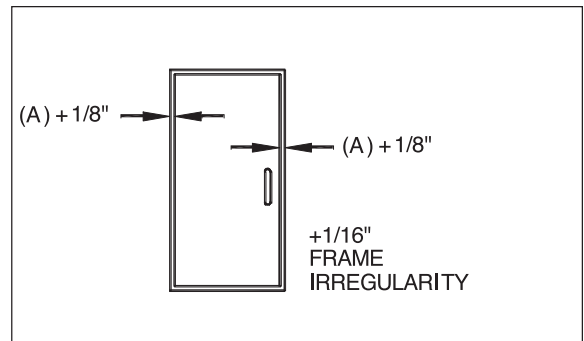
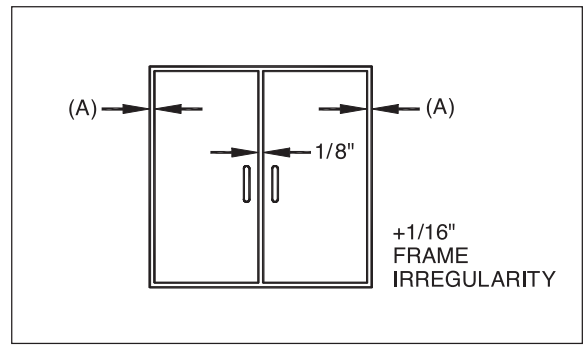
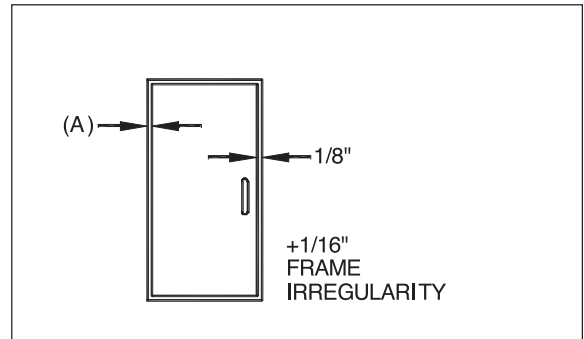
MODEL	Hinge Side Clearance (A)	Total Under-sizing For Single Door	Total Under-sizing For Pair of Doors
MCK-FM300	1/4"	7/16"	11/16"
MCK-FS301	1/8"	5/16"	7/16"
MCK-FS302	1/8"	5/16"	7/16"
MCK-FS303	1/8"	5/16"	7/16"
MCK-HM304*	1/8"	5/16"	7/16"
MCK-HG305	5/16"	9/16"	15/16"
MCK-HG306*	1/8"	5/16"	7/16"
MCK-FS309*	1/8"	5/16"	7/16"
MCK HG310*	1/4"	7/16"	11/16"
MCK-HG311*	1/8"	5/16"	7/16"
MCK-HG315*	1/4"	7/16"	11/16"
MCK-FS321*	1/8"	5/16"	7/16"
MCK-HG322	5/16"	1/2"	13/16"
MCK-HG323	5/16"	1/2"	13/16"
MCK-HG326	5/16"	9/16"	15/16"
MCK-FM327	11/16"	7/8"	19/16"

\*Will work with Industry Standard Clearances.

### “Adjustable” Application

MODEL	Hinge Side Clearance (A)	Total Under-sizing For Single Door	Total Under-sizing For Pair of Doors
MCK-HG305	3/8"	11/16"	13/16"
MCK-HG310	1/4"	9/16"	15/16"
MCK-HG322	5/16"	5/8"	11/16"
MCK-HG323	5/16"	5/8"	11/16"
MCK-HG326	3/8"	11/16"	13/16"

Proper door reinforcement is required for adjustable feature.

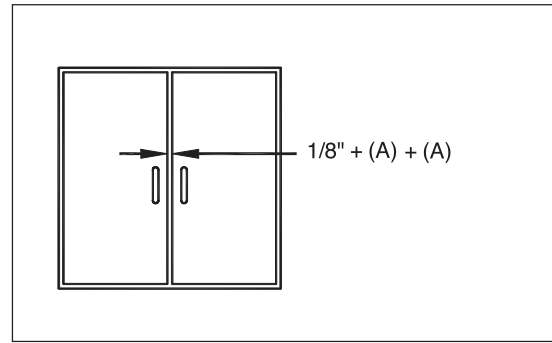
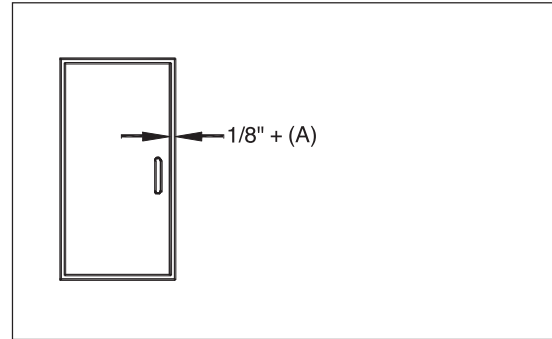


## 300 Series Stainless Steel Continuous Edge Guard Clearance Dimensions

### Standard “Non-Adjustable” Application

MODEL	Hinge Side Clearance (A)	Total Under-sizing For Single Door	Total Under-sizing For Pair of Doors
MCK-EG308	1/16"	3/16"	1/4"
MCK-EGC308	1/16"	3/16"	1/4"
MCK-EGT308	1/16"		1/4"

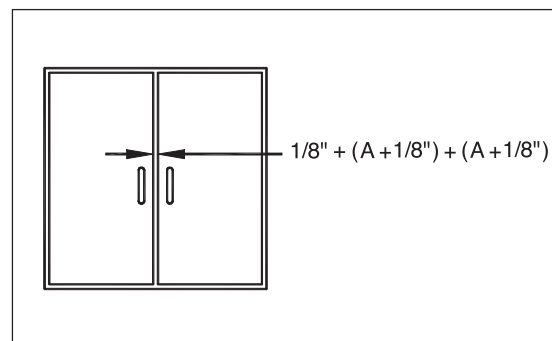
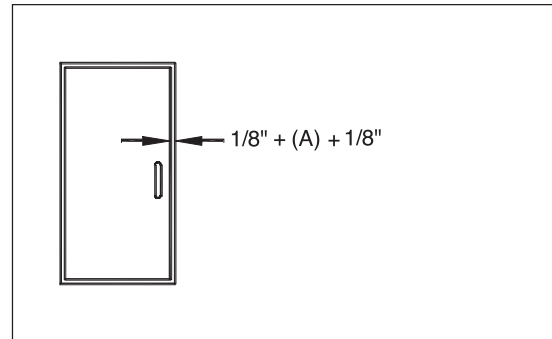
In a stand-alone application, where the MCK-EGt308 is used on a pair of doors while the opposite door contains no edge guard, the total Under-sizing for the pair of doors would be 3/16".



### Standard “Non-Adjustable” Application

MODEL	Hinge Side Clearance (A)	Total Under-sizing For Single Door	Total Under-sizing For Pair of Doors
MCK-EG308	1/16"	5/16"	1/2"
MCK-EGT308	1/16"		1/2"

In a stand-alone application, where the MCK-EGT308 is used on a pair of doors while the opposite door contains no edge guard, the **Total under-sizing for the pair of doors would be 5/16"**. Proper door reinforcement is required for adjustable feature.



### 300 Series Stainless Steel Continuous Edge Guard

- Add to total clearance below when using edge guards and astragals

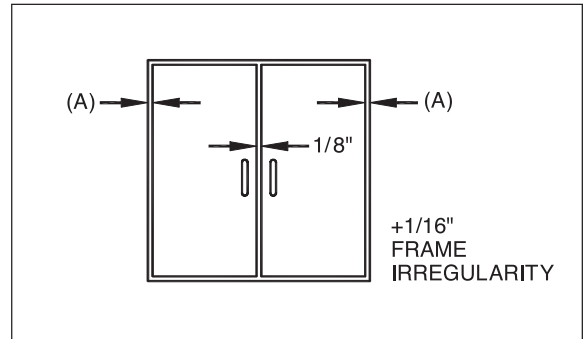
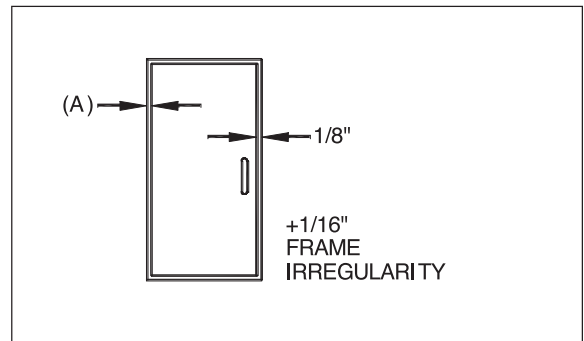
MODEL	Single Guard	1 Per Pair	2 Per Pair
MCK-EG308	1/16"	1/16"	1/8"
MCK-EGC308	1/16"	1/16"	1/8"
MCK-EGT308	n/a	n/a	n/a

### 3700 Series Carbon Steel Continuous Hinges Clearance Dimensions

#### Standard "Non-Adjustable" Application

MODEL	Hinge Side Clearance (A)	Total Under-sizing For Single Door	Total Under-sizing For Pair of Doors
MCK-FM3700	1/4"	7/16"	11/16"
MCK-FS3701*	1/8"	5/16"	7/16"
MCK-FS3702*	1/8"	5/16"	7/16"
MCK-HS3703*	1/8"	5/16"	7/16"

\*Will work with Industry Standard Clearances.



This cross reference is intended for the use of architects and contract hardware distributors in establishing comparisons between the hinge products of McKinney and other manufacturers.

These listings have been carefully compiled from the most recent catalogs of the manufacturers involved and it is believed that it represents a fair comparison between the product lines. While all contract grade hardware is to be manufactured in accordance with BHMA and ANSI standards, McKinney assumes no responsibility for the accuracy of this list of competitors' numbers and suggests that both manufacturers' catalog and templates be consulted for additional information.

McKinney welcomes the opportunity to consult with any architect, distributor, contractor or builder at any time regarding any matter concerning the specification of our products.

**Note:** McKinney pioneered the use of "Oil Lite" bearings in 1935 for improved bearing performance. The standard five knuckle bearing hinges manufactured by McKinney are furnished with oil-impregnated bearings (TA). However, ball bearings can be supplied as specified.

Table of Contents	Page #
<b>Hinges, Spring Hinges, Misc.</b>	
ANSI Hinge Standard Numbers	2
Bommer	3
Hager Hinge	4
Lawrence Brother	5
Stanley Hardware	6
United States Government Numbers	7
<b>Aluminum Continuous Hinges</b>	
Markar	8-9
Roton	8-9
Select	8-9
Stanley	8-9
<b>Stainless Continuous Hinges</b>	
Gallery	7
Markar	7
Stanley	7
<b>Finish Symbols</b>	
United States Government Numbers	10
Lawrence Brothers	10
Stanley Hardware	10
Hager Hinge	10

## ANSI Hinge Standard and McKinney Equivalent Numbers

ANSI #	McKinney #
A1612	TA3383
A1711	TA3329
A1882	DS-6
A2111	T4A3386
	TA386
	TA3350
A2112	TA2314
	TA314
	TA3331
A2133	T2314
A2142	TA2314 - Type II
A2152	TA2314 - Type I
A2211	T4A3384
	TA384
A2212	TA3374
	TA374
A2311	T4A3381
	TA381
A2411	T4A3382
	TA382
A2412	TA372
	TA2372
A2551	TA392
	TA393
	TA5392
A2742	EP-5J
A5111	T4A3386 (32-32D)
	TA386 (32-32D)
	TA3350 (32-32D)
A5112	TA2314 (32-32D)
	TA314 (32-32D)
	TA3331 (32-32D)
A5133	T2314 (32-32D)
A5211	T4A3384 (32-32D)
	TA384 (32-32D)

ANSI #	McKinney #
A5212	TA3374 (32-32D)
	TA374 (32-32D)
A5311	T4A3381 (32-32D)
	TA381 (32-32D)
A5411	T4A3382 (32-32D)
	TA382 (32-32D)
A5412	TA2372 (32D)
	TA372 (32D)
A5551	TA392
	TA393
A8111	T4A3786
	TA786
	TA3750
A8112	TA2714
	TA714
	TA2731
A8121	T4A3795
	TA795
A8122	TA2895
A8133	T2714
	T714
	T2731
A8142	TA2714 Type II
A8152	TA2714 Type I
A8211	T4A3784
	TA784
A8212	TA2774
	TA774
A8221	T4A3789
	TA789
A8233	T2774
A8311	T4A3781

ANSI #	McKinney #
A8311	TA781
A8312	TA2771
	TA771
A8321	TA797
A8411	T4A3782
	TA782
A8412	TA2772
	TA772
A8421	T4A3796
	TA796
A8433	T2772
A8551	TA792
	TA793
A8551	TA5792
	TA5792
K61091	CS1
K63201	4007
K81041	3", 4", 5", 6" 1001
	8" 9001
K81071	1502
K81071F	1502
K81081	1572
K8108F	1572
K81111	8" 19001
K81131	HS1001
K81151	6 X 4½ 1001
K82011	8007
K82021	H8007
K82183	3001
K87441	9" 451
	11" 452
	13" 453

**Note:** NFPA requires that all hinges or pivots, except spring hinges, installed on labeled doors be of the bearing type. Acceptable hinge material - steel or stainless steel. (Spring hinges available in steel only.)

Ball Bearings available upon request.



## Bommer Industries Inc. Numbers and McKinney Equivalent Numbers

Bommer #	McKinney #
MB-1	MG-16
2410	451
2430	453
3023	HS1001
3024	19001
3029	1001
3029 (8")	9001
4310	1502
4313	1572
5000	T2714
5001	T2314
5002	T2314-32D
BB5000	TA2714
BB5001	TA2314
BB5002	TA2314-32D
BB5004	T4A3786
BB5005	T4A3386
BB5006	T4A3386-32D
BB5010	TA2798
BB5011	TA2398
BB5012	TA2398-32D
BB5014	T4A3786
BB5015	T4A3386
BB5016	T4A3386-32D
BB5020	TA2895
BB5021	TA2395
BB5022	TA2395-32D
BB5024	TA3795
BB5026	T4A3395-32D
BB5034	TA792
BB5040	RBMTA2714
BB5041	RBMTA2314

Bommer #	McKinney #
BB5042	RBMTA2314-32D
BB5044	RBT4A3786
BB5045	RBT4A3386
BB5046	RBT4A3386-32D
BB5050	TA2714 Slip-in Type 2
BB5051	TA2314 Slip-in Type 2
BB5052	TA2314-32D Slip-in Type 2
BB5060	TA2714 CC
BB5061	TA2314 CC
BB5062	TA2314-32D CC
BB5064	T4A3786 CC
BB5065	T4A3386 CC
BB5066	T4A3386-32D CC
5100	T2774
BB5101	TA3374
BB5102	TA3374-32D
BB5104	T4A3784
BB5105	T4A3384
BB5106	T4A3384-32D
BB5124	T4A3789
BB5200	TA2771
5300	T2772
BB5300	TA2772
BB5301	TA2372
BB5302	TA2372-32D
BB5304	T4A3782
BB5305	T4A3382

Bommer #	McKinney #
BB5306	T4A3382-32D
BB5324	T4A3796
7112	4007RB
7112	4007MRB
7512	8007
H7512	H8007
7811	3001
7812	J3001
8000	T714
8001	T314
8002	T314-32D
BB8000	TA714
BB8001	TA314
BB8002	TA314-32D
BB8004	TA786
BB8005	TA386
BB8006	TA386-32D
BB8024	TA795
BB8034	TA792
BB8036	TA392
BB8040	RBMTA714
BB8044	RBMTA786
BB8060	TA714 CC
BB8064	TA786 CC
BB8100	TA774
BB8101	TA374
BB8102	TA374-32D
BB8104	TA784
BB8105	TA384
BB8106	TA384-32D
BB8124	TA789
BB8200	TA771
BB8201	TA371
BB8202	TA371-32D
BB8204	TA781
BB8205	TA381
BB8206	TA381-32D
BB8224	TA797
BB8300	TA772
BB8301	TA372
BB8302	TA372-32D
BB8304	TA782
BB8305	TA382
BB8306	TA382-32D
BB8324	TA796

## Options

Feature	Bommer	McKinney
Non-Removable Pin	N	NRP (Suffix)
Security Stud	S	SSF (Suffix)
Non-Removable Pin with Security Stud	A	NRP x SSF (Suffix)
Maximum Security Stud	M	PSF (Suffix)
Hospital Tip	H	HT (Prefix)
Decorative Ball Tip	Decorative Ball Tip	BT (Suffix)
Decorative Steeple Tip	Decorative Steeple Tip	ST (Suffix)
Stainless Steel Pins	J	SSP (Suffix)

## Hager Catalog Numbers and McKinney Equivalent Numbers

Hager #	McKinney #
417	BP-10
418	BP-11
451	DLS-8
452	DLS-8
453	DLS-8
454	DLS-8
610	DS-6
700	T714
AB700	TA714
AB701	TA774
AB702	TA771
AB703	TA772
AB750	TA786
AB751	TA784
AB752	TA781
AB753	TA782
AB7501	TA795
AB7501	TA5795
AB7511	TA789
AB7512	TA5789
AB7523	TA797
AB7534	TA796
AB7505	TA793
AB7506	TA792
AB7507	TA5792
AB800	TA314
AB801	TA374

Hager #	McKinney #
AB7506	TA792
AB7507	TA5792
AB800	TA314
AB801	TA374
AB802	TA371
AB803	TA372
AB850	TA386
AB851	TA384
AB852	TA381
AB853	TA382
AB858	TA393
920	T2731
AB920	TA2731
AB8505	TA393
AB8506	TA392
AB8507	TA5392
BB1109	TA3374
1129	T2774
BB1129	TA2774
BB1138	T4A3784
BB1163	T4A3782
BB1168	T4A3786
1173	T2772
BB1173	TA2772
BB1174	TA3713
1191	T2314
BB1191	TA2314

Hager #	McKinney #
BB1193	T2314
BB1199	TA2314
1250	TA3313
1253	T4A3386
BB1264	1502
BB1265	1572
BB1260	T4A3789
BB1261	T4A4789
BB1262	TA2895
BB1263	TA4895
BB1265	T4A3795
BB1270	T4A4795
BB1277	T4A4789
BB1278	T4A3796
RC1279	TA 2714 Slip-in
1279	TA 2714 Slip-in
BB1279	RC2714
WTBB 1279	T2714
BB1577	TA2714
BB1578	TA2798
1741	TA 2314 Slip-in
RC1741	TA 2314 Slip-in
RC1841	T4A3381
BB2098	T4A3384
BB2109	1458
BB2108	T4A3384
BB2110	T4A3381
BB2112	T4A3385
BB2113	TA2371
BB2169	TA2372
BB2171	T4A3382
AB7508	T4A3781
AB8508	TA2771
EC1100	MP79
ECBB1100	MPB79
ECBB1101 32D	MPB91.32D
ECBB1102	MPB68
EC1105	MPS60

### Options

Feature	Hager	McKinney
Raised Barrel	RBB	RB (Prefix)
Raised Barrel	RBS	RB (Prefix)
Ball Bearing	BB	TB (Prefix)
Oilite Bearing	OB	TA (Prefix)
Stainless Steel Pin	SP	SSP (Suffix)
Set Screw in Barrel	NRP	NRP (Suffix)
Safety Stud	SH	SSF (Suffix)
Hospital Tip	HT	HT (Prefix)
Steeple Tip	ST	ST (Suffix)
Ball Tip	BT	BT (Suffix)
Round Corner	RC	RC (Prefix)
"Luma Sheen"	LS	AP (Finish)
Black	L1	D-4 (Finish)
Dark Bronze	L2	D-3 (Finish)

### Suffix for Electric Hinges

ETM	CCxMM
ETW	CC
EMN	MM

## Lawrence Brothers Numbers and McKinney Equivalent Numbers

Lawrence #	McKinney #
CHP-1	EP-5J
TPU-2 1/2	TA792
TPU-2-1/2-A	TA392
SC2500	1400
SC2514	1414
SC2558	1458
BB4101	TCA2714
BB4101-32D	TCA2314-32D
BB4101-A	TCA2314
BB4101WT	TCA2798
RB-BB4101	RBM-TA2714
BB4105	TA2714 Slip-in
BB4105-A	TA2314 Slip-in
4168	1502
4181	T2714
RC4181	RC2714
4181-A	T2314
BB4301	TA2772
4381	T2772
BB4601	TA2774
4681	T2774
BB4701	TA2771
BB4901	TCA2714
BB4901-32D	TCA2314-32D
BB4901-A	TCA2314
4981	T2714
4981-32D	T2314-32D

Lawrence #	McKinney #
4981A	T2314
BB4951	TCA3786
BB4951-32D	TCA3386-32D
BB4951A	TCA3386
BB5151	T4A3786
BB5151-32D	T4A3386-32D
RB-BB-5151	RBM-T4A3786
BB5151-A	T4A3386
BB5152	T4A3795
BB5351	T4A3782
BB5351-32D	T4A3382-32D
BB5351-A	T4A3382
BB5352	T4A3796
BB5601	TA3774
BB5601-A	TA3374
BB5601-32D	TA3374-32D
BB5651	T4A3784
BB5651-A	T4A3384
BB5652	T4A3789
BB5751	T4A3781
BB5751-32D	T4A3381-32D
BB5751-A	T4A3381
BB6154A	TA3329
7106	CSS9

Lawrence #	McKinney #
BB9101	TA714
BB9101-A	TA314
BB9151	TA786
BB9151-32D	TA786-32D
BB9151-A	TA386
BB9152	TA795
9181	T714
BB9301	TA772
BB9301-A	TA372
BB9351	TA782
BB9351-A	TA382
BB9352	TA796
BB9601	TA774
BB9601-A	TA374
BB9651	TA784
BB9651-A	TA384
BB9652	TA789
BB9701	TA771
BB9701-A	TA371
BB9751	TA781
BB9751-A	TA381
BB9752	TA797

### Suffix for Electric Hinges

CEC	CC
-----	----

Ball Bearings available upon request.

## Stanley Catalog Numbers and McKinney Equivalent Numbers

Stanley #	McKinney #
ES-1	DS-6
DLS-1	DLS-8
JB-1	MG-16
BP-1	BP-10/BP-11
DAP-3	EP-5J
BB93	TA3329
BB95	TA3383
BB98	T4A3384
FBB108	TA3374
FBB109	T4A3381
FBB112	TA2372
FBB113	T4A3382
FBB138	T4A3784
BB143	TA3329*
FBB163	T4A3782
FBB167	TA2774
F167	T2774
FBB168	T4A3786 / MPB68
FBB169	T4A3781
FBB171	TA2771
F173	T2772
FBB173	TA2772
F179	T2714 / MP79
FBB179	TA2714 / MPB79
FBB179WT	TA2798
FBB179 Slip-in	TA2714 Slip-in
F191	T2314
FBB191	TA2314 / MPB91
FBB191 Slip-in	TA2314 Slip-in

Stanley #	McKinney #
FBB199	T4A3386 / MPB99
FBB211*	TA793
FBB212*	TA792
FBB213*	TA5792
FBB221*	TA393
FBB222*	TA392
FBB223*	TA5392
FBB248	TA2895
FBB258	TA4895
FBB264	T4A3789
FBB268	T4A3795
FBB269	T4A3796
FBB274	T4A4789
FBB278	T4A4795
BB601-8"	TB786-8"
0700	T2731
CB700	TA2731
741	1400
RD741	1414
RD758	1458
1900	T714
CB1900	TA714
CB1901	TA786
CB1907*	TA793
CB1908*	TA792
CB1909*	TA5792
CB1910	TA772
CB1911	TA782

Stanley #	McKinney #
CB1920	TA774
CB1921	TA784
CB1930	TA771
CB1931	TA781
CB1941	TA789
CB1942	TA5789
CB1948	TA795
CB1949	TA5795
CB1951	TA797
CB1959	TA796
CB1960	TA314
CB1961	TA386
CB1967*	TA393
CB1968*	TA392
CB1969	TA5392
CB1970	TA372
CB1971	TA382
CB1980	TA374
CB1981	TA384
CB1990	TA371
CB1991	TA381
2060	1502 / MPS60
2063	1572

### Suffix for Electric Hinges

CE	CC
CS	MM
CExCS	CCxCS

**Note:** \*Available only in Bronze.

### Options

Feature	Stanley	McKinney
Solid Brass Ball Tips	Solid Brass Ball Tips	BT (Suffix)
Steeple Tips	Steeple Tips	ST (Suffix)
Hospital Tip	HT	HT (Prefix)
Shear Resisting Stud	SRS	PSF (Suffix)
Non Removable Pin	NRP	NRP (Suffix)
Security Stud	Sec. St.	SSF (Suffix)
No Hole Prefix	NH	BLANK
Raised Barrel	RB	RB (Prefix)
Slip-in	Slip-in	S1H Type 1 S1H Type 2 (Prefix)

## United States Government Numbers and McKinney Equivalent Numbers

U.S. #	McKinney #
F1820	451
F1840	452
F1840	453
2102	A3313
T2102	TA3313
TH2102	HTA3313
2105	A2714
T2105	TA2714
TH2105	HTA2714
2106	A2314
T2106	TA2314
2107	A2714
2107	A2798
T2107	TA2714
T2107	TA2798
TH2107	HTA2714
2112	4A3386
T2112	T4A3386
TH2112	HT4A3386
2115	4A3786
T2115	T4A3786
TH2115	HT4A3786
2117	4A3786P
T2117	T4A3786P

U.S. #	McKinney #
TH2117	HT4A3786P
2126	2314
2127	2714
T2127	T2714
2127H	27142CBR
2135	A2772
T2135	TA2772
TH2135	HTA2772P
T2136	T4A3382
TH2136	HT4A3382
T2137	T4A3782
TH2137	HT4A3782
T2139	T4A3782P
TH2139	HT4A3782P
T2142	TA3374
TH2142	HTA3374
T2143	TA3774
TH2143	HTA3774
T2145	TA2774
TH2145	HTA2774P
T2146	T4A3384
TH2146	HT4A3384
T2147	T4A3784
TH2147	HT4A3784

U.S. #	McKinney #
T2149	T4A3784P
TH2149	HT4A3784P
T2155	TA2771
TH2155	HTA2771P
T2156	T4A3381
TH2156	HT4A3381
T2157	T4A3781
TH2157	HT4A3781
T2159	T4A3781P
TH2159	HT4A3781P
T2160	T4A3789
T2161	T4A3789P
2331A	1001
2332A	9001

## Gallery, Markar, Stanley and McKinney Equivalent Numbers

McKinney #	
Steel	Stainless
MCK-FM3700	MCK-FM300
MCK-HG3705	MCK-HG305
MCK-HG3715	MCK-HG315
MCK-HM3704	MCK-HM304
MCK-HG3706	MCK-HG306
MCK-HG3711	MCK-HG311
MCK-FS3702	MCK-FS302

Gallery #	
Steel	Stainless
CH-941	951
CH-942	952
CH-943	953
CH-944	954
CH-945	955
CH-946	956
CH-947	957

Markar #	
Steel	Stainless
FM200	FM300
	HG305
	HG315
HM204	HS303
	HG306
SFS/SC-209	HG311
FS202	FS3-2

Stanley #	
Steel	Stainless
641	651
	652
643	653
644	654
645	655
646	656
647	657

Roton, Stanley, Markar, Select and Pemko Product Numbers and McKinney Equivalent Numbers

	McKinney #	Roton #	Stanley #	Markar #	Select #	Pemko #	
Flush Mount Concealed with Stops	Standard Weight	MCK-22HD 83" Clear	780-041	665		CFS 83	
		MCK-22HD 83" Bronze	780-041	665		DFS 83	
		MCK-22HD 85" Clear	780-041	665		CFS 85	
		MCK-22HD 85" Bronze	780-041	665		DFS 85	
		MCK-22HD 95" Clear	780-041	665		CFS 95	
		MCK-22HD 95" Bronze	780-041	665		DFS 95	
		MCK-22HD 120" Clear	780-041	665		CFS 120	
		MCK-22HD 120" Bronze	780-041	665		DFS 120	
	Heavy Duty	MCK-22HD 83" Clear	780-041HD	665HD			CFS 83FD
		MCK-22HD 85" Bronze	780-041HD	665HD			DFS 83FD
		MCK-22HD 85" Clear	780-041HD	665HD			CFS 85FD
		MCK-22HD 85" Bronze	780-041HD	665HD			DFS 85FD
		MCK-22HD 95" Clear	780-041HD	665HD			CFS 95FD
		MCK-22HD 95" Bronze	780-041HD	665HD			DFS 95FD
		MCK-22HD 120" Clear	780-041HD	665HD			CFS 120FD
		MCK-22HD 120" Bronze	780-041HD	665HD			DFS 120FD
	Standard Weight	MCK-12HD 83" Clear	780-112	661		SL-11CL	CFM 83SLF
		MCK-12HD 83" Bronze	780-112	661		SL-11BR	DFM 83SLF
		MCK-12HD 85" Clear	780-112	661		SL-11CL	CFM 85SLF
		MCK-12HD 85" Bronze	780-112	661		SL-11BR	DFM 85SLF
		MCK-12HD 95" Clear	780-112	661		SL-11CL	CFM 95SLF
		MCK-12HD 95" Bronze	780-112	661		SL-11BR	DFM 95SLF
		MCK-12HD 120" Clear	780-112	661		SL-11CL	CFM 120SLF
		MCK-12HD 120" Bronze	780-112	661		SL-11BR	DFM 120SLF
	Heavy Duty	MCK-12HD 83" Clear	780-112HD	661HD	FM-2000	SL-11HDCL	CFM 83SLFHD
		MCK-12HD 83" Bronze	780-112HD	661HD	FM-2000	SL-11HDBR	DFM 83SLFHD
		MCK-12HD 85" Clear	780-112HD	661HD		SL-11HDCL	CFM 85SLFHD
		MCK-12HD 85" Bronze	780-112HD	661HD		SL-11HDBR	DFM 85SLFHD
MCK-12HD 95" Clear		780-112HD	661HD	FM-2000	SL-11HDCL	CFM 95SLFHD	
MCK-12HD 95" Bronze		780-112HD	661HD	FM-2000	SL-11HDBR	DFM 95SLFHD	
MCK-12HD 120" Clear		780-112HD	661HD	FM-2000	SL-11HDCL	CFM120SLFHD	
MCK-12HD 120" Bronze		780-112HD	661HD	FM-2000	SL-11HDBR	DFM120SLFHD	
1/4" Inset Mount with Door Leaf Lip	Standard Weight	MCK-14HD 83" Clear	780-111			CFM 83SLI	
		MCK-14HD 83" Bronze	780-111			DFM 83SLI	
		MCK-14HD 85" Clear	780-111			CFM 85SLI	
		MCK-14HD 85" Bronze	780-111			DFM 85SLI	
		MCK-14HD 95" Clear	780-111			CFM 95SLI	
		MCK-14HD 95" Bronze	780-111			DFM 95SLI	
		MCK-14HD 120" Clear	780-111			CFM 120SLI	
		MCK-14HD 120" Bronze	780-111			DFM 120SLI	
	Heavy Duty	MCK-14HD 79" Clear	780-111HD			SL-18HD	CFM 79SLIHD
		MCK-14HD 79" Bronze	780-111HD			SL-18HD	DFM 79SLIHD
		MCK-14HD 83" Clear	780-111HD			SL-18HD	CFM 83SLIHD
		MCK-14HD 83" Bronze	780-111HD			SL-18HD	DFM 83SLIHD
		MCK-14HD 85" Clear	780-111HD			SL-18HD	CFM 85SLIHD
		MCK-14HD 85" Bronze	780-111HD			SL-18HD	DFM 85SLIHD
		MCK-14HD 95" Clear	780-111HD			SL-18HD	CFM 95SLIHD
		MCK-14HD 95" Bronze	780-111HD			SL-18HD	DFM 95SLIHD
		MCK-14HD 120" Clear	780-111HD			SL-18HD	CFM 120SLIHD
		MCK-14HD 120" Bronze	780-111HD			SL-18HD	DFM 120SLIHD

## Roton, Stanley, Markar, Select and Pemko Product Numbers and McKinney Equivalent Numbers

	McKinney #	Roton #	Stanley #	Markar #	Select #	Pemko #	
1/4" Inset Mount with Door Leaf Lip	Standard Weight	MCK-58HD 83" Clear	780-157	664		SL57A	CFS83CP
		MCK-58HD 83" Bronze	780-157	664		SL57D	DFS83CP
		MCK-58HD 85" Clear	780-157	664		SL57A	CFS85CP
		MCK-58HD 85" Bronze	780-157	664		SL57D	DFS85CP
		MCK-58HD 95" Clear	780-157	664		SL57A	CFS95CP
		MCK-58HD 95" Bronze	780-157	664		SL57D	DFS95CP
	Heavy Weight	MCK-58HD 83" Clear	780-157HD	664HD	FS-2002	SL57A-HD	CFS83CP HD
		MCK-58HD 83" Bronze	780-157HD	664HD	FS-2002	SL57D-HD	DFS83CP HD
		MCK-58HD 85" Clear	780-157HD	664HD	FS-2002	SL57A-HD	CFS85CP HD
		MCK-58HD 85" Bronze	780-157HD	664HD	FS-2002	SL57D-HD	DFS85CP HD
		MCK-58HD 95" Clear	780-157HD	664HD	FS-2002	SL57A-HD	CFS95CP HD
		MCK-58HD 95" Bronze	780-157HD	664HD	FS-2002	SL57D-HD	DFS95CP HD
	Standard Weight	MCK-25HD 83" Clear	780-224	662		SL-24CL	CFM 83
		MCK-25HD 83" Bronze	780-224	662		SL-24BR	DFM 83
		MCK-25HD 85" Clear	780-224	662		SL-24CL	CFM 85
		MCK-25HD 85" Bronze	780-224	662		SL-24BR	DFM 85
		MCK-25HD 95" Clear	780-224	662		SL-24CL	CFM 95
		MCK-25HD 95" Bronze	780-224	662		SL-24BR	DFM 95
		MCK-25HD 120" Clear	780-224	662		SL-24CL	CFM 120
		MCK-25HD 120" Bronze	780-224	662		SL-24BR	DFM 120
	Heavy Duty	MCK-25HD 83" Clear	780-224HD	662HD	FM-2011	SL-24HDCL	CFM 83HD
		MCK-25HD 83" Bronze	780-224HD	662HD	FM-2011	SL-24HDBR	DFM 83HD
		MCK-25HD 85" Clear	780-224HD	662HD		SL-24HDCL	CFM 85HD
		MCK-25HD 85" Bronze	780-224HD	662HD		SL-24HDBR	DFM 85HD
MCK-25HD 95" Clear		780-224HD	662HD	FM-2011	SL-24HDCL	CFM 95HD	
MCK-25HD 95" Bronze		780-224HD	662HD	FM-2011	SL-24HDBR	DFM 95HD	
MCK-25HD 120" Clear		780-224HD	662HD	FM-2011	SL-24HDCL	CFM 120HD	
MCK-25HD 120" Bronze		780-224HD	662HD	FM-2001	SL-24HDBR	DFM 120HD	
Full Surface	Standard Weight	MCK-22HD 83" Clear	780-210	665HD		SL-21CL	CFS83
		MCK-22HD 83" Bronze	780-210	665HD		SL-21BR	DFS83
		MCK-22HD 85" Clear	780-210	665HD		SL-21CL	CFS85
		MCK-22HD 85" Bronze	780-210	665HD		SL-21BR	DFS85
		MCK-22HD 95" Clear	780-210	665HD		SL-21CL	CFS95
		MCK-22HD 95" Bronze	780-210	665HD		SL-21BR	DFS95
		MCK-22HD 120" Clear	780-210	665HD		SL-21CL	CFS120
		MCK-22HD 120" Bronze	780-210	665HD		SL-21BR	DFS120
	Heavy Duty	MCK-22HD 83" Clear	780-210HD	665HD	FS-2002	SL-21HDCL	CFS83FD
		MCK-22HD 83" Bronze	780-210HD	665HD	FS-2002	SL-21HDBR	DFS83FD
		MCK-22HD 85" Clear	780-210HD	665HD		SL-21HDCL	CFS85FD
		MCK-22HD 85" Bronze	780-210HD	665HD		SL-21HDBR	DFS85FD
		MCK-22HD 95" Clear	780-210HD	665HD	FS-2002	SL-21HDCL	CFS95FD
		MCK-22HD 95" Bronze	780-210HD	665HD	FS-2002	SL-21HDBR	DFS95FD
		MCK-22HD 120" Clear	780-210HD	665HD	FS-2002	SL-21HDCL	CFS120FD
		MCK-22HD 120" Bronze	780-210HD	665HD	FS-2002	SL-21HDBR	DFS120FD
Half Surface	Standard Weight	MCK-54HD 83" Clear	780-053	663		SL-53CL	CHS83
		MCK-54HD 83" Bronze	780-053	663		SL-53BR	DHS83
		MCK-54HD 85" Clear	780-053	663		SL-53CL	CHS85
		MCK-54HD 85" Bronze	780-053	663		SL-53BR	DHS85
		MCK-54HD 95" Clear	780-053	663		SL-53CL	CHS95
		MCK-54HD 95" Bronze	780-053	663		SL-53BR	DHS95
		MCK-54HD 120" Clear	780-053	663		SL-53CL	CHS120
		MCK-54HD 120" Bronze	780-053	663		SL-53BR	DHS120
	Heavy Duty	MCK-54HD 83" Clear	780-053HD	663HD	HS2003	SL-53HDCL	CHS83HD
		MCK-54HD 83" Bronze	780-053HD	663HD	HS2003	SL-53HDBR	DHS83HD
		MCK-54HD 85" Clear	780-053HD	663HD		SL-53HDCL	CHS85HD
		MCK-54HD 85" Bronze	780-053HD	663HD		SL-53HDBR	DHS85HD
		MCK-54HD 95" Clear	780-053HD	663HD	HS2003	SL-53HDCL	CHS95HD
		MCK-54HD 95" Bronze	780-053HD	663HD	HS2003	SL-53HDBR	DHS95HD
		MCK-54HD 120" Clear	780-053HD	663HD	HS2003	SL-53HDCL	CHS120HD
		MCK-54HD 120" Bronze	780-053HD	663HD	HS2003	SL-53HDBR	DHS120HD

## McKinney Hinge Catalog Comparative Finish Symbols

McKinney	U.S.	Description	Lawrence	Stanley	Hager	Bommer	Steel	Brass	Bronze	Stainless
P	USP	Primed for Painting	P	USP	USP	USP	600			
D-4	US1D	Dull Black		US1D	US1D	US1B	601			
2C	US2C	Zinc Plated, Commercial		US2C	US2C	US2G	602			
3	US3	Bright Brass	3	US3	US3	US3	632	605		
4	US4	Dull Brass	DB	US4	US4	US4	633	606		
5	US5	Dull Brass, Oxidized		US5	US5	US5	638	609		
7	US7	Brass, Nickel Oxidized, Bright Relieved			US7	US7	636	610		
9	US9	Bright Bronze		US9	US10	US9	637		611	
10	US10	Dull Bronze	10	US10	US10A	US10	639		612	
10A	US10A	Antique Bronze, Lacquered	10A	US10A	US10B	US10A				
10B	US10B	Antique Bronze, Oiled		US10B		US10B	640		613	
11	US11	Dull Bronze, Oxidized		US11		US11	643		616	
14	US14	Bright Nickel Plated		US14	US14	US14	645	618	618	
15	US15	Dull Nickel Plated		US15	US15	US15	646	619	619	
15A	US15A	Nickel Oxidized Relieved			US15A	US15A	647	620	620	
17A	US17A	Half Polished Iron, Smooth		US17A	US17A	US17A	648	621	621	
20	US20	Statuary Bronze, Light		US20	US20		649		623	
20A	US20A	Statuary Bronze, Dark		US20A	US20A		650		624	
26	US26	Bright Chromium	26	US26	US26	US26	651	625	625	
26D	US26D	Dull Chromium	26D	US26D	US26D	US26D	652	626	626	
32	US32	Polished Stainless Steel		US32	US32	US32				629
32D	US32D	Dull Stainless Steel	32D	US32D	US32D	US32D				630
3C		Bright Brass with Clear Powder Coat								
4C		Dull Brass with Clear Powder Coat								
15C		Dull Nickel with Clear Powder Coat								
AP		Aluminum Lacquer		LA	LS	FL2				
D-2		CO-Laq, Medium		DM	L3					
D-3		CO-Laq, Dark		DD	L2	FE3				
D-4		CO-Laq, Black			L1					
GT		Grey Tone								
PB		Powdered Beige								
P-G		Powdered Gold								
P-W		Powdered White		DW	13P					

Every effort is made by McKinney to furnish finishes which do comply with the U.S. Standard, however, we cannot guarantee that our finish will match other manufacturers finish. Where a special finish or a matched finish is required, a sample must be submitted with the order.



**Welcome to the McKinney QuickShip Program.** Over 400 items are in stock and ready to ship in 3-days or less. In addition McKinney has stock in ASSA ABLOY Group warehouses around the country. So if you're in a hurry, call and let us expedite your shipment

**Door Springs**

SKU	Catalog Number	Size	Finishes
155371	451	9	D4
155381	452	11	D4
155401	453	13	D4

**Standard Weight Spring Hinges**

SKU	Catalog Number	Size	Finishes
155905	1502	4 x 4	10B
155907	1502	4 x 4	26D
156007	1502	4½ x 4	15
156008	1502	4½ x 4	26D
156009	1502	4½ x 4	26
156017	1502	4½ x 4½	P
156020	1502	4½ x 4½	10
156021	1502	4½ x 4½	10B
156022	1502	4½ x 4½	15
156023	1502	4½ x 4½	26D
156024	1502	4½ x 4½	26
156025	1502	4½ x 4½	3
156047	1522	4½ x 4½	26D
156056	1552	4½ x 4	32D
156080	1552	4½ x 4½	32D

**Swing Clear Heavy Weight 5k Hinges**

SKU	Catalog Number	Size	Finishes
55195	T4A3395	4½	32D
55196	T4A3395	5	32D
73451	T4A4795	4½	26D
73461	T4A3795	4½	4
73463	T4A3795	4½	26D
73474	T4A3795	4½	3
73481	T4A3795	4½	26
73482	T4A3795	5	26D
73522	T4A3796	5	26D
73590	T4A4795	5	26D

**Standard Weight 5K Hinges**

SKU	Catalog Number	Size	Options	Finishes
58845	T2314	3½ x 3½		32D
58964	T2314	4½ x 4½		32D
58965	T2314	4½ x 4½	NRP	32D
58972	T2314	4½ x 4½		10B
59505	RCTA2314	4½ x 4	NRP	32D
59646	T2314	4 x 4		10B
59661	T2314	4 x 4		32D
59678	TA2314	4 x 4		32D
59680	TA2314	4 x 4		10B
59752	TA2314	4½ x 4		32D
59755	TA2314	4½ x 4	NRP	26D
59756	TA2314	4½ x 4	NRP	32D
59795	T2314	4½ x 4½		26
59808	HTA2314	4½ x 4½		32
59815	TA2314	4½ x 4½	BT	10B
59821	TA2314	4½ x 4½	NRP	P
59822	TA2314	4½ x 4½		4
59823	TA2314	4½ x 4½		32
59826	TA2314	4½ x 4½		3
59832	TA2314	4½ x 4½		26D
59835	TA2314	4½ x 4½	NRP	10
59837	TA2314	4½ x 4½	NRP	26D
59838	TA2314	4½ x 4½		32D
59839	TA2314	4½ x 4½		10B
59840	TA2314	4½ x 4½	NRP	32D
59844	TA2314	4½ x 4½	NRP	3
59846	TA2314	4½ x 4½	NRP	4
59873	TB2314	4½ x 4½	NRP	26D
59904	TA2314	5 x 4½		32D
59906	TA2314	5 x 4½		10B
59910	TA2314	5 x 4½	NRP	32D
59966	TA2314	5 x 5		10B
59986	TA2314	5 x 5	NRP	32D
76001	TA2314	4½ x 4½	NRP	10B
55314	T2714	3½ x 3½		15
55315	T2714	3½ x 3½		P
55317	T2714	3½ x 3½		3

## Standard Weight 5K Hinges continued

SKU	Catalog Number	Size	Options	Finishes
55319	T2714	3½ × 3½		26D
55321	T2714	3½ × 3½		10
55327	T2714	3½ × 3½		26
55333	T2714	3½ × 3½		10B
55337	T2714	3½ × 3½		4
55348	T2714	3½ × 3½	BT	10B
55380	T2714	3½ × 3½		D4
55382	T2714	4 × 3½		26D
55383	T2714	4 × 3½		26
55385	TA2714	3½ × 3½		P
55386	T2714	4 × 3½		3
55389	TA2714	3½ × 3½		10B
55391	TA2714	3½ × 3½		3
55393	TA2714	3½ × 3½		26D
55430	RCT2714	3½ × 3½		10B
55438	RCT2714	3½ × 3½		26D
55443	RCT2714	3½ × 3½		D4
55485	T2714	4 × 4		P
55487	T2714	4 × 4		4
55491	T2714	4 × 4		3
55496	T2714	4 × 4		10B
55497	T2714	4 × 4		15
55499	T2714	4 × 4		26
55501	T2714	4 × 4		26D
55509	T2714	4 × 4		D4
55521	RCT2714	4 × 4		26D
55525	T2714 BT	4 × 4		10B
55555	TA2714	4 × 4		P
55561	TA2714	4 × 4		3
55563	TA2714	4 × 4		10
55571	TA2714	4 × 4		26D
55577	TA2714	4 × 4		10B
55616	TA2714	4½ × 4		15
55632	RCTA2714	4 × 4		26D
55635	T2714	4½ × 4		P

## Standard Weight 5K Hinges continued

SKU	Catalog Number	Size	Options	Finishes
55635	T2714	4½ × 4		P
55639	T2714	4½ × 4		26D
55646	T2714	4½ × 4		3
55648	T2714	4½ × 4		4
55652	T2714	4½ × 4		D3
55655	T2714	4½ × 4		26
55656	T2714	4½ × 4		15
55669	TA2714	4½ × 4	CC4	26D
55674	TA2714	4½ × 4		4
55675	TA2714	4½ × 4		P
55679	TA2714	4½ × 4		26D
55681	TA2714	4½ × 4		10
55683	TA2714	4½ × 4		3
55688	TA2714	4½ × 4		26
55690	TA2714	4½ × 4	NRP	26D
55691	TA2714	4½ × 4		10B
55742	T2714	4½ × 4½		10B
55745	T2714	4½ × 4½		P
55747	T2714	4½ × 4½	NRP	P
55751	T2714	4½ × 4½		15
55753	T2714	4½ × 4½		26
55755	T2714	4½ × 4½		26D
55762	T2714	4½ × 4½		10A
55767	T2714	4½ × 4½		4
55771	T2714	4½ × 4½		3
55774	T2714	4½ × 4½		10
55778	T2714	4½ × 4½	NRP	26D
55783	T2714	4½ × 4½		D4
55798	RCTA2714	4½ × 4	NRP	26D
55802	RCTA2714	4½ × 4	NRP	D4
55810	TA2714	4½ × 4½		D4
55820	TA2714	4½ × 4½		P
55822	TA2714	4½ × 4½	NRP	P
55834	TA2714	4½ × 4½	NRP	4
55842	TA2714	4½ × 4½		4
55846	TA2714	4½ × 4½		3
55847	TA2714	4½ × 4½		10A
55853	TA2714	4½ × 4½	NRP	3

Standard Weight 5K Hinges continued

SKU	Catalog Number	Size	Options	Finishes
55854	TA2714	4½ × 4½		15
55856	TA2714	4½ × 4½		26
55858	TA2714	4½ × 4½		26D
55859	HTA2714	4½ × 4½		26D
55860	TA2714	4½ × 4½	NRP	26D
55862	TA2714	4½ × 4½		10B
55870	TA2714	4½ × 4½	NRP	26
55875	TA2714	4½ × 4½	NRP	10B
55885	TA2714	4½ × 4½	CC4	26D
55904	TA2714	4½ × 4½	CC8	26D
55940	TB2714	4½ × 4½		26D
55942	TB2714	4½ × 4½	NRP	26D
55962	TA2714	5 × 4		26D
55972	T2714	5 × 4½		26D
56014	TA2714	5 × 4½		10
56020	TA2714	5 × 4½		26D
56021	TA2714	5 × 4½		15
56026	TA2714	5 × 4½		10B
56030	TA2714	5 × 4½	NRP	26D
56035	HTA2714	5 × 4½		26D
56106	TA2714	4½ × 4½	BT	10B
56110	TA2714	4½ × 4½	STP	10B
56149	TA2714	5 × 5		26D
56155	TA2714	5 × 5		26D
67206	TCA2714	4½ × 4		26D
67226	TCA2714	4½ × 4½		26D
69829	RCT2714	4 × 4		10B
71120	TA2714	4½ × 4½	CC6	26D
71469	TA2714	4½ × 4½	CC8	26D
73192	TA2714	4½ × 4½	QC4	26D
73254	TA2714	4½ × 4½	QC6	26D
73312	TA2714	4½ × 4½	QC8	26D
73370	TA2714	4½ × 4½	QC12	26D

Heavy Weight 3K Hinges

SKU	Catalog Number	Size	Options	Finishes
69396	TA386	4½ × 4	NRP	32D
69413	TA386	4½ × 4½		32D
69415	TA386	4½ × 4½	NRP	32D
74956	TA386	5 × 4½	NRP	32D
56400	TA786	4½ × 4		26D
69267	TA786	4½ × 4½		26D
69271	TA786	4½ × 4½		10
69272	TA786	4½ × 4½		10B
69276	TA786	4½ × 4½		15
69278	TA786	5 × 4		15
69279	TA786	5 × 4		26D
69282	TA786	5 × 4½		26D
69297	TA786	5 × 5		26D
70118	TA786	4½ × 4½	ETNRP	26D
75230	HTA786	4½ × 4		26D
75235	TA786	4½ × 4½	NRP	15
75240	TA786	4½ × 4½	NRP	26D

**Standard Weight 3K Hinges**

SKU	Catalog Number	Size	Options	Finishes
69353	TA314	4½ × 4		32D
69356	TA314	4½ × 4½	NRP	32D
69363	HTA314	4½ × 4½		32D
69368	TA314	4½ × 4½		32D
56402	TA314	4½ × 4	NRP	32D
69489	HTA314	4½ × 4		32D
69625	TA714	5 × 4		26D
69132	T714	4½ × 4½		26D
69177	TA714	3½ × 3½		26D
69188	TA714	3½ × 3½		15
69192	TA714	4 × 4		26D
69203	TA714	4½ × 4	CC4	26D
69207	TA714	4½ × 4		26D
69212	TA714	4½ × 4		10B
69215	TA714	4½ × 4		26
69222	TA714	4½ × 4½		26D
69223	TA714	4½ × 4½		P
69226	TA714	4½ × 4½		10
69227	TA714	4½ × 4½		10B
69228	TA714	4½ × 4½		15
69230	TA714	4½ × 4½		26
69232	TA714	4½ × 4½		3
69233	HTA714	4½ × 4½		26D
69236	TA714	4½ × 4½		10A
69237	TA714	5 × 4½		26D
69266	TA714	4½ × 4½	CC4	26D
56403	TA714	4½ × 4		15
70109	TA714	4½ × 4	ET	26D
70146	TA714	4½ × 4½	NRP	26D
70340	TA714	4½ × 4½	ET	26D
74201	TA714	4½ × 4	NRP	26D
74283	TA714	4½ × 4	NRP	26D
74350	HTA714	4½ × 4		26D

**Swing Clear Standard Weight 5K Hinges**

SKU	Catalog Number	Size	Options	Finishes
57006	TA2895	4½		26D
57011	TA2895	4½		26
57041	TA4895	4½		26D

**Swing Clear Standard Weight 5K Hinges**

SKU	Catalog Number	Size	Options	Finishes
57710	TA2772	4½		P
57717	TA2772	4½		26D
57833	TA2772	5		26D
57880	TA2774	4½		P
57884	TA2774	4½		26D

**Half Surface Heavy Weight 5K Hinges**

SKU	Catalog Number	Size	Options	Finishes
58107	T4A3782	4½		26D
58181	T4A3782	6	13/4 DR	26D
61563	T4A3382	4½		32D
72287	T4A3782	5		26D
72339	T4A3782	6	2¼ DR	26D

Heavy Weight 5K Hinges

SKU	Catalog Number	Size	Options	Finishes
58327	T4A3786	4½ × 4	NRP	4
58331	T4A3786	4½ × 4		26D
58337	T4A3786	4½ × 4	NRP	26D
58343	T4A3786	4½ × 4½		3
58344	T4A3786	4½ × 4½		4
58346	T4A3786	4½ × 4½		10B
58367	T4A3786	4½ × 4½		10A
58373	T4A3786	4½ × 4½		15
58375	T4A3786	4½ × 4½		P
58377	T4A3786	4½ × 4½		26
58379	T4A3786	4½ × 4½		10
58384	T4A3786	4½ × 4½		26D
58385	T4A3786	4½ × 4½		10B
58387	T4A3786	4½ × 4½	NRP	P
58388	T4A3786	4½ × 4½	NRP	26D
58396	HT4A3786	4½ × 4½		26D
58407	T4B3786	4½ × 4½		26D
58423	T4B3786	4½ × 4½	NRP	26D
58440	T4A3786	5 × 4½		P
58443	T4A3786	5 × 4½		26D
58445	T4A3786	5 × 4½		10
58449	T4A3786	5 × 4½	NRP	26D
58453	T4A3786	5 × 4½		10A
58462	HT4A3786	5 × 4½		26D
58464	T4A3786	5 × 4½		10B
58467	T4A3786	5 × 4½		26
58482	T4B3786	5 × 4½		26D
58522	T4A3786	5 × 5		26D
58532	T4A3786	5 × 5		10B
71118	T4A3786	4½ × 4½	CC4	26D
71136	T4A3786	5 × 4½	CC4	26D
71166	T4A3786	4½ × 4½	CC8	26
71508	T4A3786	5 × 4½	CC8	26D
72815	T4A3786	5 × 4½		15

Heavy Weight 5K Hinges continued

SKU	Catalog Number	Size	Options	Finishes
73216	T4A3786	4½ × 4½	QC4	26D
73274	T4A3786	4½ × 4½	QC6	26D
73332	T4A3786	4½ × 4½	QC8	26D
73336	T4A3786	5 × 4½	QC8	26D
61772	T4A3386	4½ × 4	NRP	32D
61779	T4A3386	4½ × 4		32D
61787	T4A3386	4½ × 4½		32D
61790	T4A3386	4½ × 4½		4
61791	T4A3386	4½ × 4½		32
61794	T4A3386	4½ × 4½		3
61795	T4A3386	4½ × 4½		10B
61804	T4A3386	4½ × 4½		26D
61810	T4A3386	4½ × 4½	NRP	P
61812	T4A3386	4½ × 4½	NRP	26D
61813	T4A3386	4½ × 4½	NRP	10
61814	T4A3386	4½ × 4½	NRP	32D
61815	T4A3386	4½ × 4½	NRP	10B
61820	HT4A3386	4½ × 4½		32D
61849	T4B3386	4½ × 4½	NRP	32D
61861	T4A3386	5 × 4½	NRP	10B
61862	T4A3386	5 × 4½		10
61868	T4A3386	5 × 4½		32D
61871	T4A3386	5 × 4½	NRP	32D
61946	T4A3386	5 × 5	NRP	32D
61947	T4A3386	5 × 5	NRP	10B
67319	TCA3786	4½ × 4½		26D
67346	TCA3786	5 × 4½		26D
68822	T4A3386	6 × 5	NRP	32D
63240	BP-10 Hinge Back Plate	4½		26D
63247	BP-10	5		26D
63330	CENTER HUNG	CSS-9 53/4		26D
63332	OFFSET HUNG	CSS-9 53/4		26D
63345	DS-6	DS-6 26D		26D
63346	EP-5J	EP-5J 26D		26D
63539	PH-4	PH-4 26D		26D

**Miscellaneous Hardware**

SKU	Catalog Number	Size	Finishes
63293	CSS-9 OFFSET HUNG	5 $\frac{7}{8}$	26D
63313	CSS-9 CENTER HUNG	5 $\frac{7}{8}$	26D
63315	DLS-8 CENTER HUNG	5 $\frac{3}{4}$	26D
63316	DLS-8 CENTER HUNG	6 $\frac{3}{4}$	26D
63319	DLS-8 OFFSET HUNG	5 $\frac{3}{4}$	26D
63331	CSS-9 CENTER HUNG	6 $\frac{3}{4}$	26D

**Standard Weight 2K Hinges**

SKU	Catalog Number	Size	Options	Finishes
65579	TA2731	4 $\frac{1}{2}$ x 4	RH	26D
65580	TA2731	4 $\frac{1}{2}$ x 4	LH	26D
65623	TA2731	4 $\frac{1}{2}$ x 4	RH	26D
65624	TA2731	4 $\frac{1}{2}$ x 4	LH	26D
66867	T2731	4 $\frac{1}{2}$ x 4	RH	D3
66868	T2731	4 $\frac{1}{2}$ x 4	LH	D3
66873	T2731	4 $\frac{1}{2}$ x 4	RH	D4
66874	T2731	4 $\frac{1}{2}$ x 4	LH	D4
66885	T2731	4 $\frac{1}{2}$ x 4	LH	26
66886	T2731	4 $\frac{1}{2}$ x 4	RH	26
66903	T2731	4 $\frac{1}{2}$ x 4	RH	26D
66925	T2731	4 $\frac{1}{2}$ x 4	RH	26D
66926	T2731	4 $\frac{1}{2}$ x 4	LH	26D
80616	TA2731	4 $\frac{1}{2}$ x 4	RH	D3
80616-1	TA2731	4 $\frac{1}{2}$ x 4	LH	D3

**Half Surface Standard Weight 3K Hinges**

SKU	Catalog Number	Size	Options	Finishes
74466	TA772	4 $\frac{1}{2}$		26D

**Swing Clear Heavy Weight 3K Hinges**

SKU	Catalog Number	Size	Options	Finishes
75381	TA795	5		26D
75476	TA795	4 $\frac{1}{2}$		26D

**Anchor Hinge Heavy Weight 3K Hinges**

SKU	Catalog Number	Size	Options	Finishes
75492	TA792	5 x 4 $\frac{1}{2}$	RH	26D
75493	TA792	5 x 4 $\frac{1}{2}$	LH	26D
75500	TA392	5 x 4 $\frac{1}{2}$	RH	32D
75501	TA392	5 x 4 $\frac{1}{2}$	LH	32D
75532	TA5792	5 x 4 $\frac{1}{2}$	RH	26D
75533	TA5792	5 x 4 $\frac{1}{2}$	LH	26D
75544	TA5392	5 x 4 $\frac{1}{2}$	RH	32D
75545	TA5392	5 x 4 $\frac{1}{2}$	LH	32D
75581	TA5393	5 x 4 $\frac{1}{2}$	RH	32D
75582	TA5393	5 x 4 $\frac{1}{2}$	LH	32D

**MacPro Hinges**

SKU	Catalog Number	Size	Options	Finishes
76312	MPB79	4 $\frac{1}{2}$ x 4 $\frac{1}{2}$		3
76313	MPB79	4 $\frac{1}{2}$ x 4 $\frac{1}{2}$	NRP	3
76314	MP79	4 $\frac{1}{2}$ x 4		4
76315	MP79	4 $\frac{1}{2}$ x 4	NRP	4
76316	MPB79	4 $\frac{1}{2}$ x 4 $\frac{1}{2}$		4
76317	MPB79	4 $\frac{1}{2}$ x 4 $\frac{1}{2}$	NRP	4
76324	MPB79	4 $\frac{1}{2}$ x 4 $\frac{1}{2}$		10B
76325	MPB79	4 $\frac{1}{2}$ x 4 $\frac{1}{2}$	NRP	10B
76328	MPB79	4 $\frac{1}{2}$ x 4 $\frac{1}{2}$		26
76330	MP79	4 $\frac{1}{2}$ x 4		26D
76331	MP79	4 $\frac{1}{2}$ x 4	NRP	26D
76332	MPB79	4 $\frac{1}{2}$ x 4 $\frac{1}{2}$		26D
76333	MPB79	4 $\frac{1}{2}$ x 4 $\frac{1}{2}$	NRP	26D
76334	MP79	4 $\frac{1}{2}$ x 4		P
76335	MP79	4 $\frac{1}{2}$ x 4	NRP	P
76336	MPB79	4 $\frac{1}{2}$ x 4 $\frac{1}{2}$		P
76337	MPB79	4 $\frac{1}{2}$ x 4 $\frac{1}{2}$	NRP	P

**MacPro Hinges 5K Hinges continued**

SKU	Catalog Number	Size	Options	Finishes
76340	MPB91	4½ x 4½		32D
76341	MPB91	4½ x 4½	NRP	32D
76344	MP79	4½ x 4½		3
76346	MPB79	4½ x 4		4
76347	MPB79	4½ x 4	NRP	4
76348	MP79	4½ x 4½		4
76349	MP79	4½ x 4½	NRP	4
76356	MP79	4½ x 4½		10B
76357	MP79	4½ x 4½		10B
76360	MP79	4½ x 4½	NRP	26
76362	MPB79	4½ x 4		26D
76363	MPB79	4½ x 4	NRP	26D
76364	MP79	4½ x 4½		26D
76365	MP79	4½ x 4½	NRP	26D
76366	MPB79	4½ x 4		P
76367	MPB79	4½ x 4	NRP	P
76368	MP79	4½ x 4½		P
76369	MP79	4½ x 4½	NRP	P
76374	MPB68	4½ x 4½		26D
76375	MPB68	4½ x 4½	NRP	26D
76376	MPB99	4½ x 4½		32D
76377	MPB99	4½ x 4½	NRP	32D
76378	MPS60	4½ x 4½		26D
76379	MPB679	4½ x 4½		26D
76380	MPS60	4½ x 4½		P
81306	HTB386	4½ x 4		32D

**Electric Hinges**

SKU	Catalog Number	Size	Options	Finishes
55669	TA2714	4½ x 4	CC4	26D
55885	TA2714	4½ x 4½	CC4	26D
55904	TA2714	4½ x 4½	CC8	26D
71120	TA2714	4½ x 4½	CC6	26D
71469	TA2714	4½ x 4½	CC8	26D
73192	TA2714	4½ x 4½	QC4	26D
73254	TA2714	4½ x 4½	QC6	26D
73312	TA2714	4½ x 4½	QC8	26D
73370	TA2714	4½ x 4½	QC12	26D

**Electric Hinges continued**

SKU	Catalog Number	Size	Options	Finishes
69203	TA714	4½ x 4	CC4	26D
69266	TA714	4½ x 4½	CC4	26D
71118	T4A3786	4½ x 4½	CC4	26D
71136	T4A3786	5 x 4½	CC4	26D
71166	T4A3786	4½ x 4½	CC8	26D
71508	T4A3786	5 x 4½	CC8	26D
73216	T4A3786	4½ x 4½	QC4	26D
73274	T4A3786	4½ x 4½	QC6	26D
73332	T4A3786	4½ x 4½	QC8	26D
73336	T4A3786	5 x 4½	QC8	26D

**ElectroLynx® Accessories**

SKU	Catalog Number	Description	Size
93978	QC-RM4	MALE PLUG	(4CKT)
93979	QC-RM8	MALE PLUG	(8CKT)
93980	QC-MT2024	MALE TERMINAL	(AWG 20-24)
93981	QC-C003	12 WIRE 22AWG	3 INCH
93982	QC-C006	12 WIRE 22AWG	6 INCH
93983	QC-C012	12 WIRE 22AWG	12 INCH
93984	QC-C200	12 WIRE 22AWG	26 INCH
93985	QC-C206	12 WIRE 22AWG	32 INCH
93986	QC-C300	12 WIRE 22AWG	38 INCH
93987	QC-C306	12 WIRE 22AWG	44 INCH
93988	QC-C400	12 WIRE 22AWG	50 INCH
93989	QC-C1500	12 WIRE 22AWG	15 FT, 2 IN.
93990	QC-C003P	12 WIRE 22AWG	3 INCH
93991	QC-C006P	12 WIRE 22AWG	6 INCH
93992	QC-C012P	12 WIRE 22AWG	12 INCH
93993	QC-C200P	12 WIRE 22AWG	26 INCH
93994	QC-C206P	12 WIRE 22AWG	32 INCH
93995	QC-C300P	12 WIRE 22AWG	38 INCH
93996	QC-C306P	12 WIRE 22AWG	44 INCH
93997	QC-C400P	12 WIRE 22AWG	50 INCH
93998	QC-C1500P	12 WIRE 22AWG	15 FT, 2 IN.
73002		FINISH SAMPLE CASE	



---

225 Episcopal Road, Berlin, CT 06037 • Phone: 800.346.7707 • Fax: 800.541.1073 • [www.McKinneyhinge.com](http://www.McKinneyhinge.com)  
Founded in 1864, McKinney Products Company is a market leader in the manufacture of quality architectural grade hinges including security hinges, and continuous hinges.

Copyright © 2012, McKinney Products Company, an ASSA ABLOY Group company. All rights reserved.  
Reproduction in whole or in part without the express written permission of McKinney Products Company is prohibited.

ASSA ABLOY is the global leader in door opening solutions, dedicated to satisfying end-user needs for security, safety and convenience.

**McKinney**  
**ASSA ABLOY**

ASSA ABLOY, the global leader  
in door opening solutions

51510 11/2012